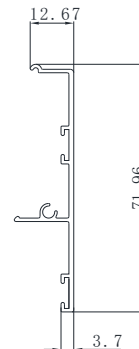
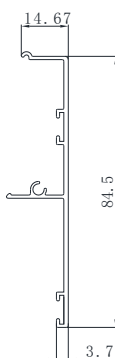
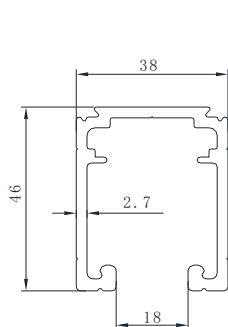
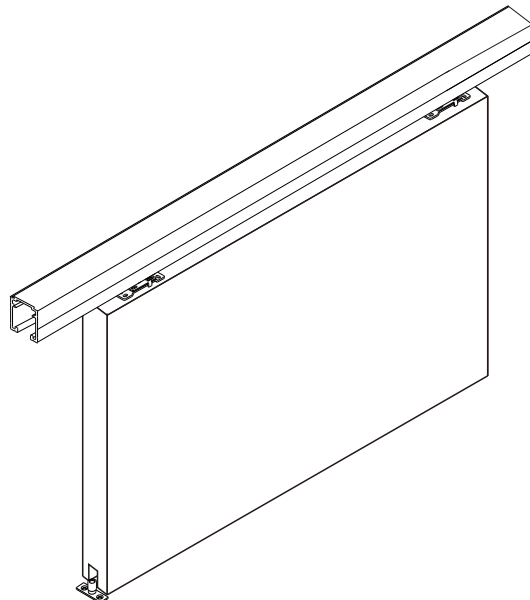


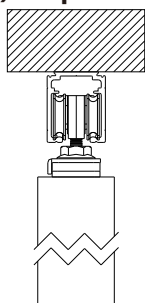
INSTALLATION INSTRUCTIONS FOR KT90OPENSOFTCLOSE-220

****For doors between 80 and 100 KGS in weight only****

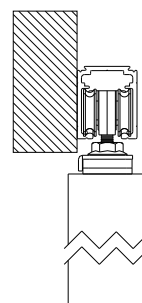


1. Mounting type of track

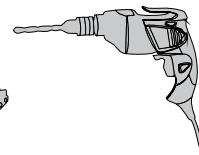
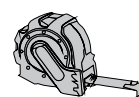
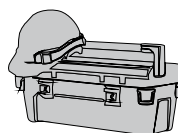
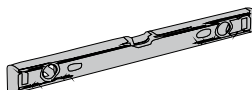
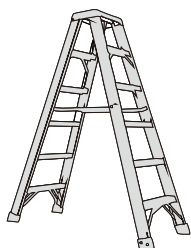
(1) Top Mount



(1) Wall Mount

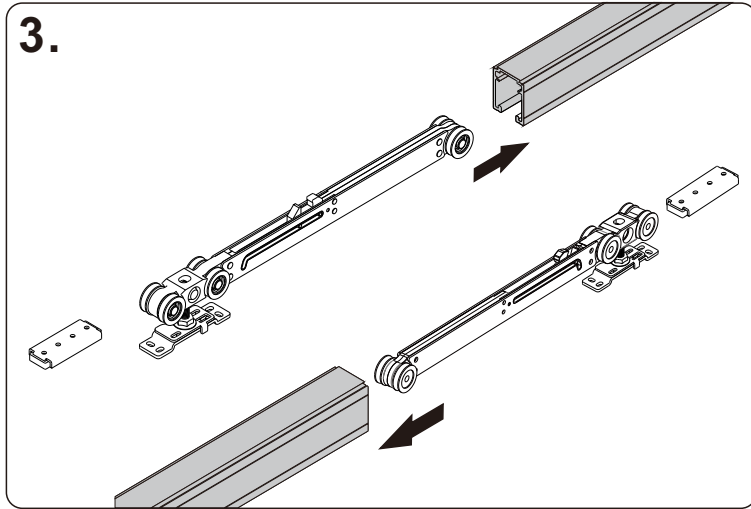


2. Tools Required

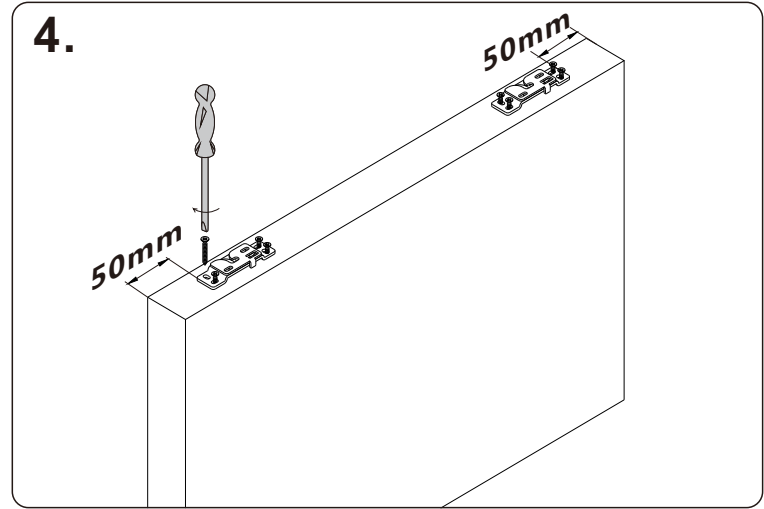


installation steps:

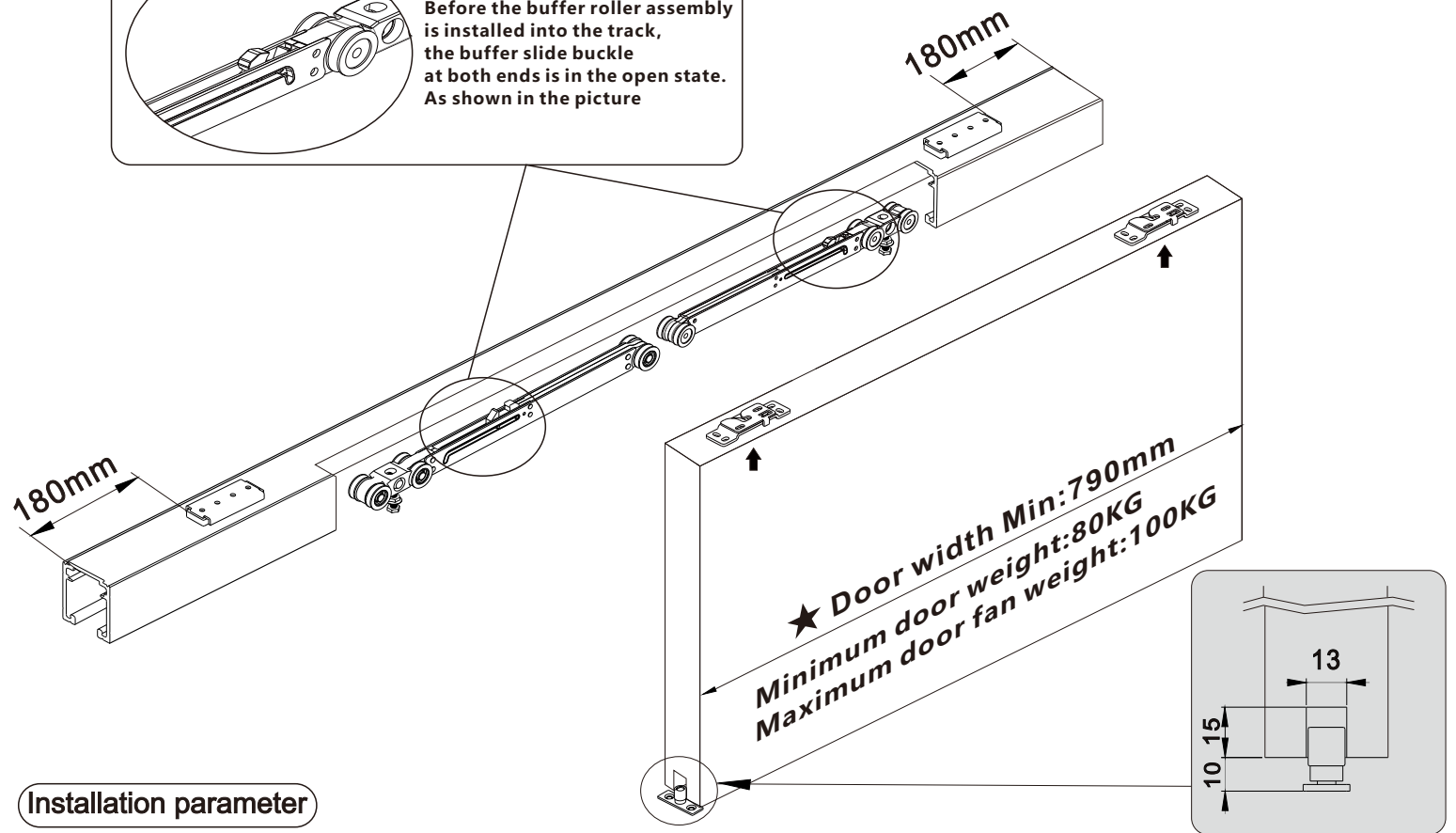
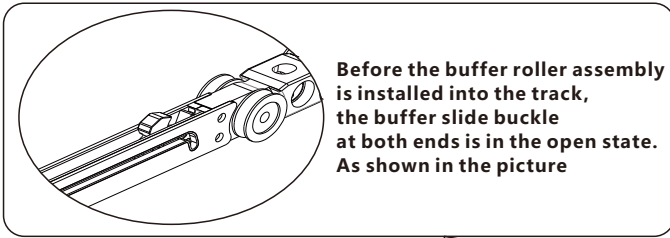
3.



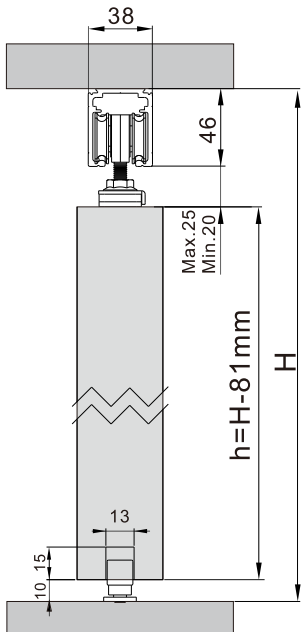
4.



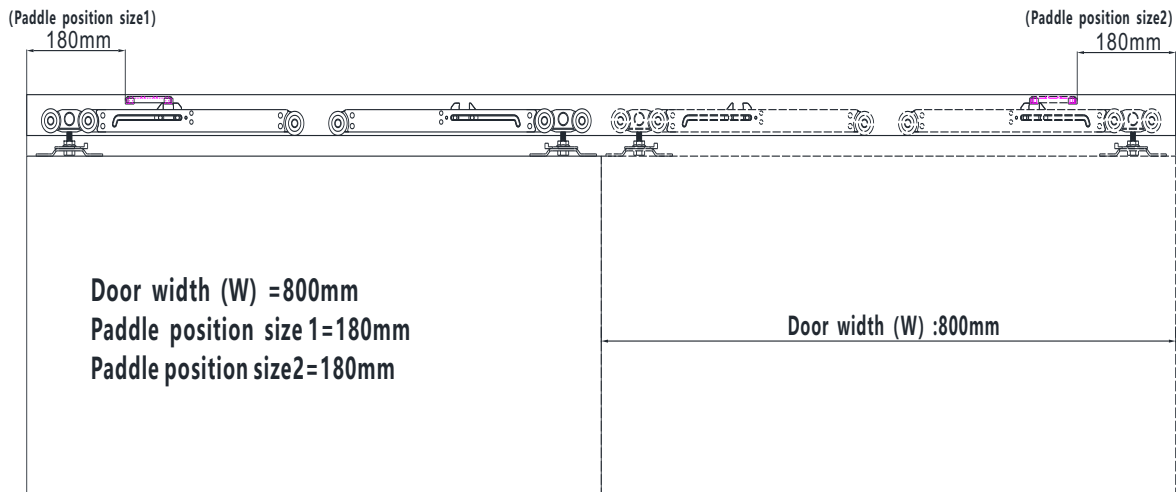
5.



Installation parameter



Example :



Door width (W) =800mm
 Paddle position size 1=180mm
 Paddle position size2=180mm

Door width (W) :800mm