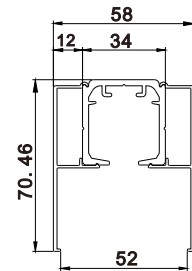
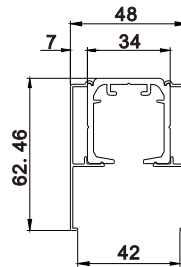
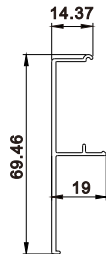
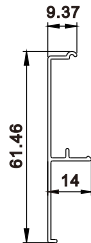
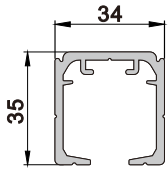
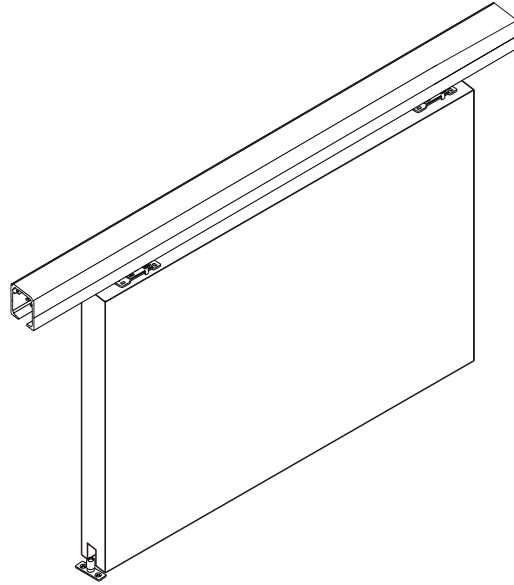


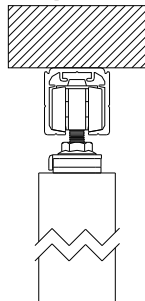
INSTALLATION INSTRUCTIONS FOR KT60OPENSOFTCLOSE-176

****For doors between 60 and 80 KGS in weight only****

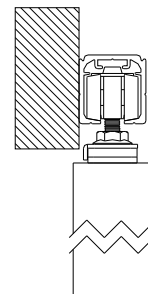


1. Mounting type of track

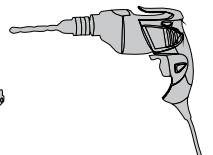
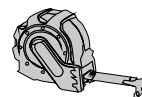
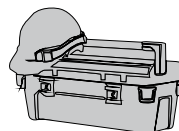
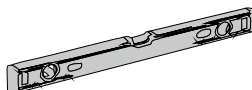
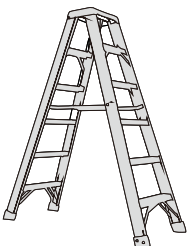
(1) Top Mount



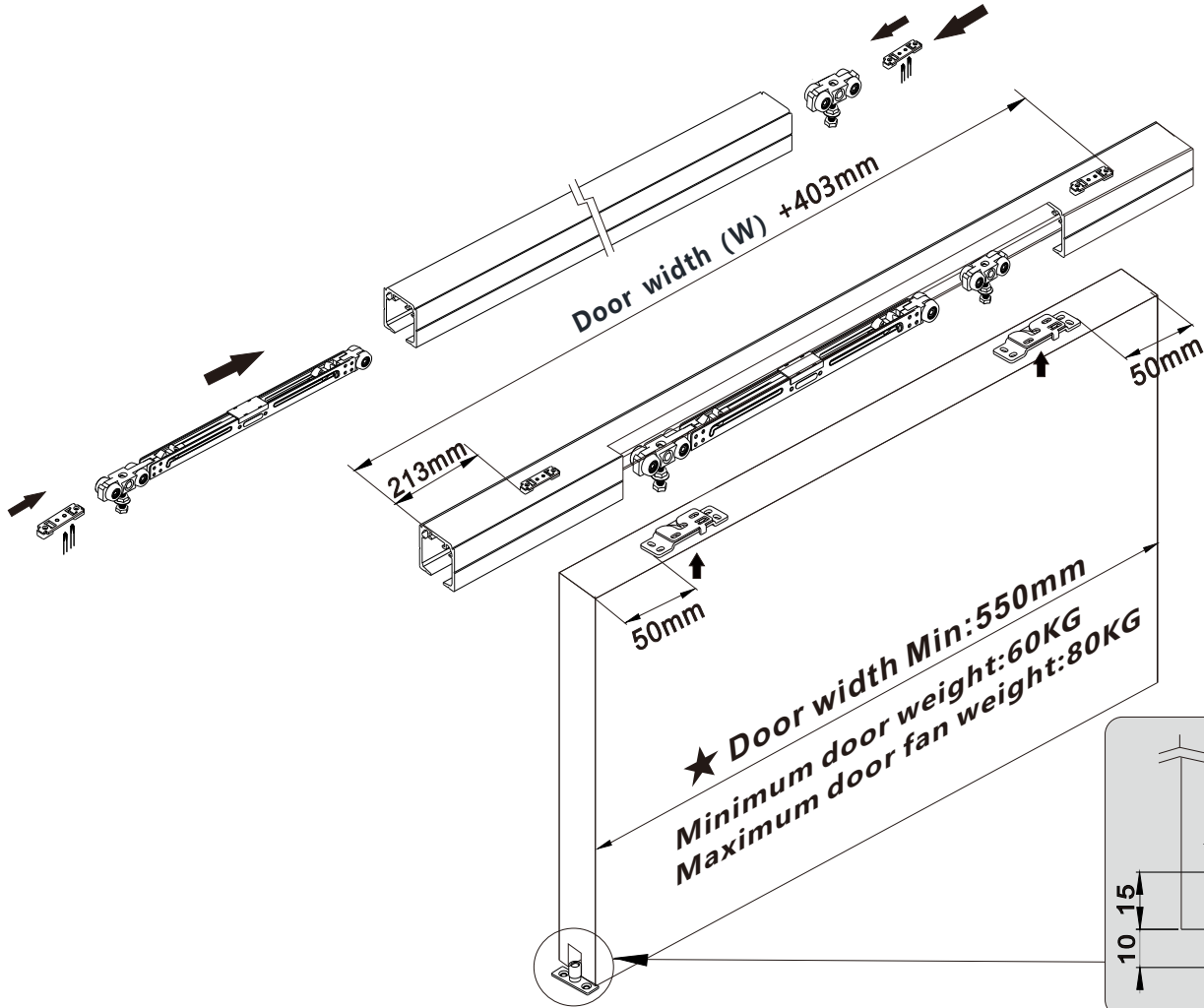
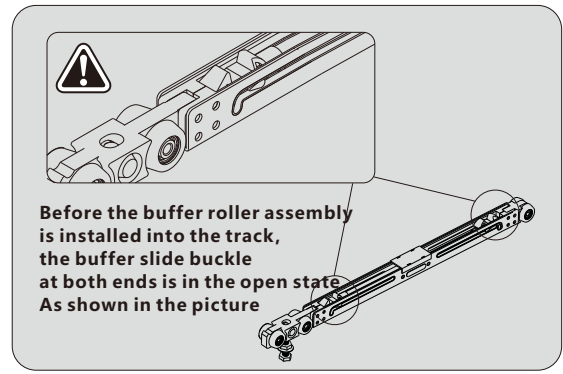
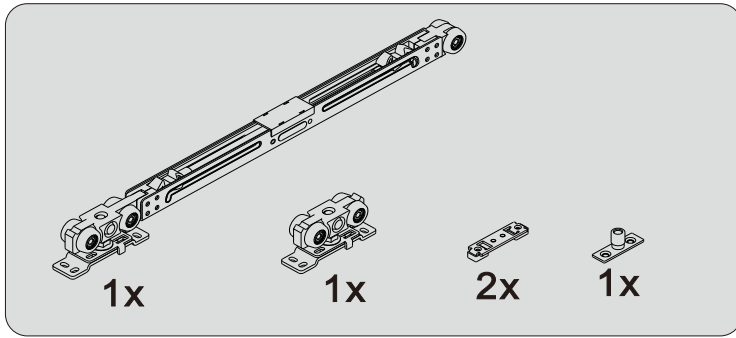
(1) Wall Mount



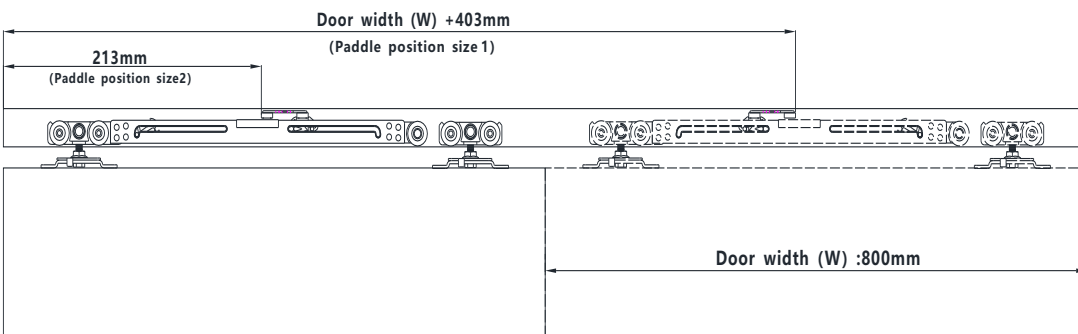
2. Tools Required



1. Bracket Installation Diagram



Example :



Door width (W) + 403mm = Paddle position size 1
 Door width (W) = 800mm
 $800 + 403 = 1203\text{mm}$
 Paddle position size 1 = 1203mm
 Paddle position size 2 = 213mm

