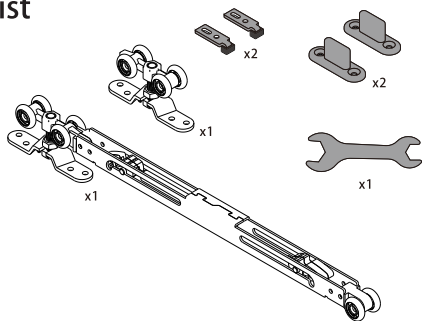


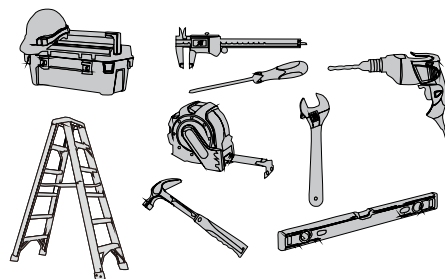
INSTALLATION INSTRUCTIONS FOR KT38OPENSOFTCLOSE-132

For doors between 40 and 60 KGS in weight only

Parts List

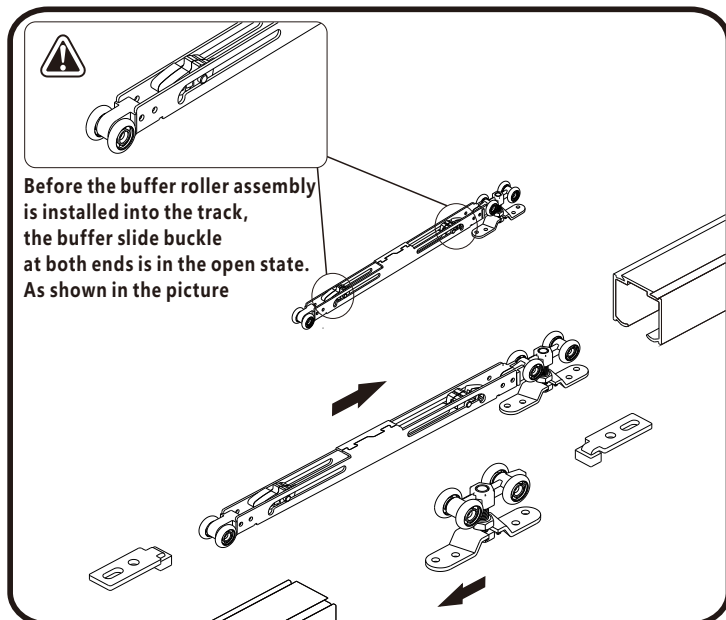


Installation preparation tools

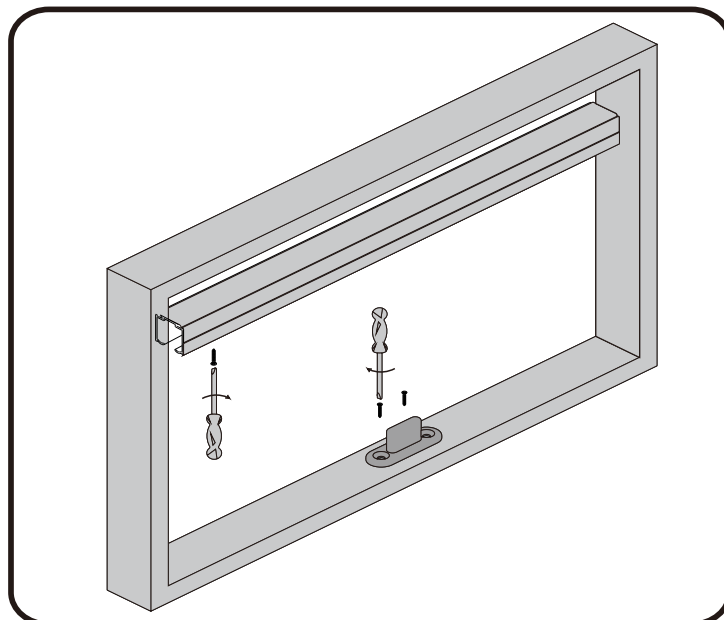


INSTALLATION steps:

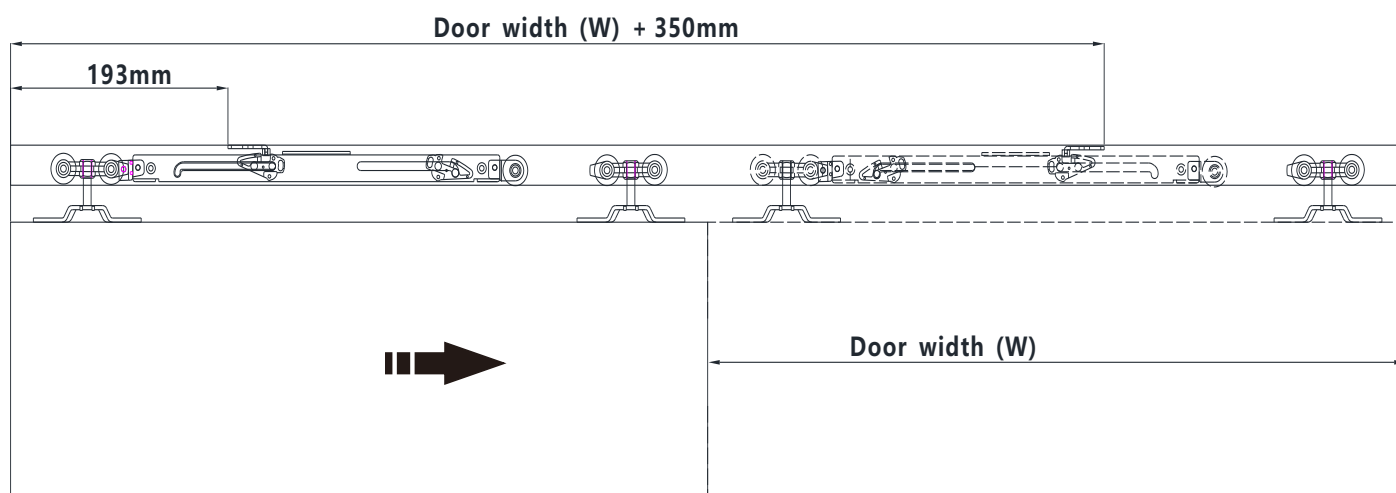
1 Install the roller and trigger



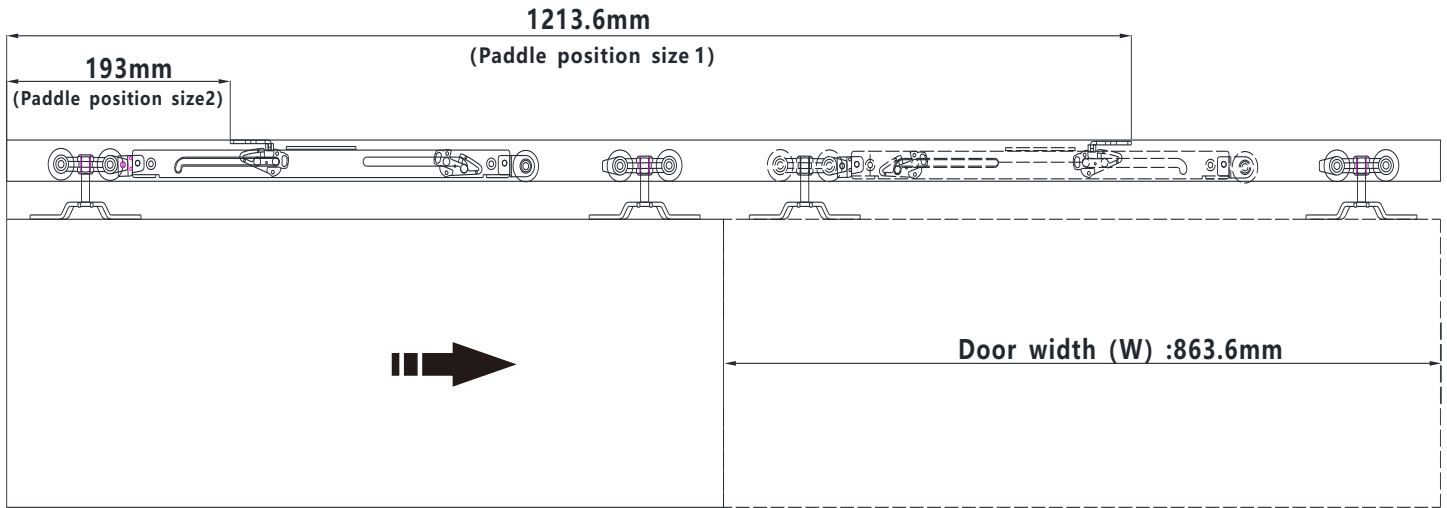
2 Installation track and bottom guide



Trigger installation Size



Example :



Door width (W) + 350mm = Paddle position size 1

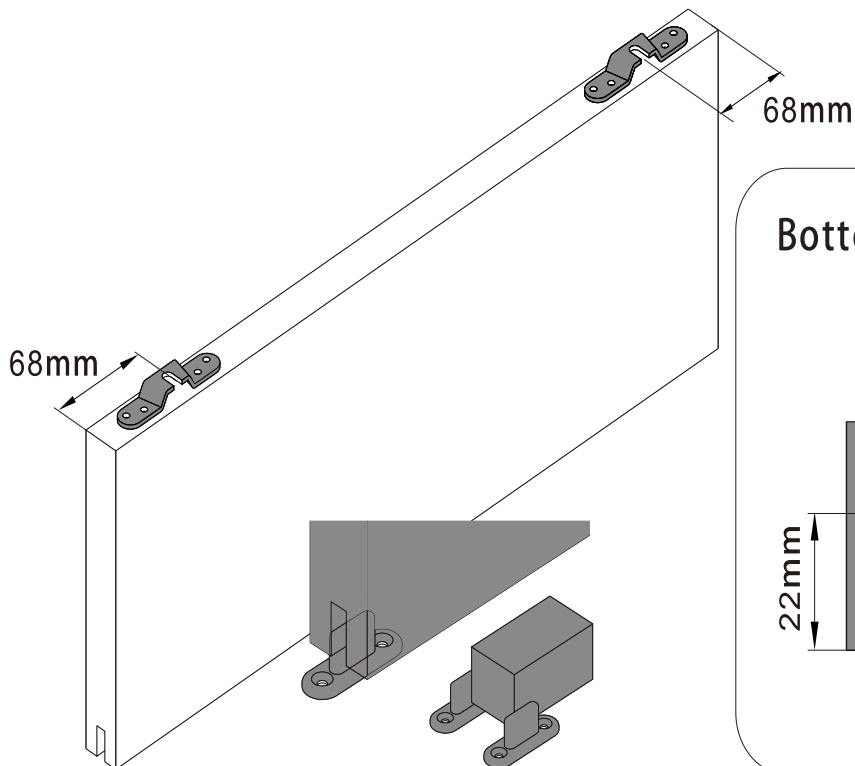
Door width (W) = 863.6mm

$863.6 + 350 = 1213.6\text{mm}$

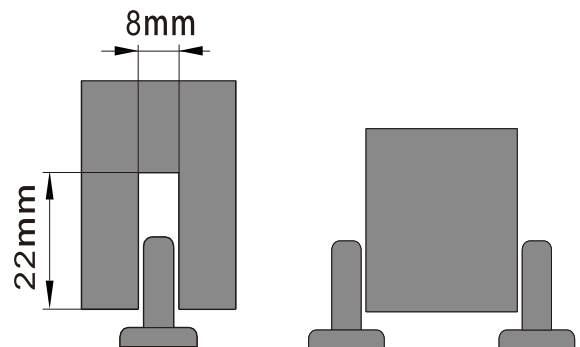
Paddle position size 1 = 1213.6mm

Paddle position size 2 = 193mm

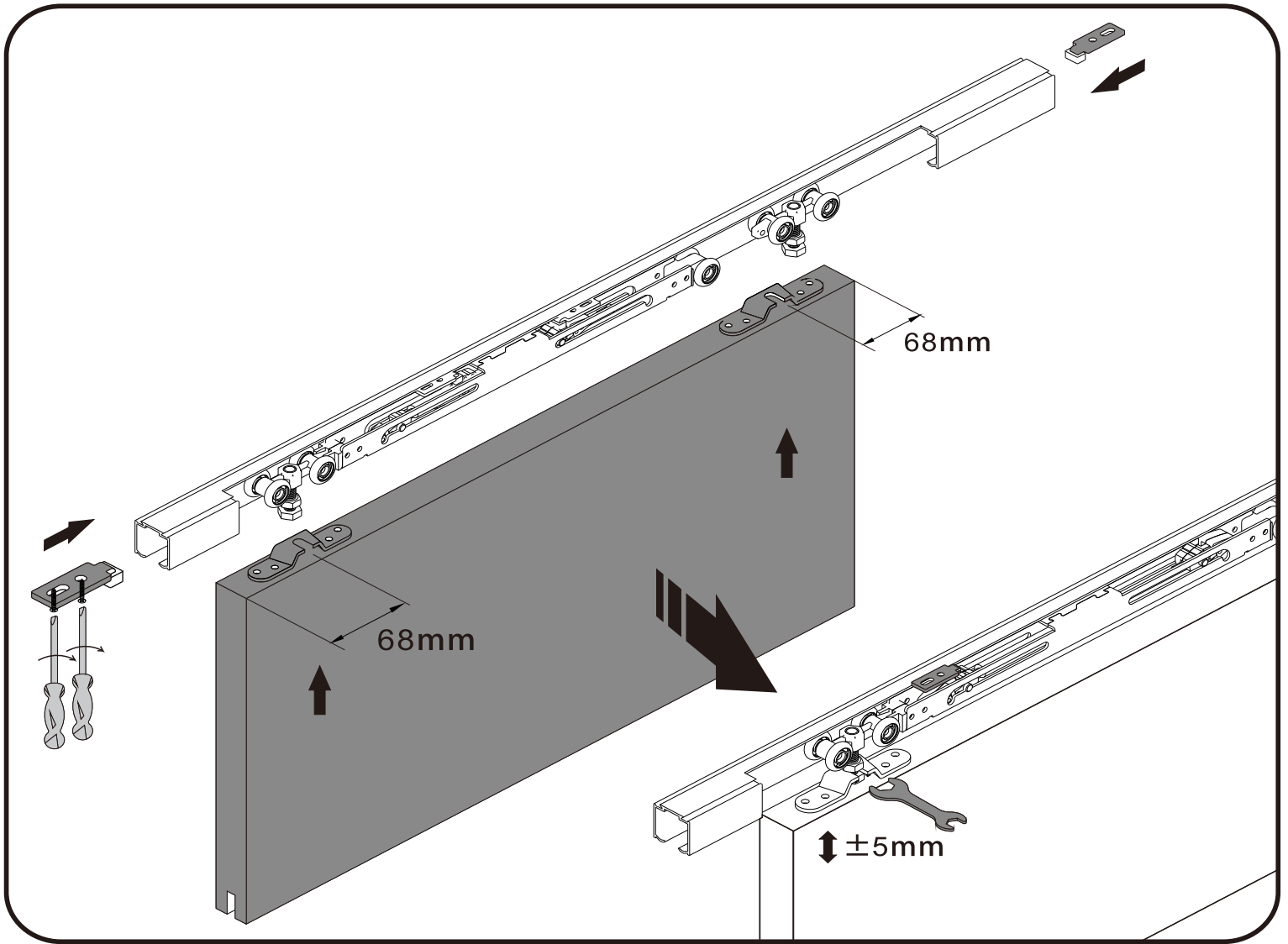
3 Bracket installation size



Bottom guide installation size



4 Hang up the door



5 Installation parameters

