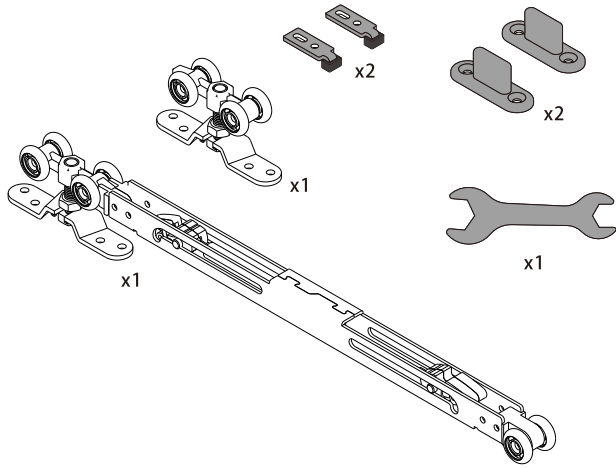
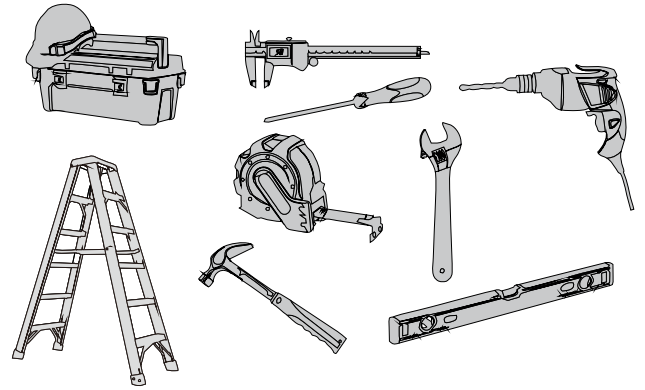


INSTALLATION INSTRUCTIONS FOR KT38SOFTCLOSE

Parts List

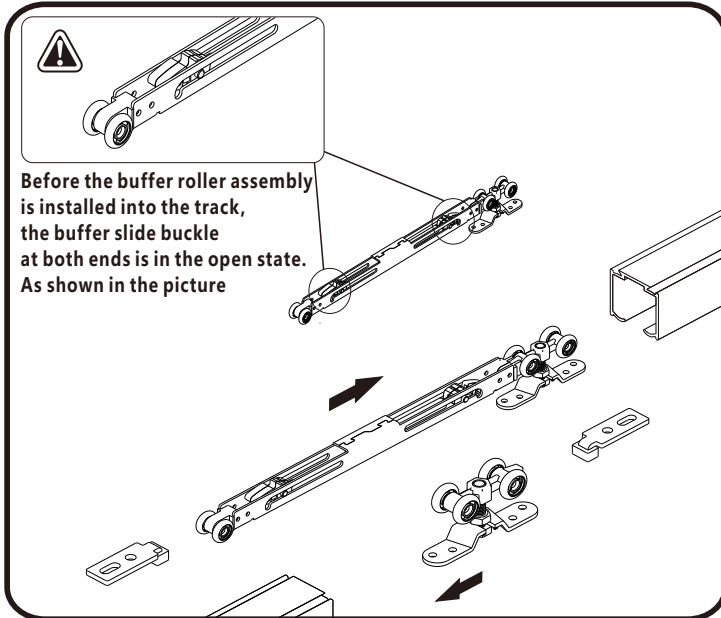


Installation preparation tools

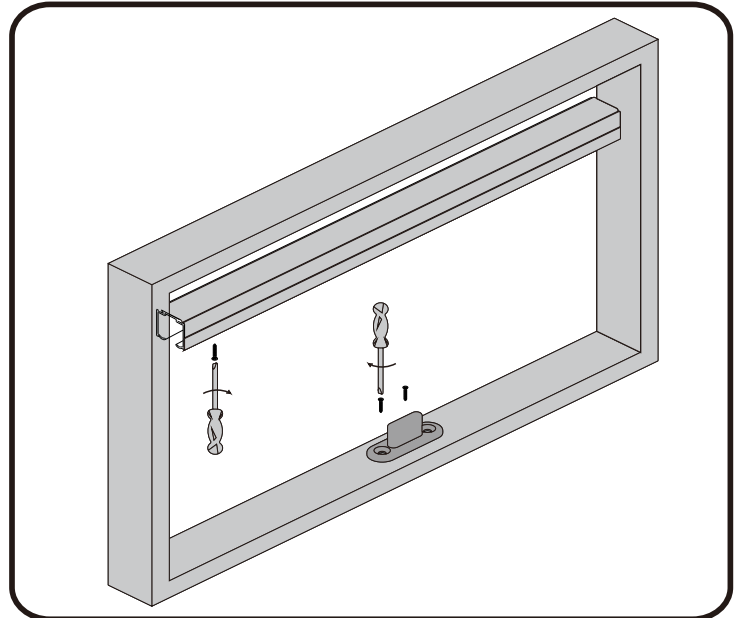


INSTALLATION steps:

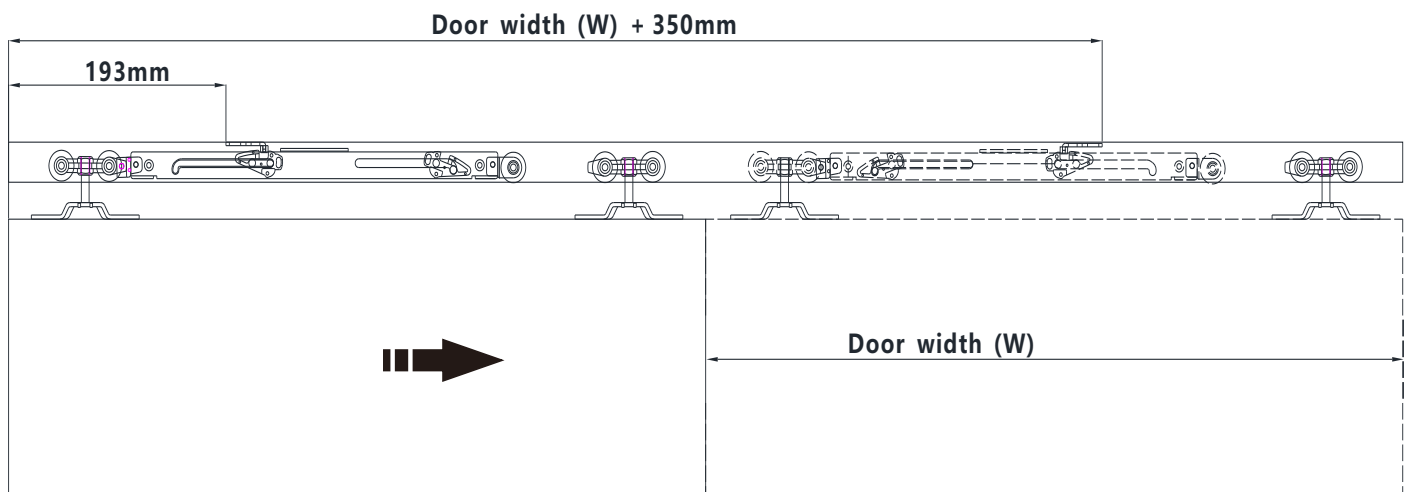
1 Install the roller and trigger



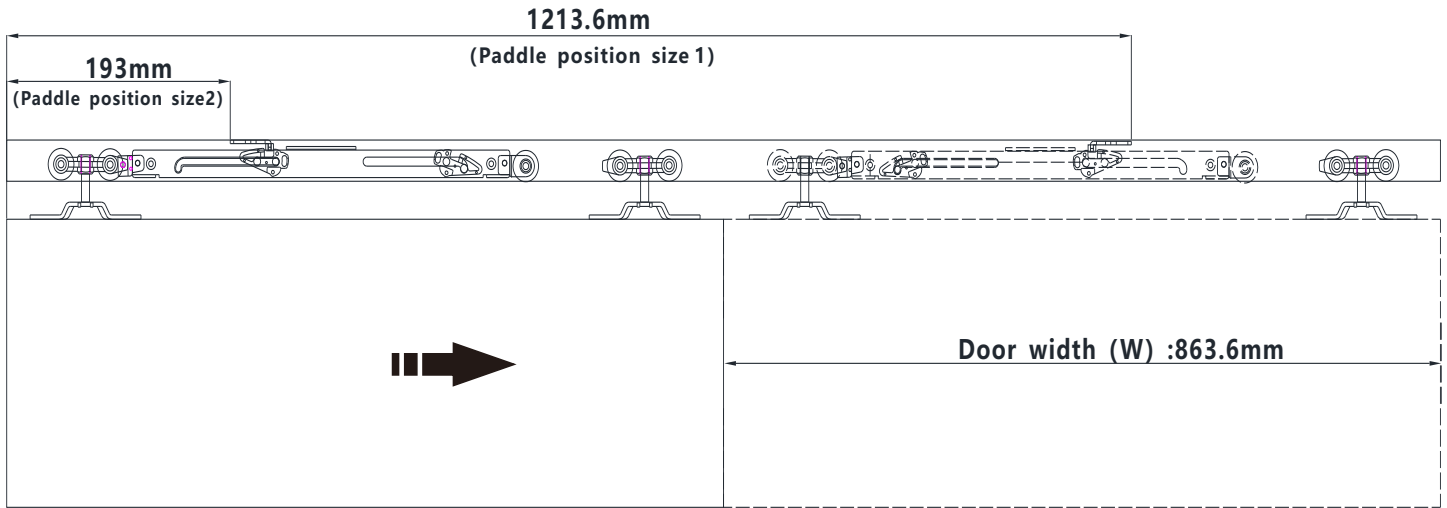
2 Installation track and bottom guide



Trigger installation Size



Example :



Door width (W) + 350mm=Paddle position size 1

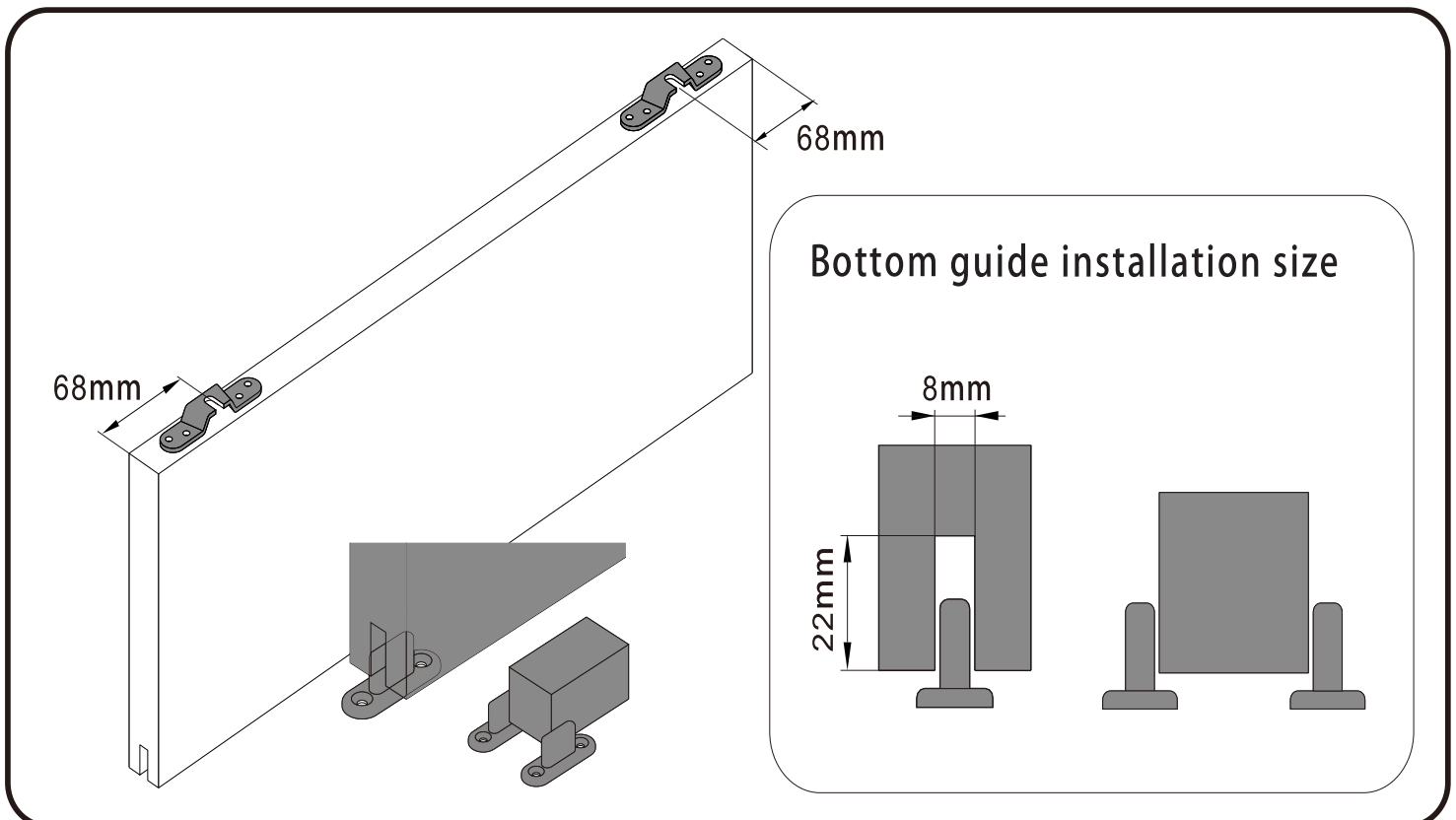
Door width (W) =863.6mm

863.6+350=1213.6mm

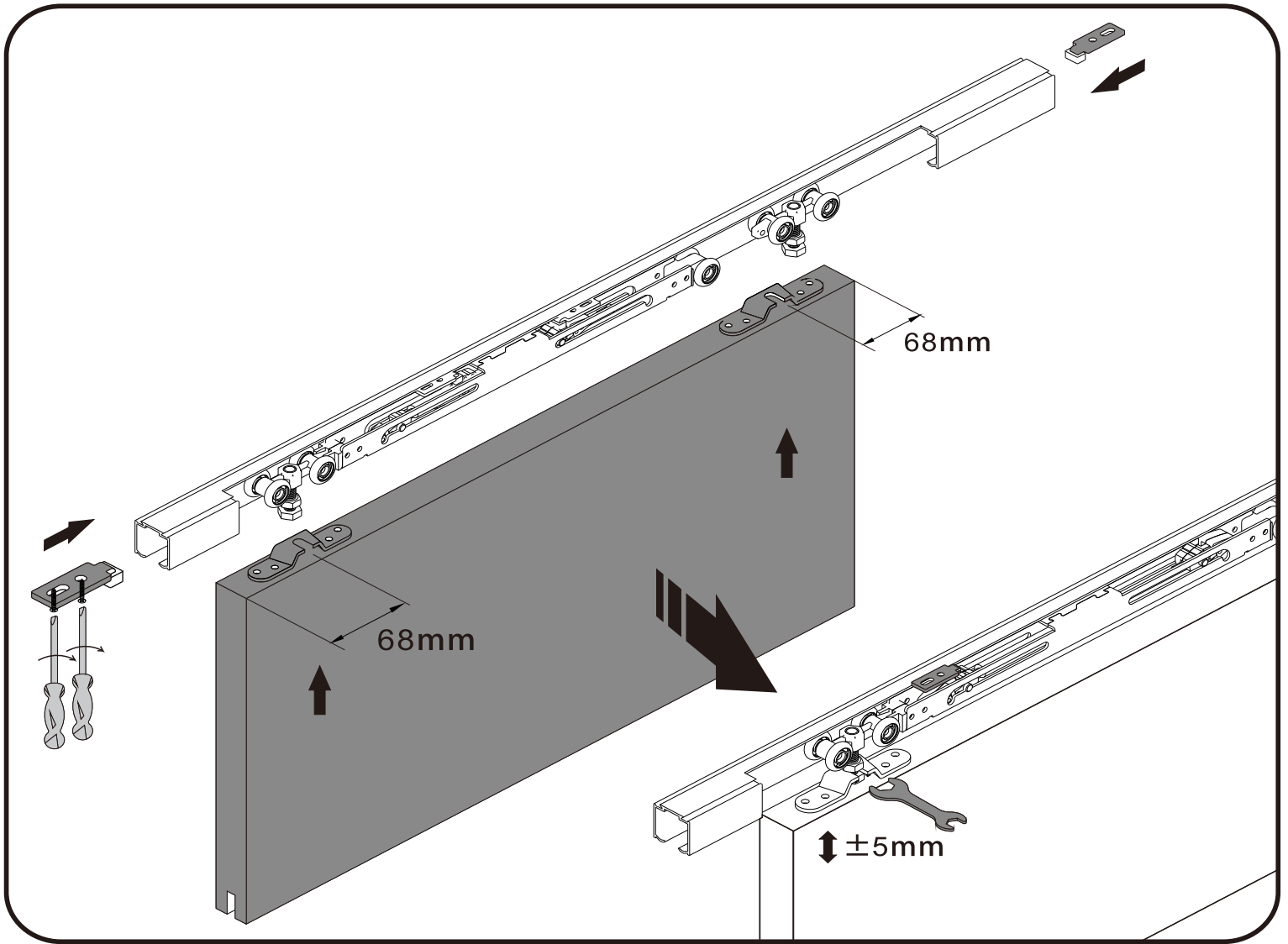
Paddle position size 1=1213.6mm

Paddle position size2=193mm

3 Bracket installation size



4 Hang up the door



5 Installation parameters

