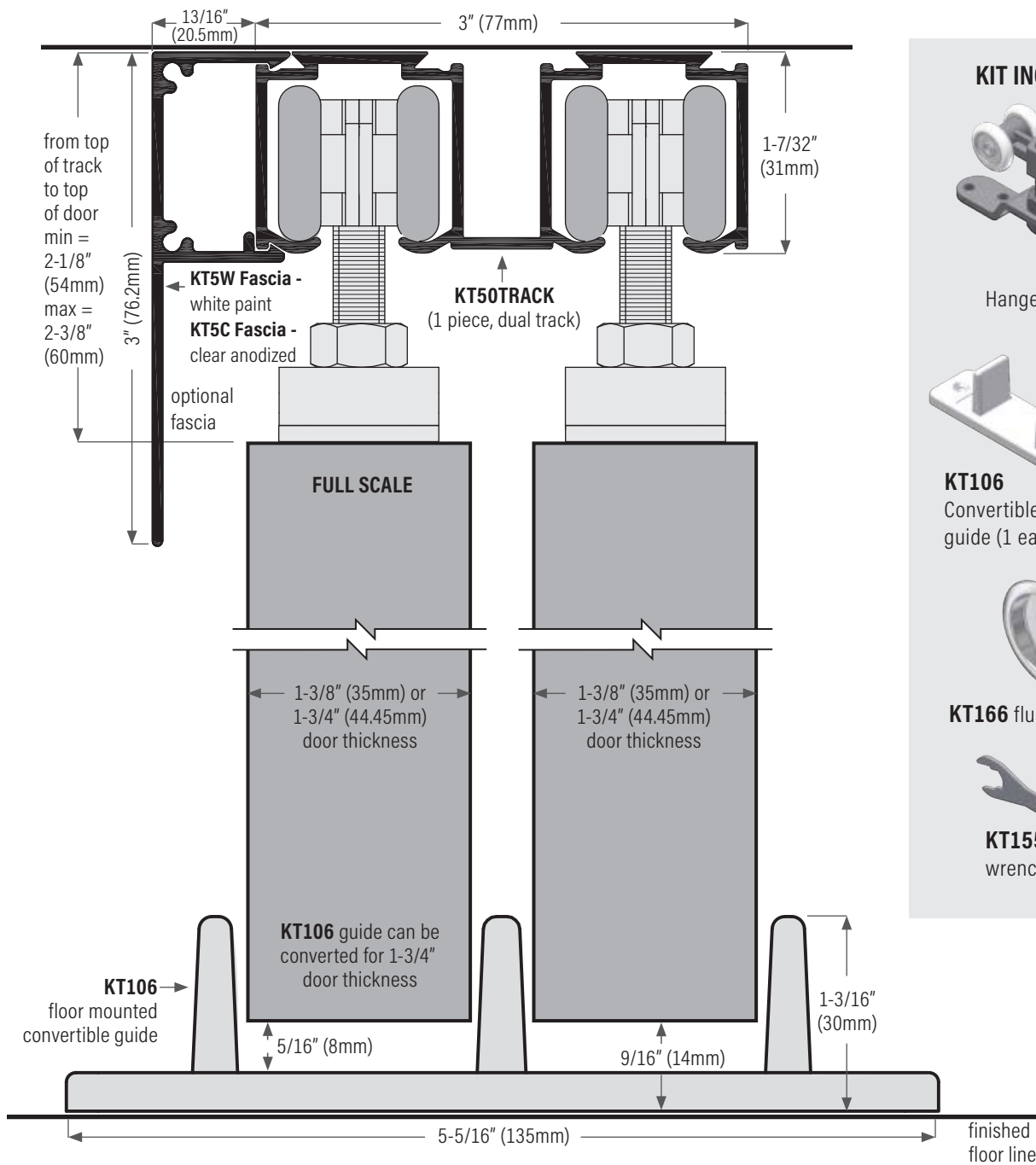


# KT50 Series: Track For Bypass Sliding Door, Ceiling Mount

<b>MAXIMUM CAPACITY:</b>	Width and height of the door may vary beyond standard sizes, provided the weight of the door does not exceed the maximum hanger weight listed. Weight check on door panel should always be performed by either manually weighing the door or checking manufacturing specs.
<b>VERTICAL ADJUSTMENT:</b>	1/4" (6.4mm)
<b>TRACK:</b>	Extruded aluminum, mill finish.
<b>HANGER:</b>	Steel plated or cast carrier, 4 nylon wheels, ball bearing.
<b>OPTIONS:</b>	KT20 extruded aluminum channel with KT120 steel plate, nylon swivel guide, minimum door thickness 1-3/8" (35mm) when using guide channel. Oblong flush pulls size 1-5/8" (410mm) x 4-1/2" (1143mm) available in finishes, KT174DCH (dull chrome), KT174BRZ powder coat bronze, KT174CH bright chrome.



**KIT INCLUDES:**

- Hangers (4 ea)
- KT106**  
Convertible floor guide (1 ea)
- KT166** flush pull (2 ea)
- KT155**  
wrench (1 ea)

# KT50 Series: Track For Bypass Sliding Door, Ceiling Mount

## One Track, Two Hanger Choices:



### KT58KIT for 2 door application:

KT38HANGER (4 ea) hangers, KT106 (1 ea) convertible floor mounted guide, KT166 (2 ea) chrome finger pulls, KT155 (1 ea) wrench, installation sheet plus all screws.

**Residential, max door weight: 132 lbs. (60 kg) = 2 hangers**

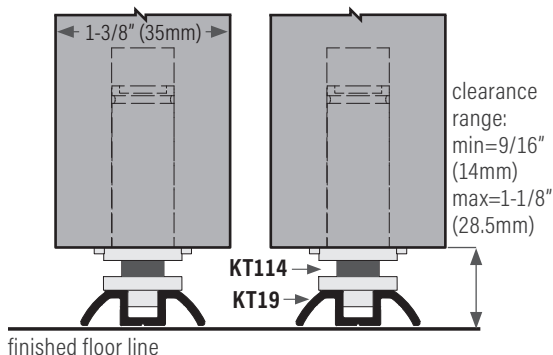
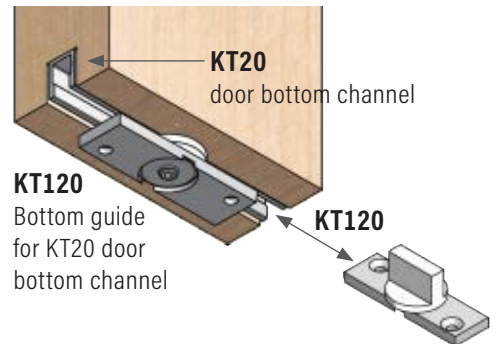
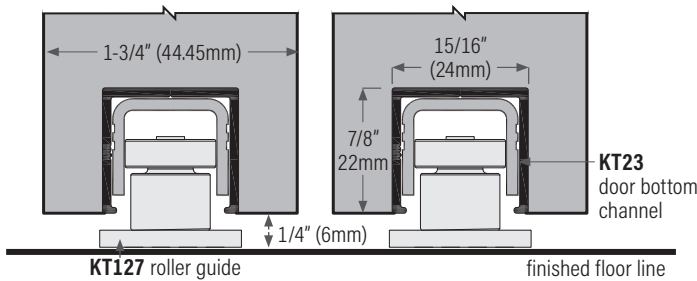


### KT50KIT for 2 door application:

KT40HANGER (4 ea) hangers, KT106 (1 ea) convertible floor mounted guide, KT166 (2 ea) chrome finger pulls, KT155 (1 ea) wrench, installation sheet plus all screws.

**Commercial, max door weight: 220 lbs. (100 kg) = 2 hangers**

## OPTIONS



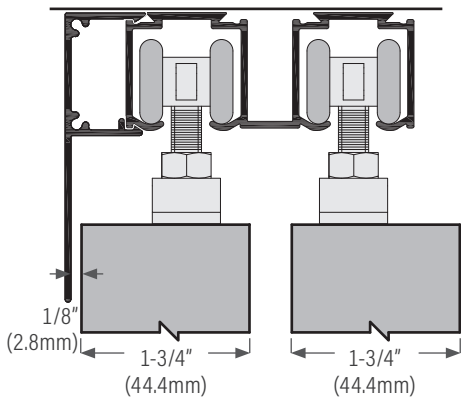
**KT114** Bottom guide (plastic), spring loaded, for **KT19** floor channel

**KT124** Intrack hanger stop for KT55 & KT58 kit only, optional

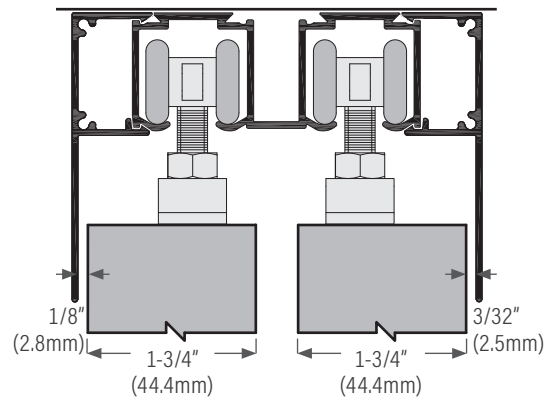
**KT125** Intrack bumper stop

# KT50 Ceiling Mount With KT5FASCIA Options

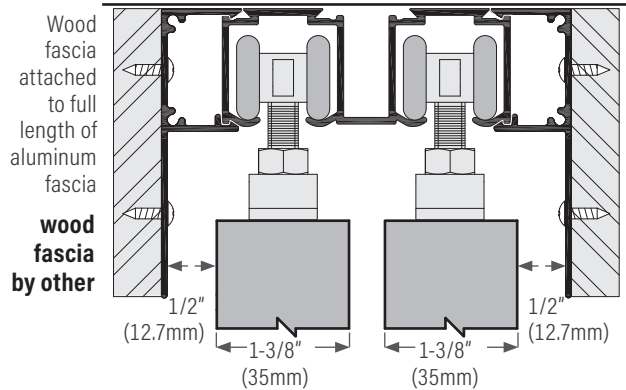
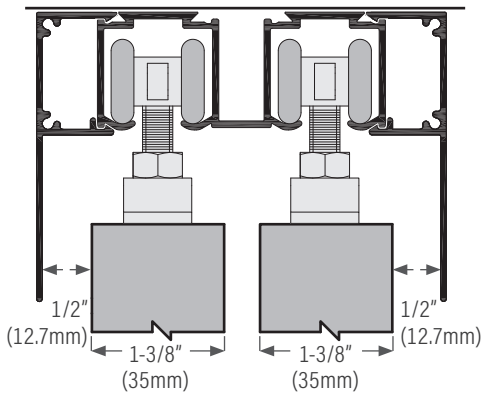
1 fascia for closet application



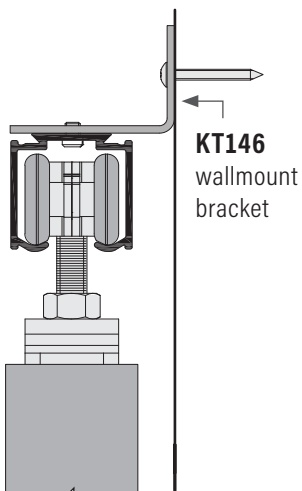
2 fascias for room divider



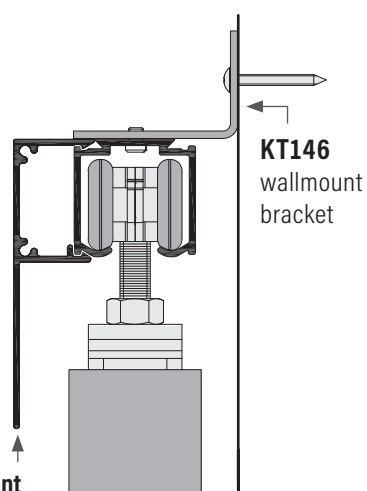
for room divider application track is installed wall to wall, no open end of track showing



## Wallmount Application



Depending on application, if the track is open at either end, then intrack stop must be fastened to either one or both ends of track



KT5W Fascia - white paint  
KT5C Fascia - clear anodized

optional

KT5W Fascia - white paint  
KT5C Fascia - clear anodized

optional

