

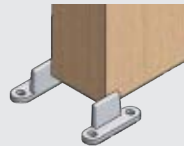
KT52KIT: max door weight: 132 lbs (60kg) = 2 hangers

KT53KIT: max door weight: 220 lbs (100kg) = 2 hangers

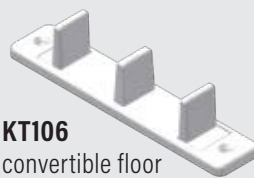
PARTS IN THE KIT



Hangers (6 ea)



KT102 floor mounted guide (2 ea)



KT106 convertible floor guide (2 ea)

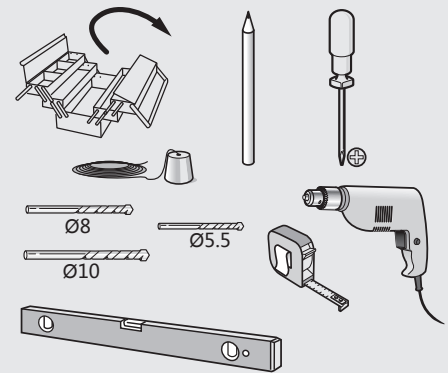


KT166 flush pull (3 ea)



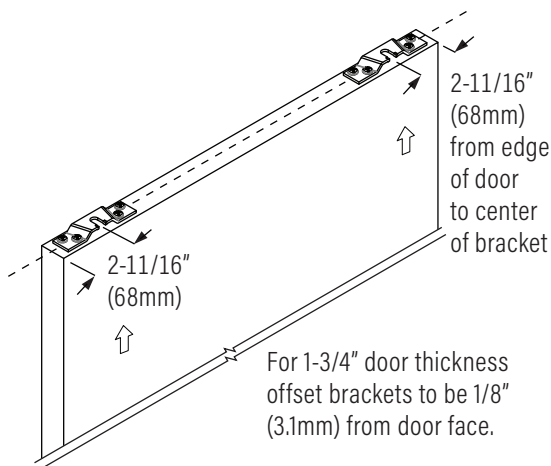
KT155 wrench (1 ea) plus screws

RECOMMENDED TOOLS



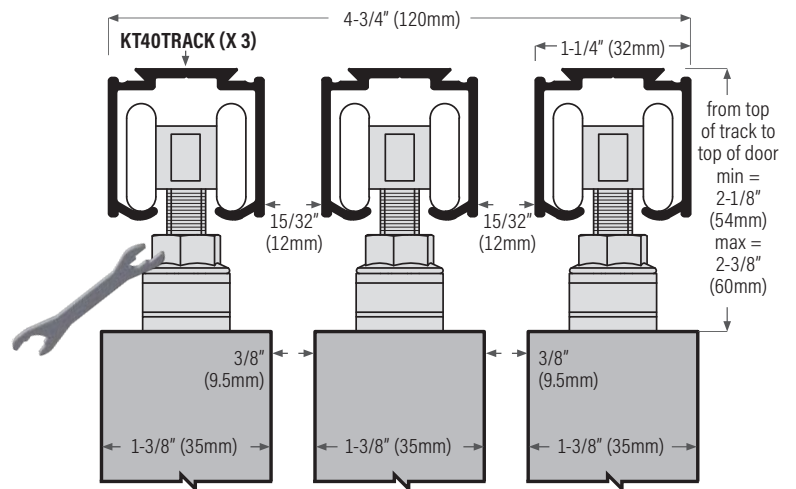
1 HANG DOOR

Mount center line of door hanger plates on center line of door as illustrated below. Insert hangers into track before installation of track. Hang doors attaching back door first and then front door.

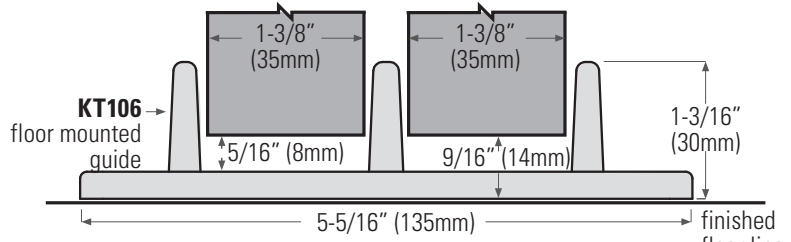
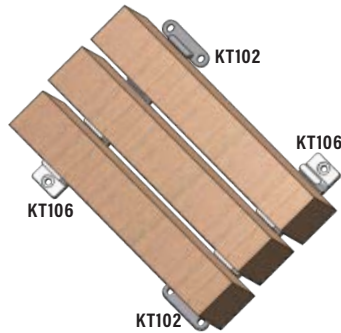
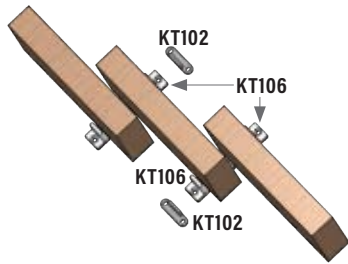


2 PLUMB DOOR

Turn adjusting bolt to raise or lower door and align door squarely with the jamb.



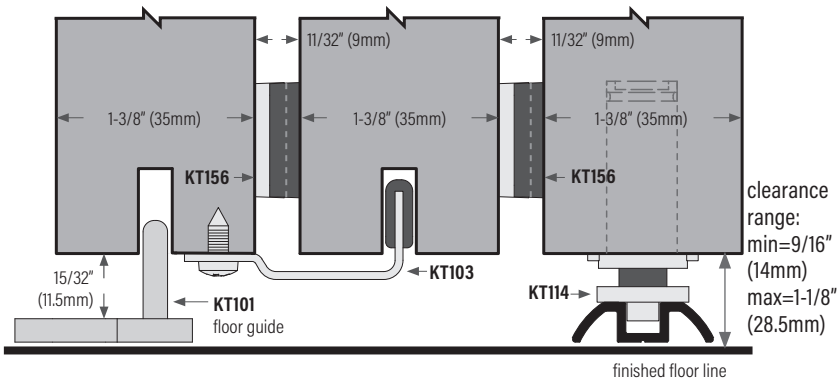
3 INSTALL FLOOR GUIDE



KT106 Convertible floor guide (plastic) shown with 1-3/8" (35mm) door



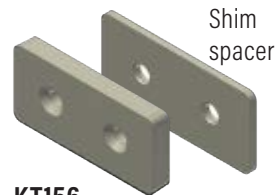
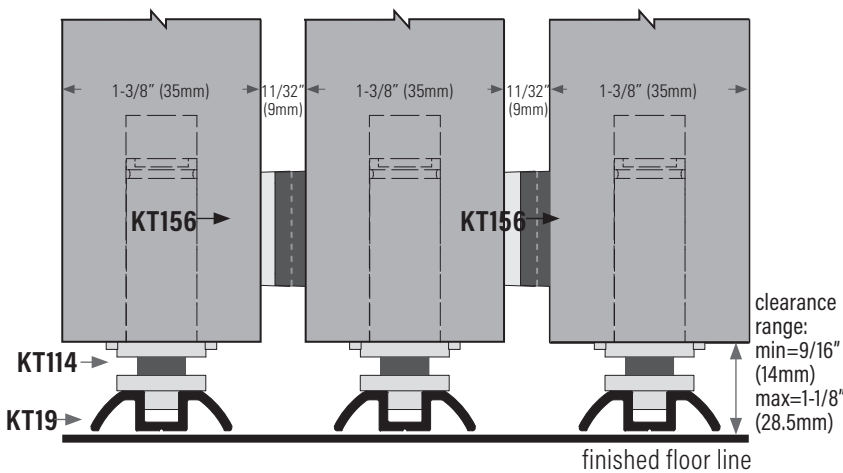
Bottom Guiding Options For Multi-Sliding Doors



KT101
Floor guide
(plastic)



KT103
Bottom link guide
(stainless steel) for
1-3/8" (35mm) doors



KT156
Collector (nylon) for Multi-Slide
doors, two piece set

Head Office: Vancouver, Canada | Branch Offices & Manufacturing Centres: Toronto, Canada & Los Angeles, USA

Contact: www.DraftSeal.com | info@DraftSeal.com