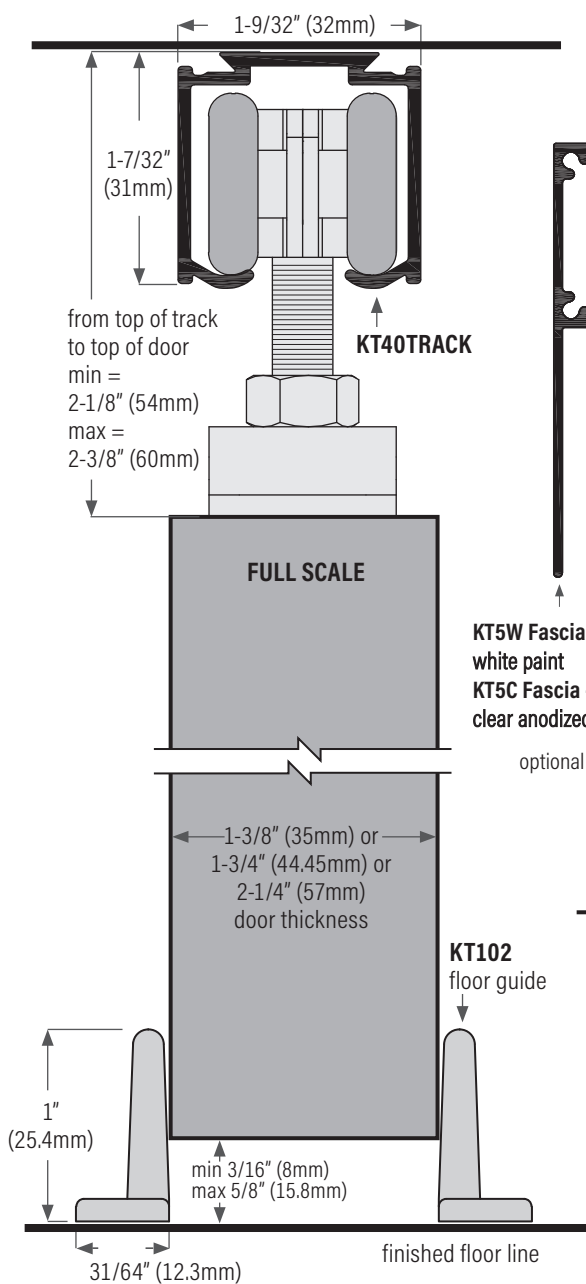


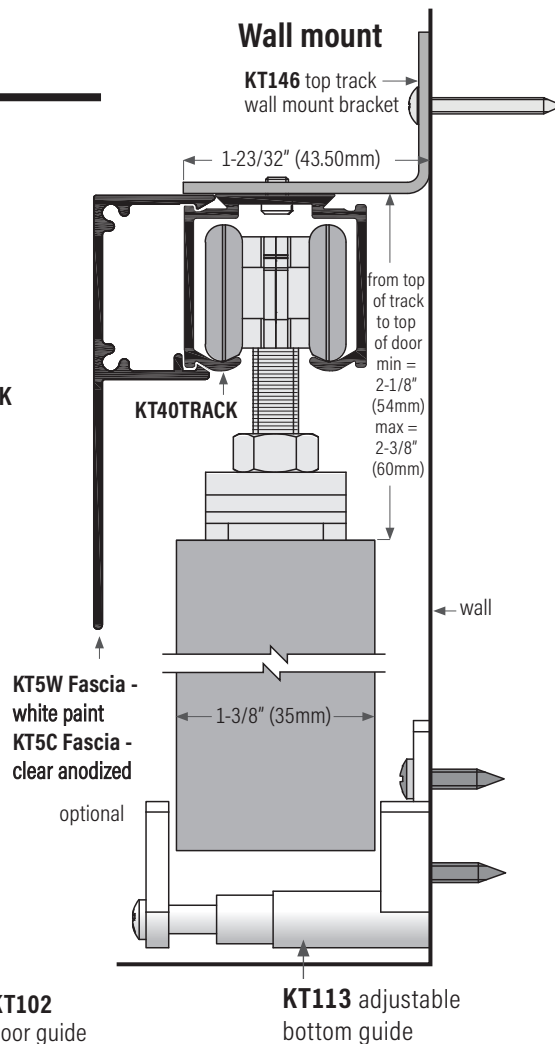
KT40 Series: Single Track For Sliding Doors, Ceiling Or Wall Mount

MAXIMUM CAPACITY:	Width and height of the door may vary beyond standard sizes, provided the weight of the door does not exceed the maximum hanger weight listed. Weight check on door panel should always be performed by either manually weighing the door or checking manufacturing specs.
VERTICAL ADJUSTMENT:	1/4" (6.4mm)
TRACK:	Extruded aluminum, mill finish.
HANGER:	Steel plated or cast carrier, 4 nylon wheels, ball bearing.
OPTIONS:	KT23 floor channel extruded aluminum, bronze anodized with PVC insert. Also available KT20 & KT19 floor channels. KT146 wallmount brackets. KT151 face door mount bracket.

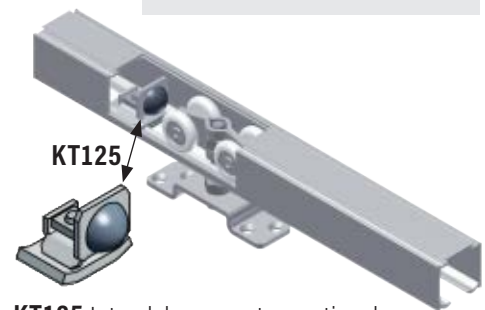
Ceiling mount



Wall mount



KT124 Intrack hanger stop for KT35 & KT38 kit only, optional

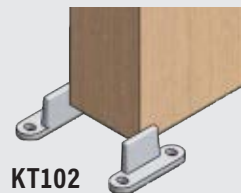


KT125 Intrack bumper stop, optional

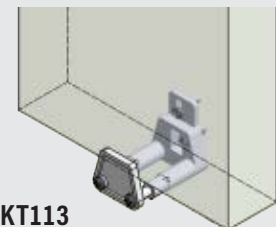
KIT INCLUDES:



Hangers (2 ea)



KT102 floor mounted guide (2 ea)



KT113 adjustable bottom guide (1 ea)



KT155 wrench (1 ea)

KT40 Series: Single Track For Sliding Doors, Ceiling Or Wall Mount

One Track, Two Hanger Choices:



KT38KIT for 1 door application:

KT38HANGER (2 ea) hangers, KT102 (2 ea) floor mounted guide, KT113 (1 ea) adjustable bottom guide for wall mounted door, KT155 (1 ea) wrench, installation sheet plus all screws.

For biparting doors order two kits (KT38KIT) and two (KT125) intrack door stops.

Residential, max door weight: 132 lbs. (60 kg) = 2 hangers



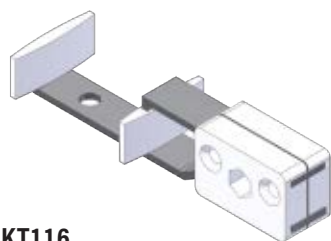
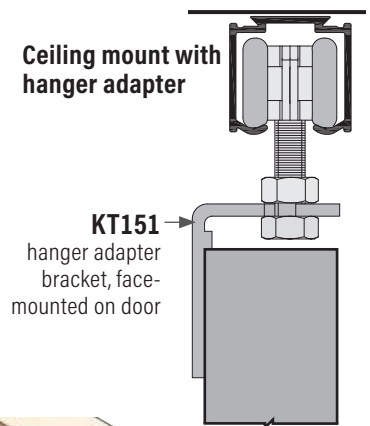
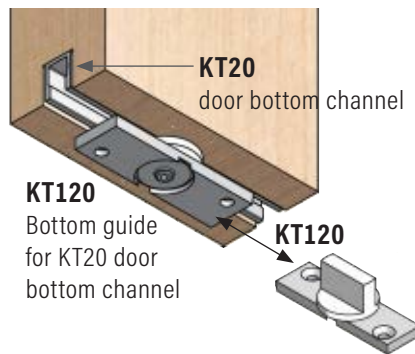
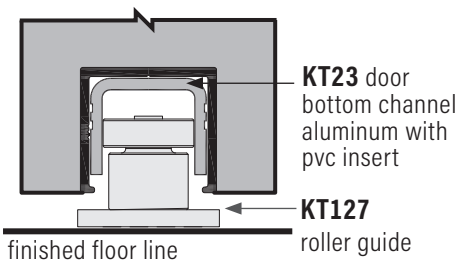
KT40KIT for 1 door application:

KT40HANGER (2 ea) hangers, KT102 (2 ea) floor mounted guide, KT113 (1 ea) adjustable bottom guide for wall mounted door, KT155 (1 ea) wrench, installation sheet plus all screws.

For biparting doors order two kits (KT40KIT) and two (KT125) intrack door stops.

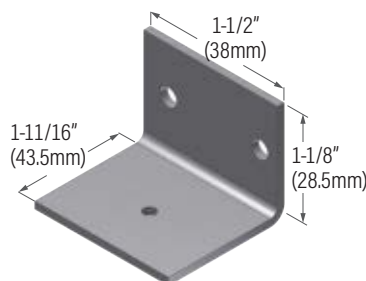
Commercial, max door weight: 220 lbs. (100 kg) = 2 hangers

OPTIONS

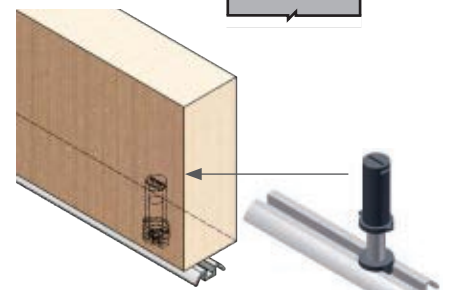


KT116

Adjustable bottom guide (metal & plastic) jamb mounted for wall mounted door 1-3/8" or 1-3/4" door thickness

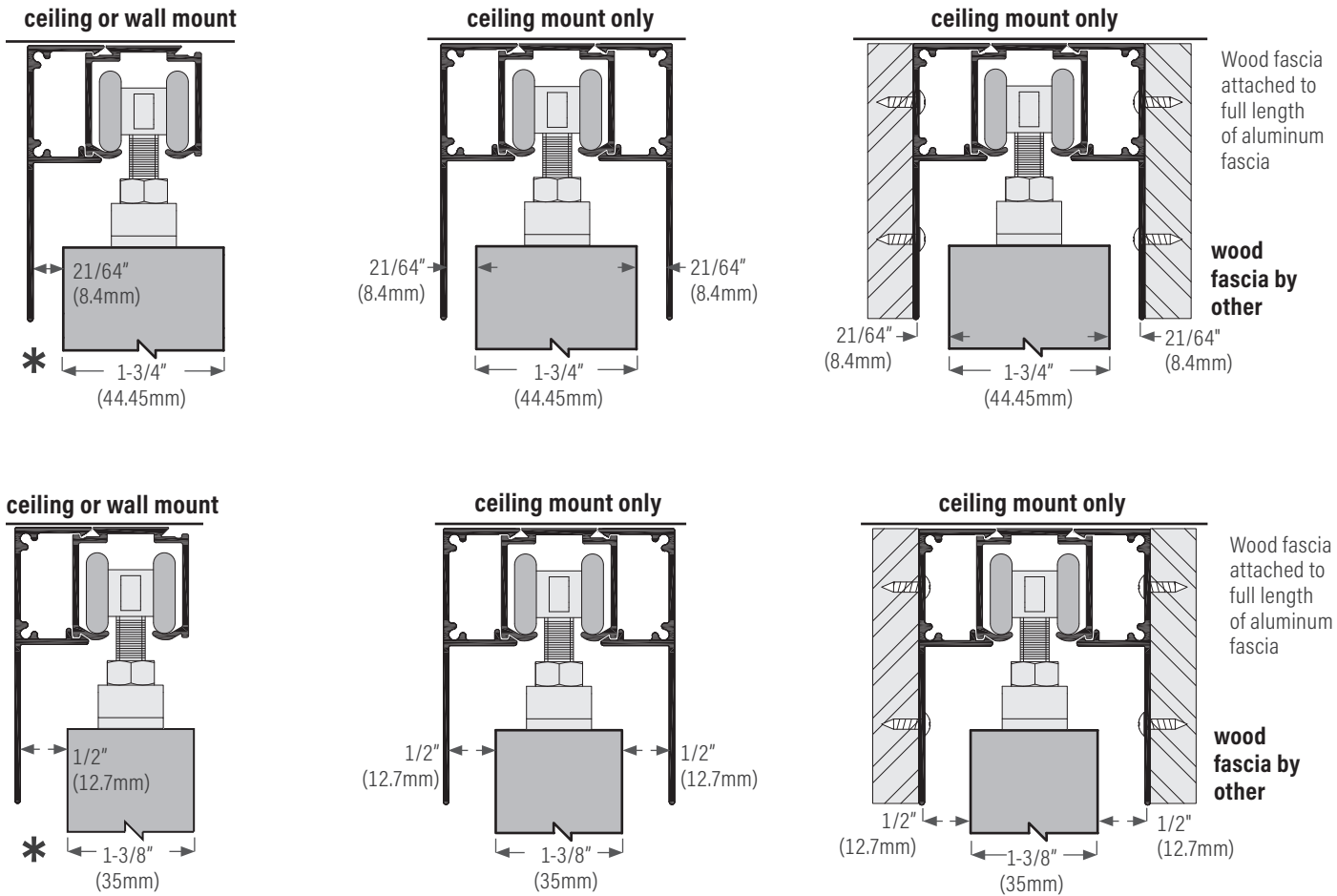


KT146 Wall-mount bracket (metal) for KT40 Series track, order separately



KT114 Bottom guide (plastic), spring loaded, for KT19 floor channel

KT40 With KT5FASCIA Options



End Cap For KT40 Track (ceiling or wallmount application) & KT5FASCIA one side only

