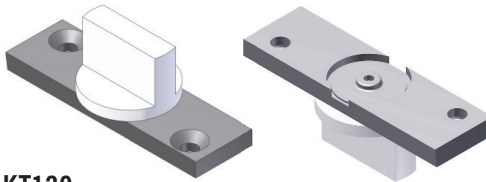
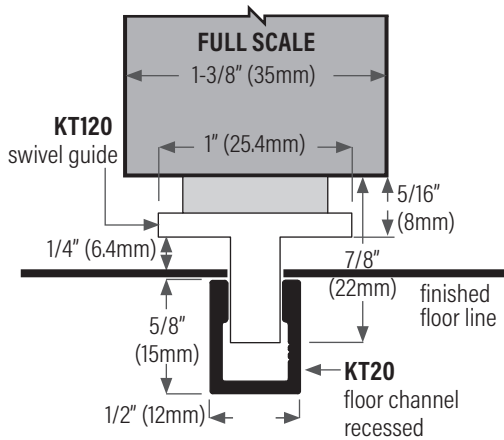
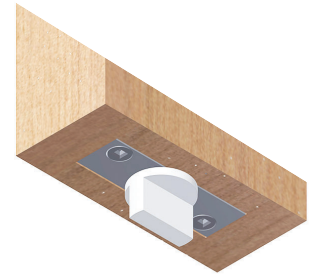


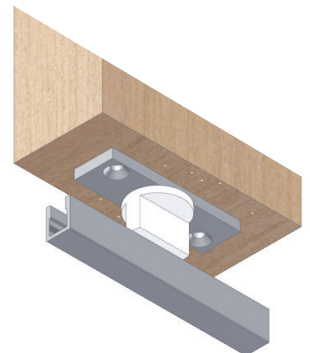
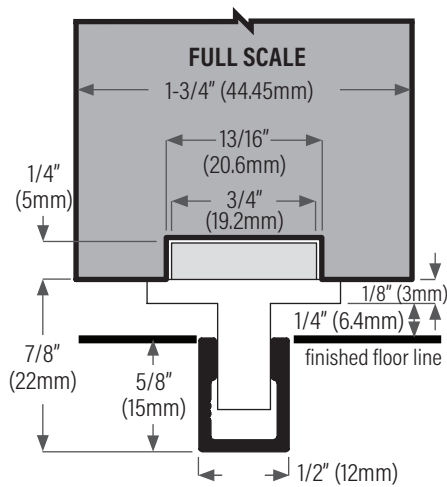
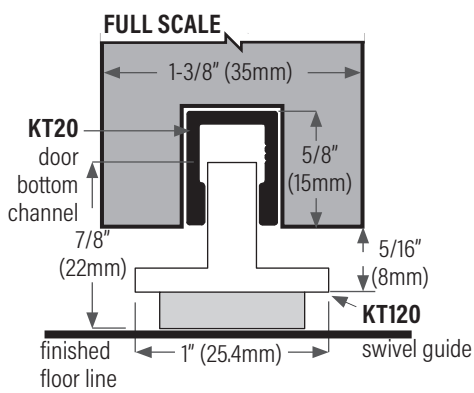
Floor Channel Choices For Single Sliding Doors



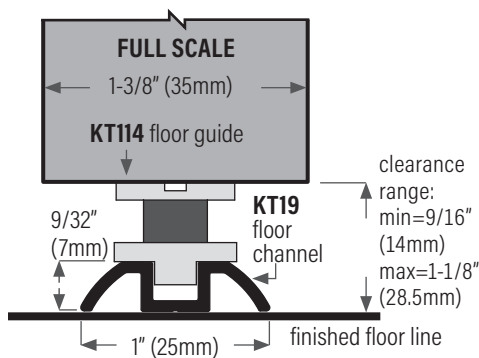
KT120
 Bottom guide (metal & plastic) for floor channel



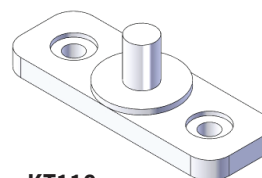
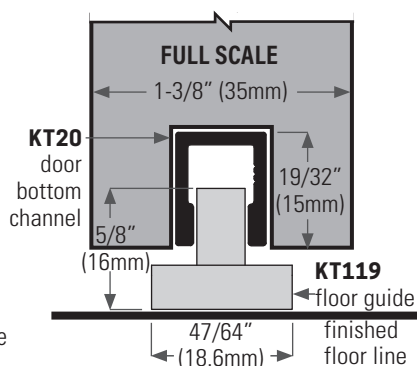
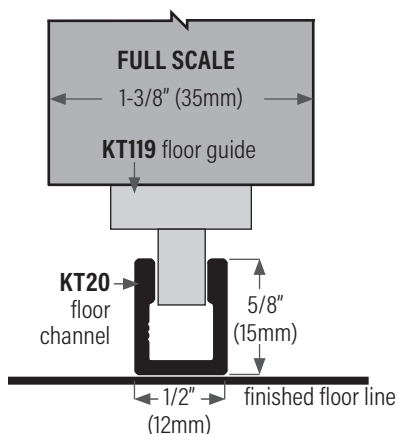
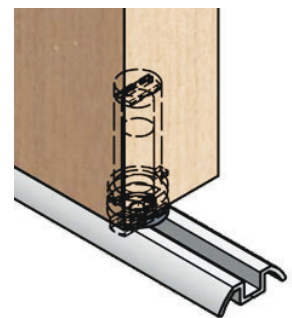
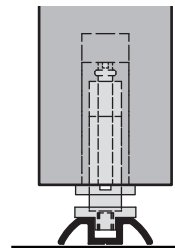
mounting plate mortised into bottom of door



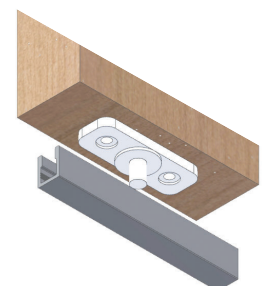
mounting plate surface mounted on bottom of door



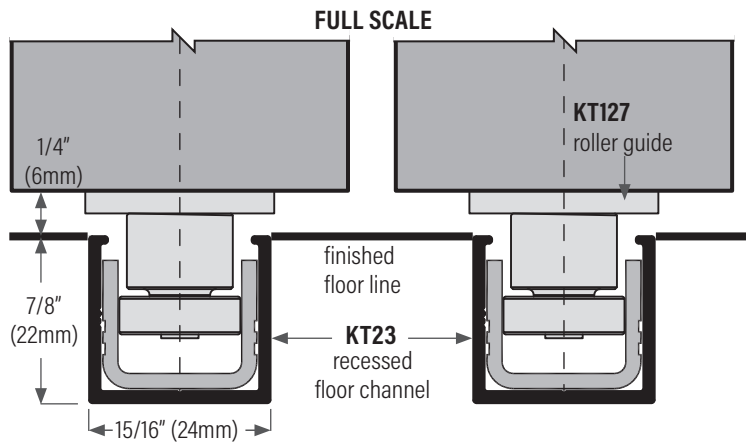
KT114 Bottom guide (plastic), spring loaded, for **KT19** floor channel



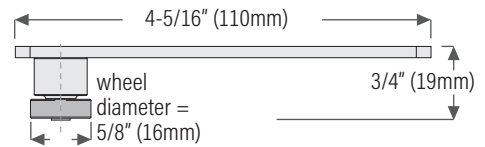
KT119
 Bottom guide (plastic) for floor channel



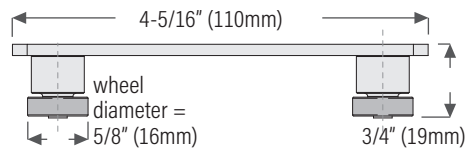
Floor Channel Choices For Bypass Sliding Doors



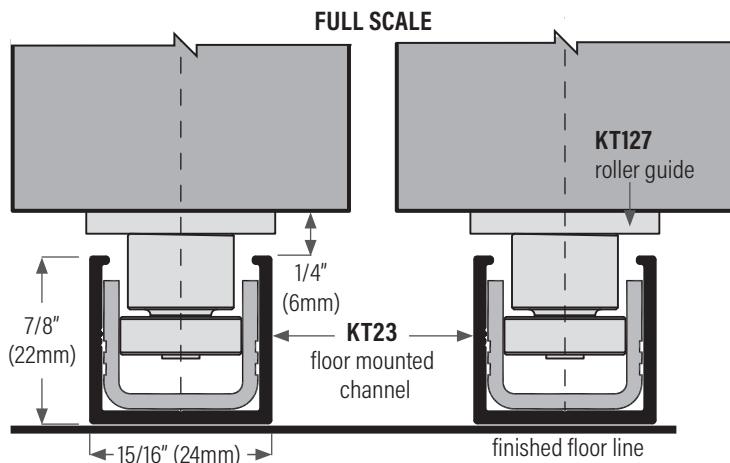
KT127SS
Bottom guide, ball bearing roller (stainless steel) for recessed floor channel



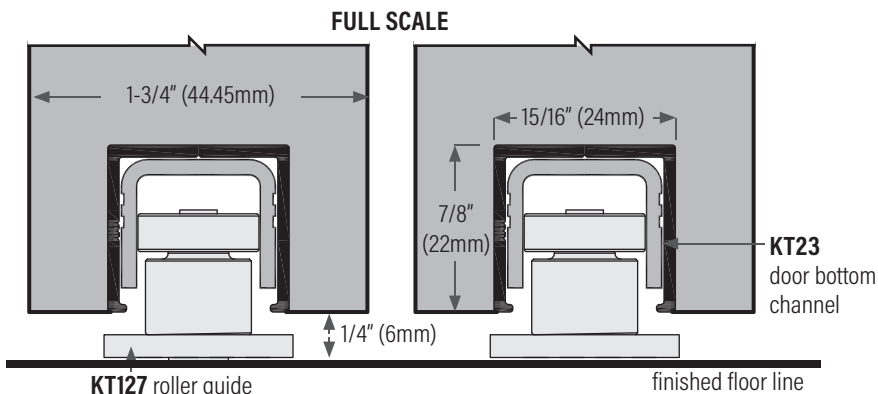
KT127SS1 ball bearing single roller, stainless steel



KT127SS2 ball bearing double roller, stainless steel



KT127SS
Bottom guide, ball bearing roller (stainless steel) for surface mount floor channel



KT127SS
Bottom guide, ball bearing roller (stainless steel) for door bottom channel

