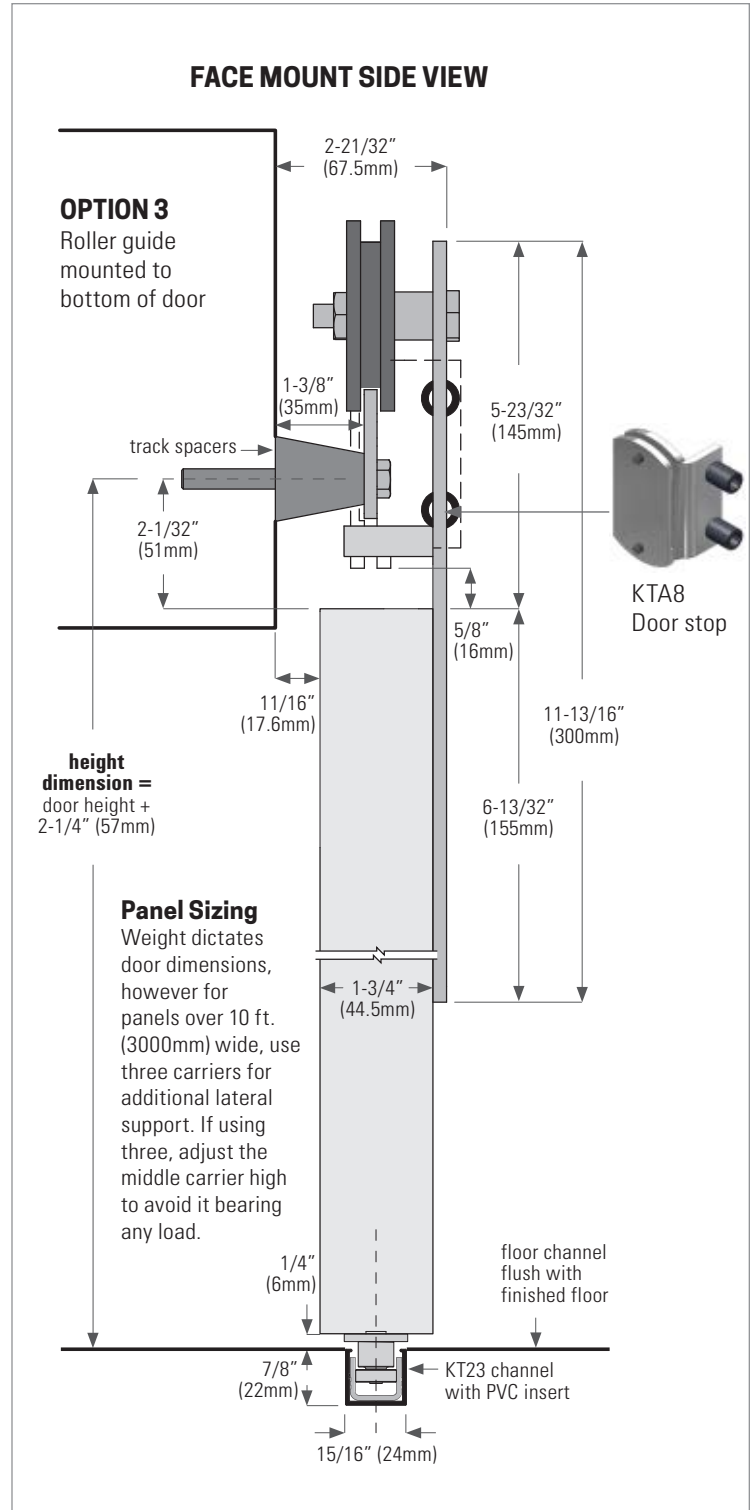
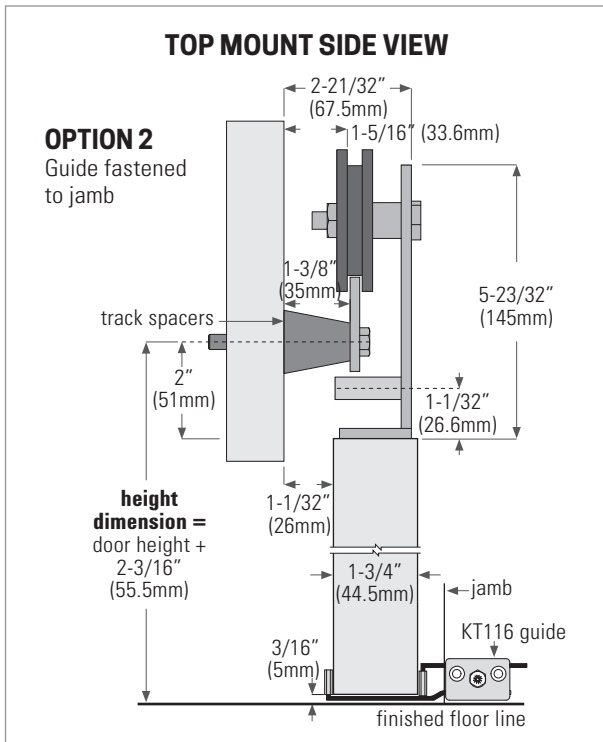
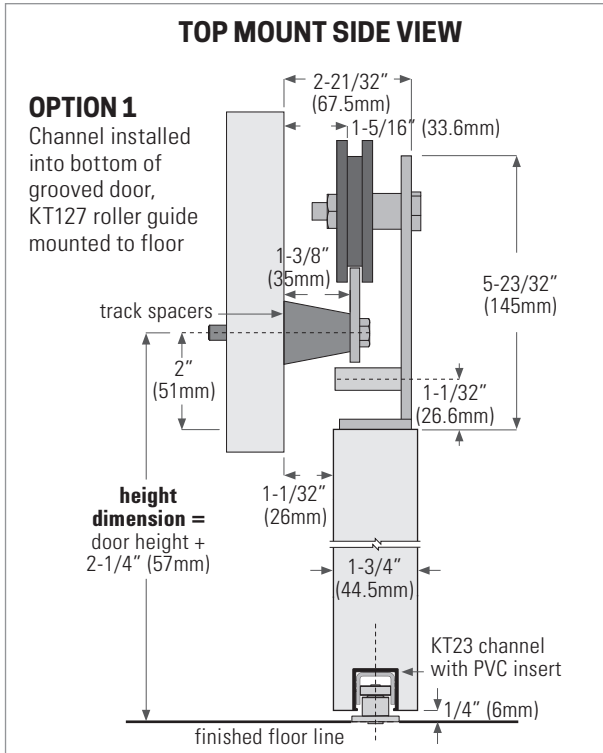


KrisTrack® KTA8 All Stainless Steel Open Rail Track System for Sliding Doors

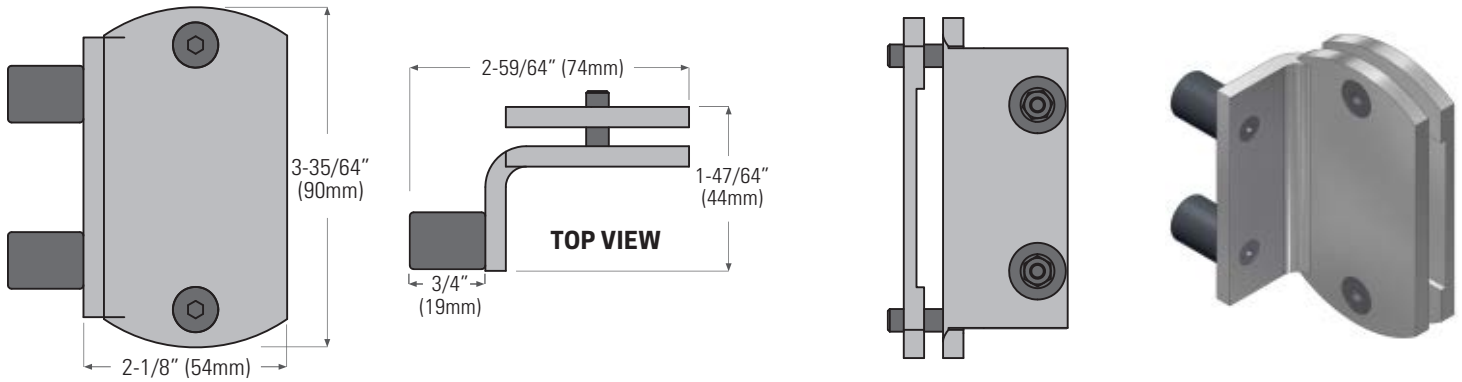


ARCHITECTURAL SPECIFICATIONS

- Max door weight:** 650 lbs (300kg) = 2 carriers,
- Max door thickness:** 2-1/4" (57.15mm)
- Max door width:** 144" (12 ft / 3658mm),
- Max door height:** 144" (12 ft / 3658mm)

- Open rail:** flat bar stainless steel 304 (brushed or black)
- Carriers:** all stainless steel (face mount or top mount)
- Door stop:** all stainless steel with rubber bumpers
- Floor channel:** aluminum with pvc channel insert, bronze anodized
- Guides:** jamb mounted or floor mounted or bottom of door mounted

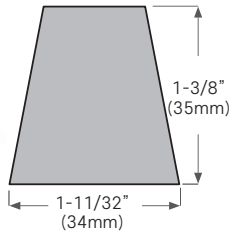
KTA8 Door Stop (ATTACHES TO KTA8 OPEN RAIL), Stainless Steel 304 with Rubber Bumpers



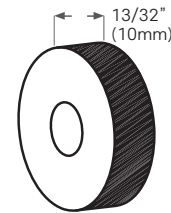
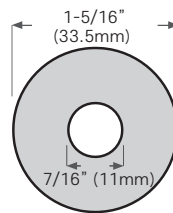
KTA8DSTOPSS Door stop, brushed stainless steel.
KTA8DSTOPBL Door stop, black electro plating over stainless steel.

KTA8 Track Spacers, Stainless Steel

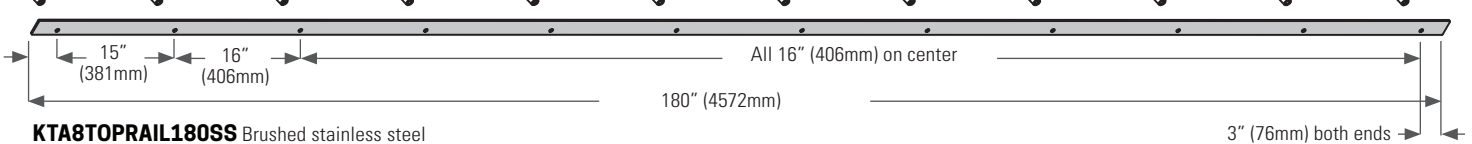
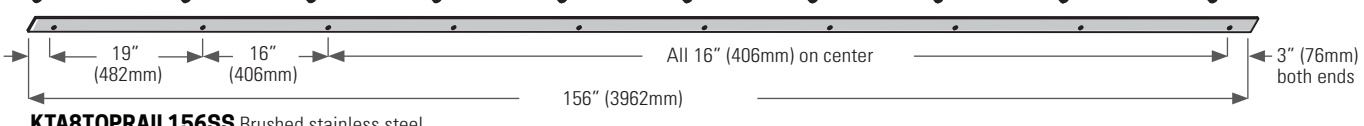
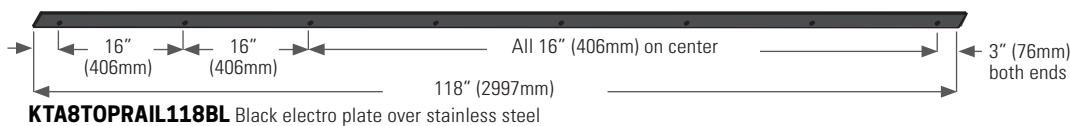
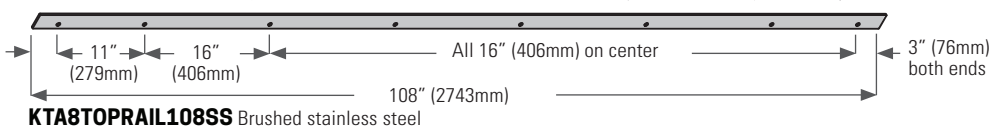
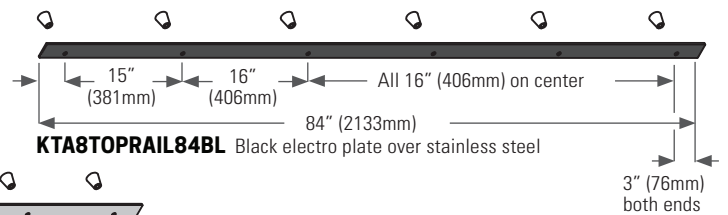
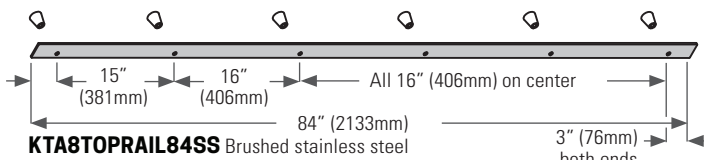
NOTE: All spacers supplied with mounting fasteners

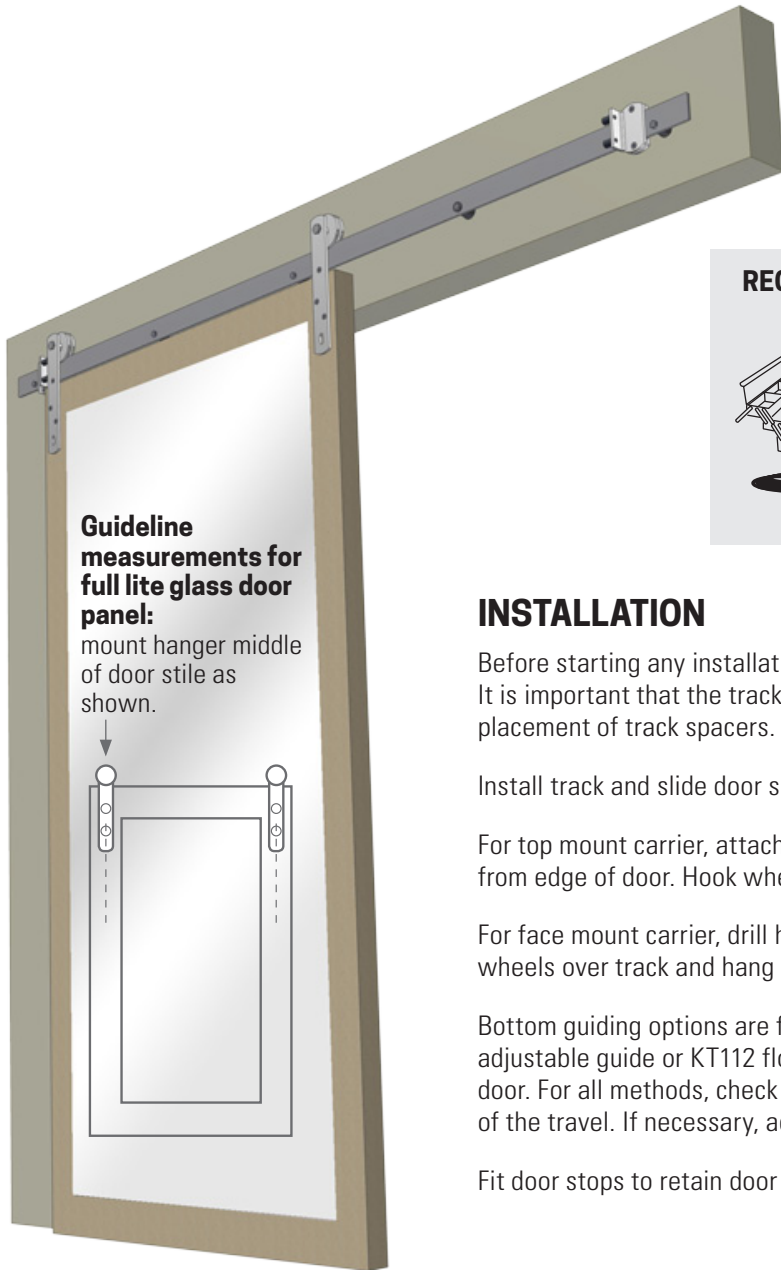


KTA8SPACERSS Spacer, brushed s.s.
KTA8SPACERBL Spacer, black electro plating over stainless steel.

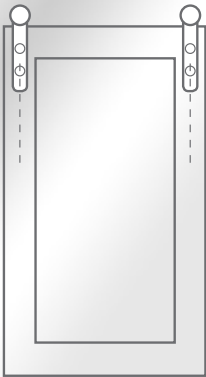


KTA8S10MMSS Spacer, brushed stainless steel, 10mm thick.
KTA8S10MMBL Spacer, black electro plating over stainless steel, 10mm thick. Use with KTA8SPACERSS or KTA8SPACERBL

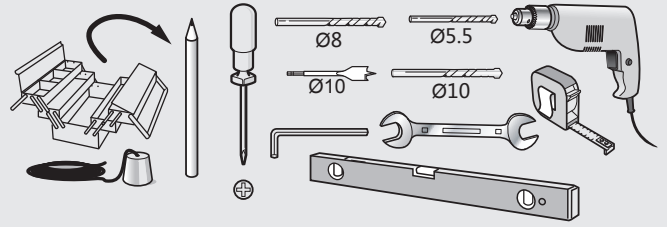




Guideline measurements for full lite glass door panel:
 mount hanger middle of door stile as shown.



RECOMMENDED TOOLS



INSTALLATION

Before starting any installation, ensure the head (lintel) is sufficiently strong and rigid. It is important that the track be fitted straight and parallel to the head. Measure for placement of track spacers. See page 1 for height dimensions.

Install track and slide door side to side to make sure that it covers the opening.

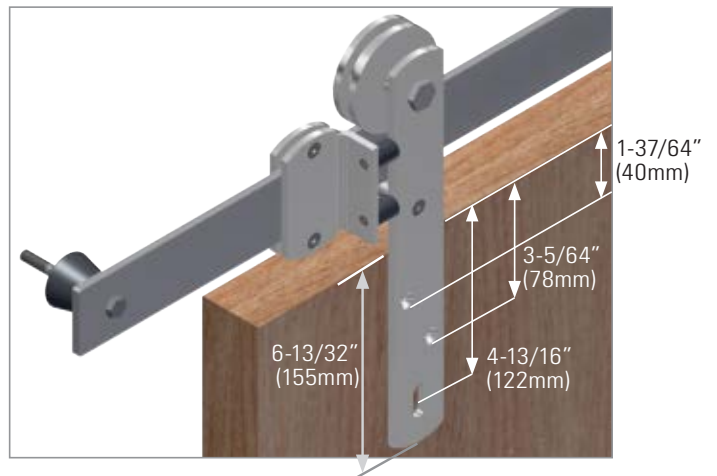
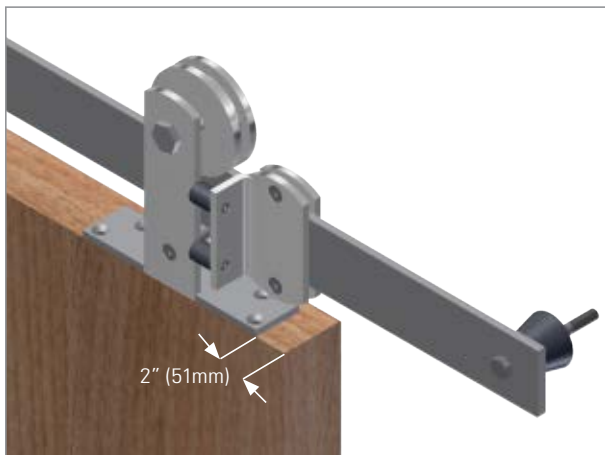
For top mount carrier, attach to top of door with screws with carrier bracket 2" (51mm) from edge of door. Hook wheels over track and hang door.

For face mount carrier, drill holes in door as shown below and attach carrier. Hook wheels over track and hang door.

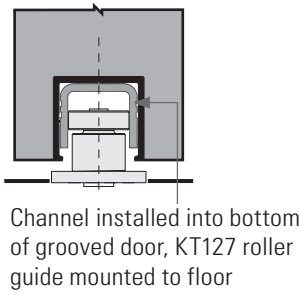
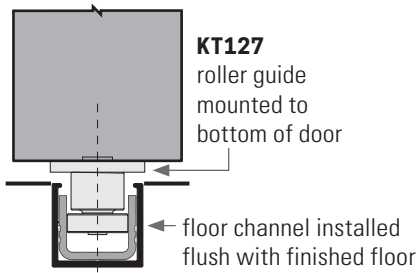
Bottom guiding options are floor channel and roller guide; KT116 jamb mounted adjustable guide or KT112 floor guide, which requires a groove in the bottom of the door. For all methods, check guides do not project past the end of the door at each end of the travel. If necessary, adjust door stops.

Fit door stops to retain door at each end as needed.

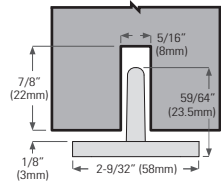
Guideline measurements for all wood panel



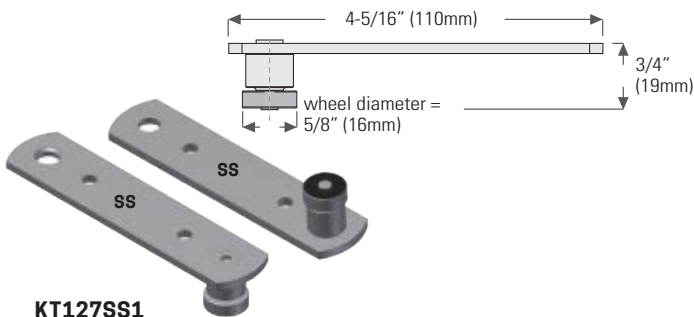
KT A8 Floor Channel & Floor Guide Options



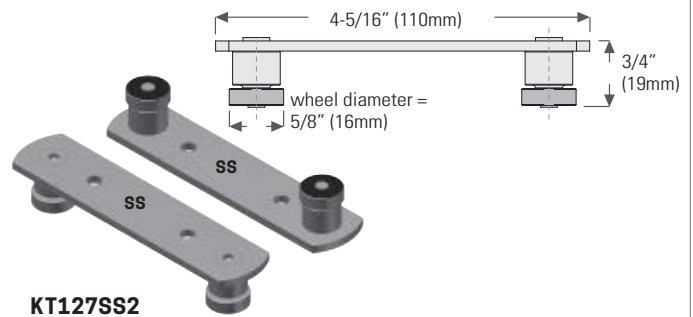
Lengths available: 36", 72", 111", 147", 183", 222", 294"
(914mm, 1829mm, 2819mm, 3734mm, 4648mm, 5639mm, 7468mm)



KT112 Floor guide, plastic,
for wood doors

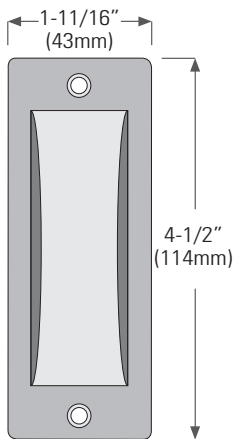


KT127SS1
Bottom guide, single roller (stainless steel) for floor
channel or bottom door channel

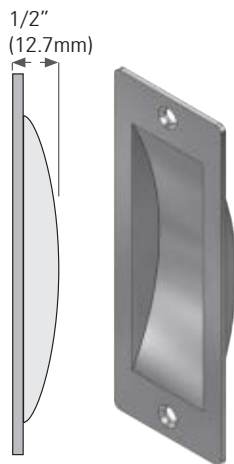


KT127SS2
Bottom guide, single roller (stainless steel) for floor
channel or bottom door channel

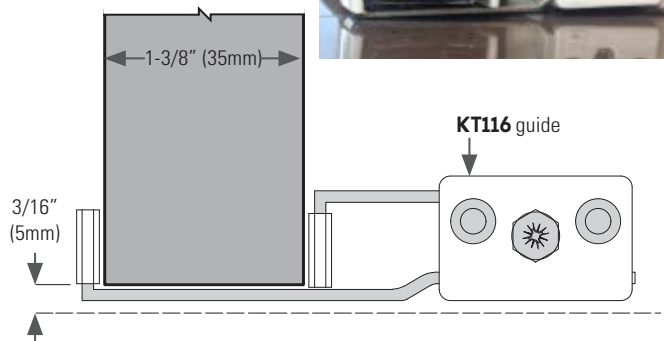
FRONT VIEW



SIDE VIEW



KT174 flush pull mortise = 1-1/4" x 3-7/16"
KT174BRZ Flush pull, bronze, **KT174CH** polished chrome
KT174DCH dull chrome



KT116 Adjustable bottom guide (metal & plastic), for doors up to
1-3/4" (45mm) thick