

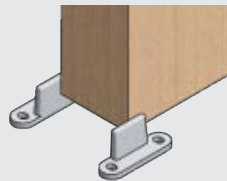
KT41KIT: max door weight: 385 lbs (175kg) = 2 hangers

KT41KITSS: max door weight: 385 lbs (175kg) = 2 hangers

KT41KIT INCLUDES



KT41HANGER
plated steel
(2 ea)
Plus screws

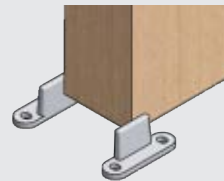


KT102 floor mounted
guide (2 ea)

KT41KITSS INCLUDES

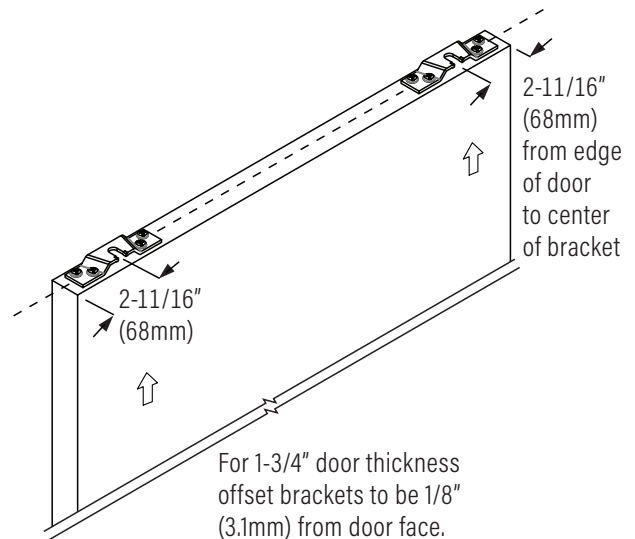
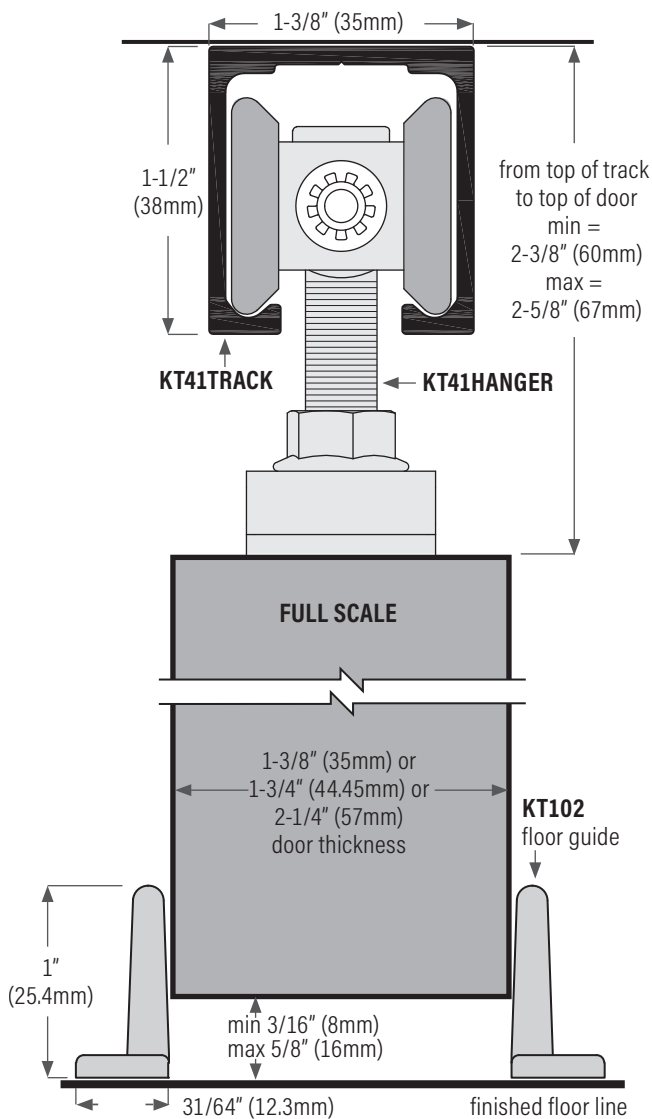
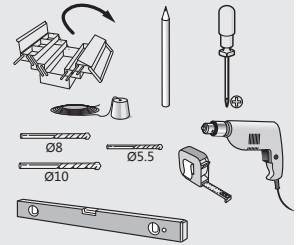


KT41HANGERS
stainless steel
(2 ea)
Plus screws

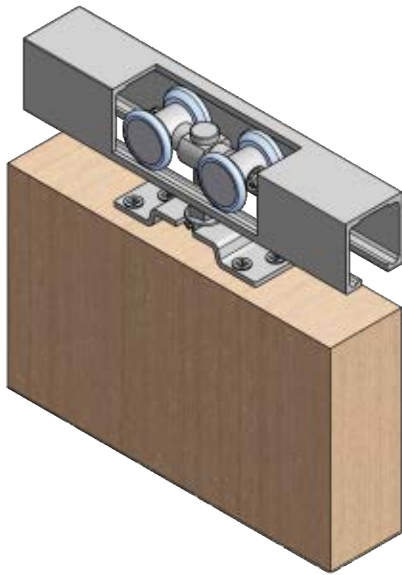


KT102 floor mounted
guide (2 ea)

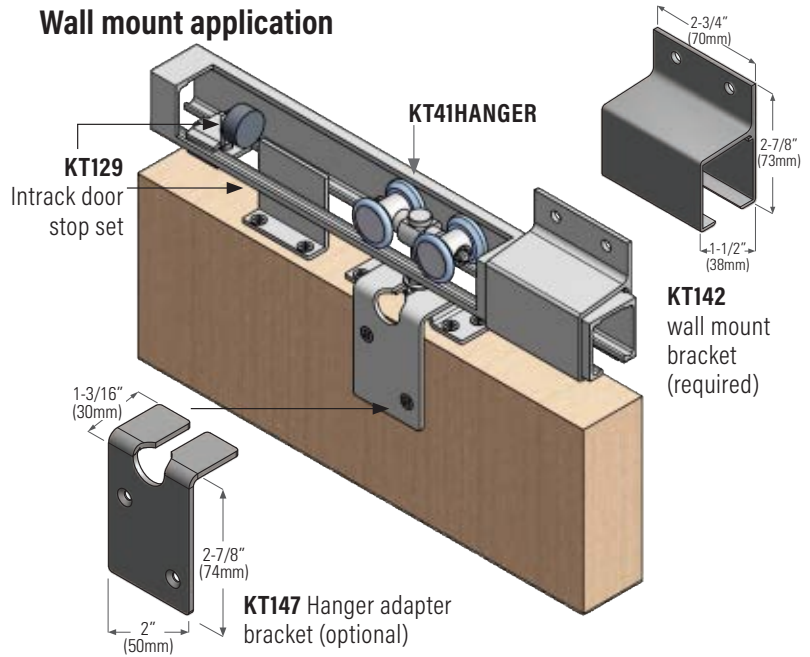
RECOMMENDED TOOLS



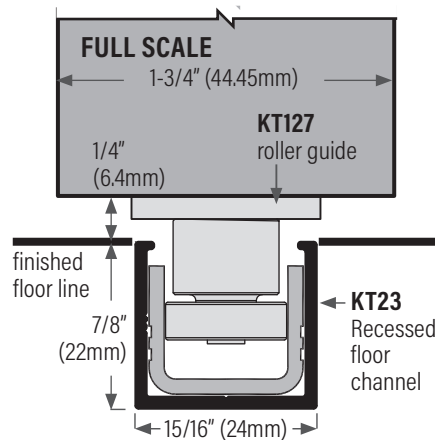
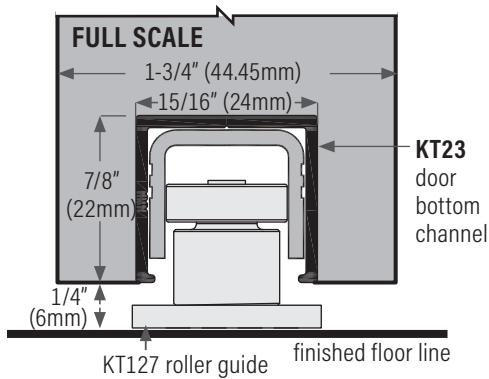
Ceiling mount application



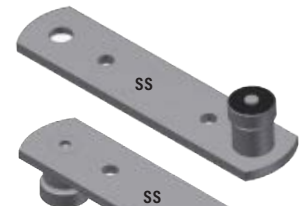
Wall mount application



Bottom Guiding Options



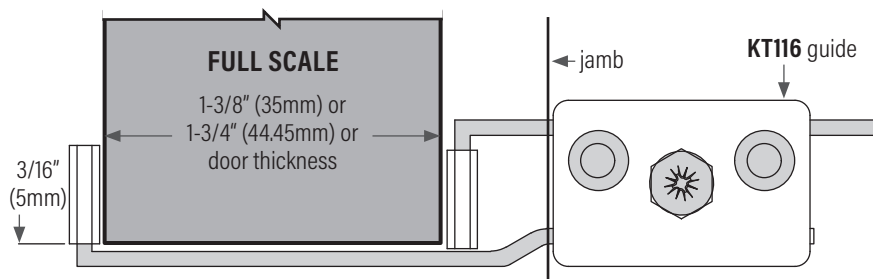
KT127SS1 ball bearing, single roller, stainless steel



KT127SS2 ball bearing, double roller, stainless steel



Jamb mounted guide for wall mounted sliding doors



KT116 Adjustable bottom guide (metal & plastic), for doors up to 1-3/4" (45mm) thick

Intrack door stop



KT129 intrack door stop set

Head Office: Vancouver, Canada | Branch Offices & Manufacturing Centres: Toronto, Canada & Los Angeles, USA

Contact: www.DraftSeal.com | info@DraftSeal.com