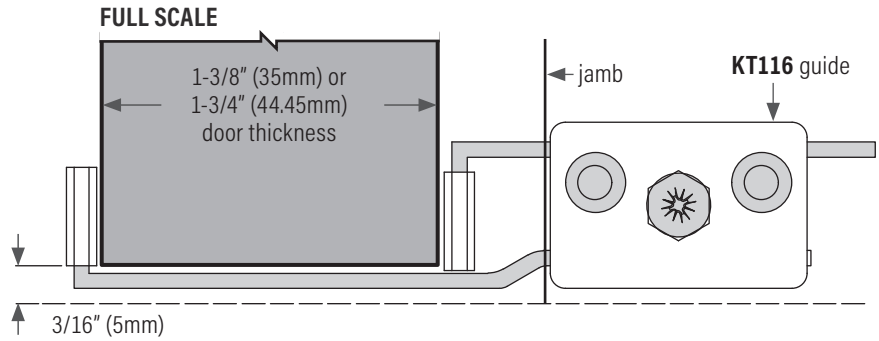
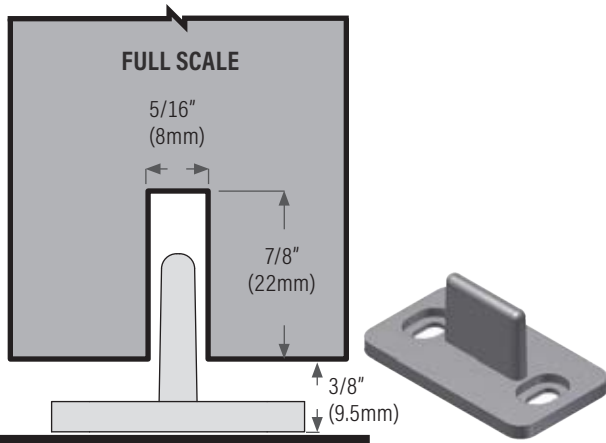


KTA2, KTA7 & KTA8 Accessories

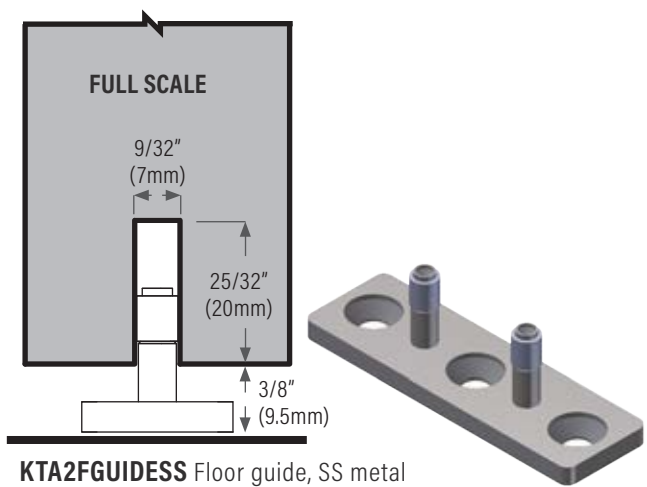
Bottom Guides



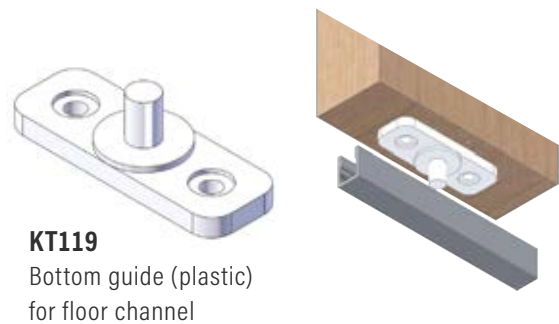
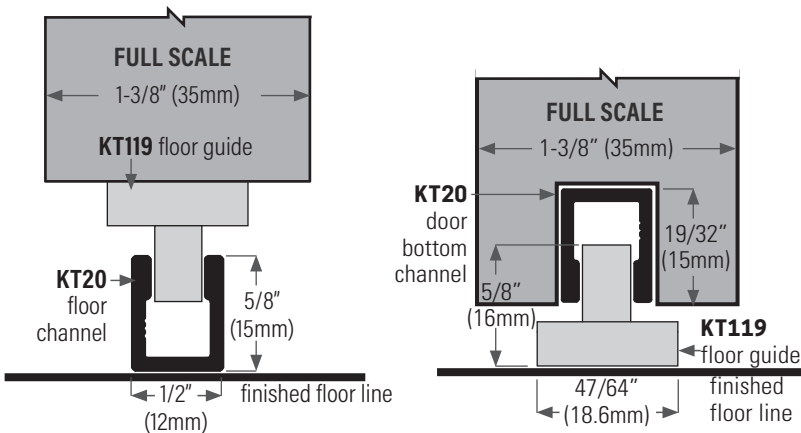
KT116 Adjustable bottom guide (metal & plastic), for doors up to 1-3/4\" (45mm) thick



KT112 Floor guide, plastic



KTA2FGUIDESS Floor guide, SS metal
KTA2FGUIDESSBLACK black

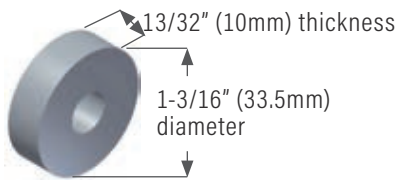


KT119
Bottom guide (plastic)
for floor channel

KTA2, KTA7 & KTA8 Accessories

Spacers

NOTE: Spacers not included with any KTA2, KTA7 or KTA8 kits, order separately.



KTA8S10MSS

Spacer, brushed stainless steel

KTA8S10MML

Black electro plating over stainless steel

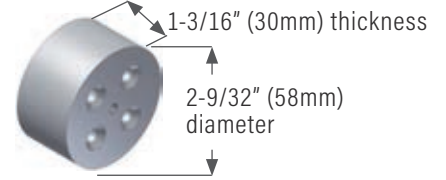
Use with KTA7 or KTA8 systems



KTSD15SPACER

Spacer, brushed stainless steel

Use with KTA2 systems

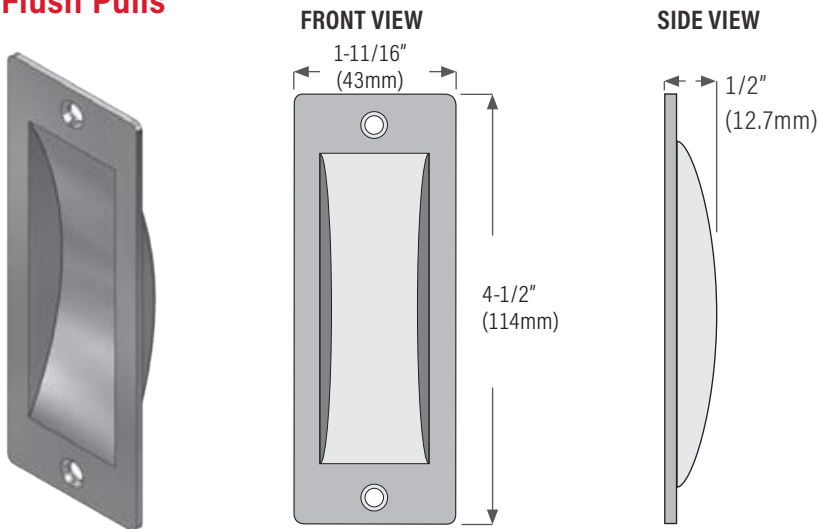


KTSD30SPACER

Spacer, brushed stainless steel

Use with KTA2 systems

Flush Pulls



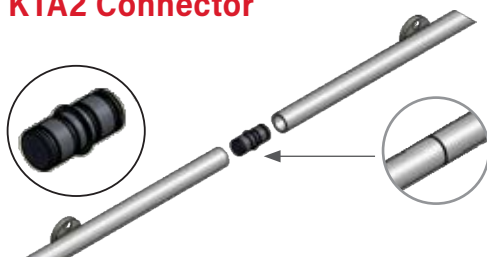
KT174 flush pull mortise = 1-1/4" x 3-7/16"

KT174BRZ Flush pull, bronze

KT174CH polished chrome

KT174DCH dull chrome

KTA2 Connector



NOTE: For biparting double doors, 2 kits required plus one connector piece (KTA2RAILCON)

KTA2RAILCONSS Connector piece, brushed stainless steel, connects 2 pieces of track end to end.

KTA2RAILCONSSBL black finish over stainless steel.

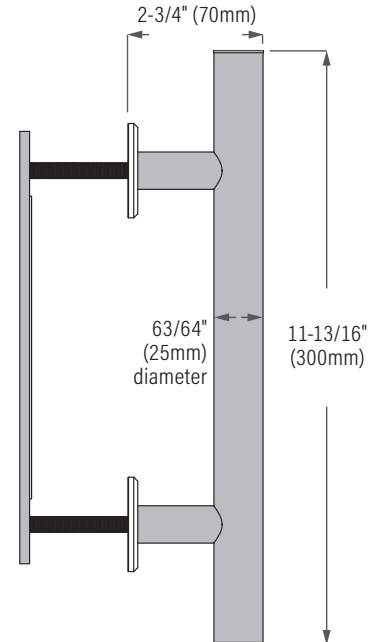
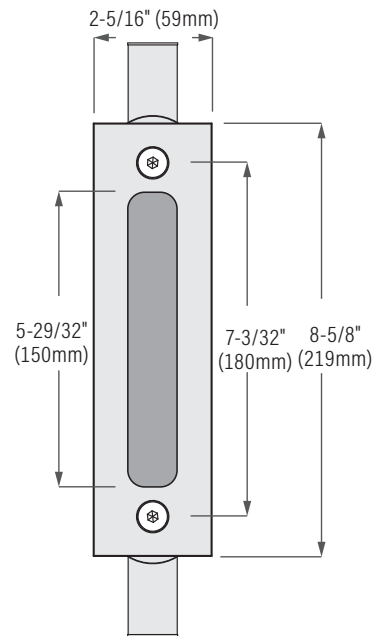
Order separately.





Handles & Pulls For Sliding Doors

Handle & Flush Pull for Sliding Doors



KT301SSH (PACKAGED IN BOX)

Handle and flush pull, brushed ss, fits 1-3/8" (35mm) or 1-3/4" (44.45mm) door thickness.

KT301BLACKH (PACKAGED IN BOX)

Black powder coat

KT301SSHR (CLEAR PACKAGING)

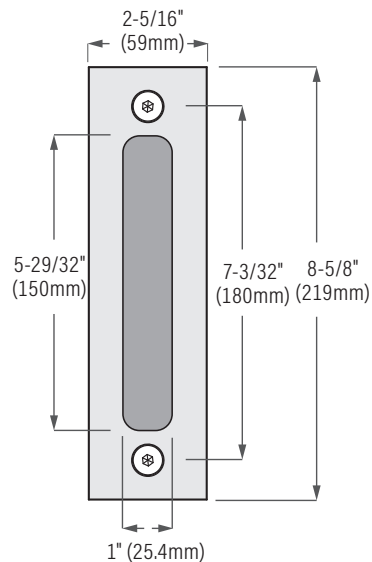
Handle and flush pull, brushed ss, fits 1-3/8" (35mm) or 1-3/4" (44.45mm) door thickness.

KT301BLACKHR (CLEAR PACKAGING)

Black powder coat

- » Set includes handle and flush pull
- » No machining for flush pull side
- » Drill 2 holes only

Flush Pull Only for Sliding Doors



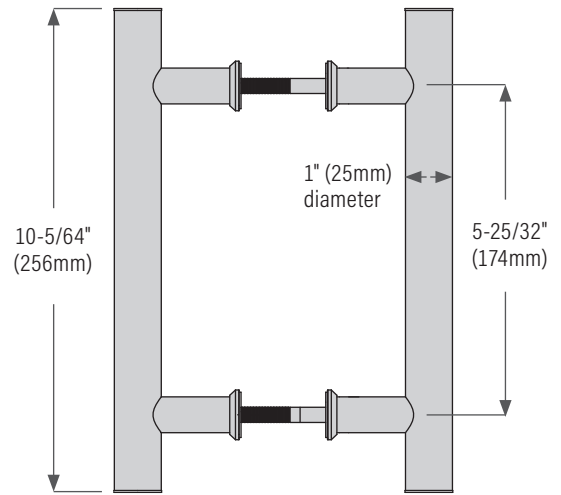
KT302SSHR (CLEAR PACKAGING)

Flush pull only, brushed ss, fits 1-3/8" (35mm) or 1-3/4" (44.45mm) door thickness.

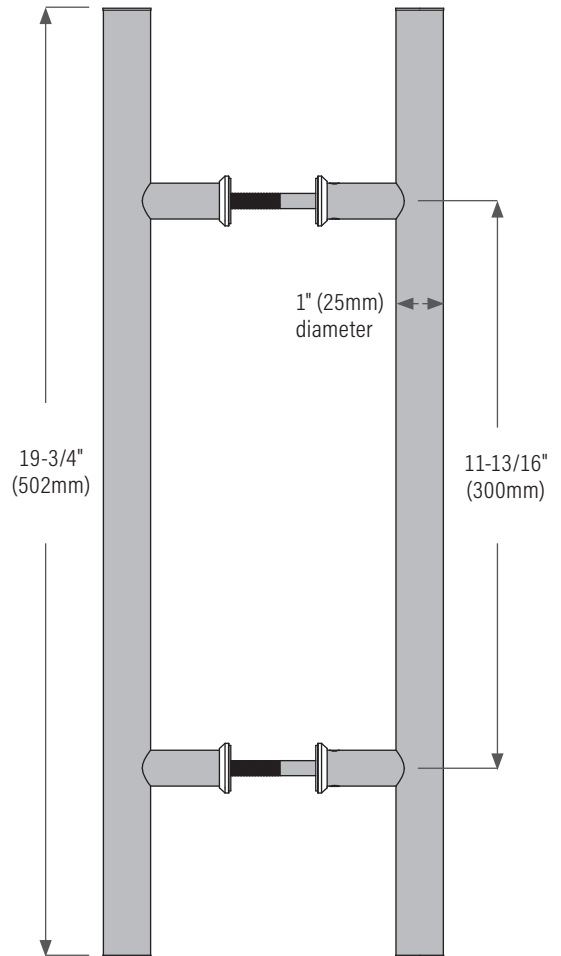
KT302BLACKHR (CLEAR PACKAGING)

Black powder coat

Handles For Sliding Wood Doors

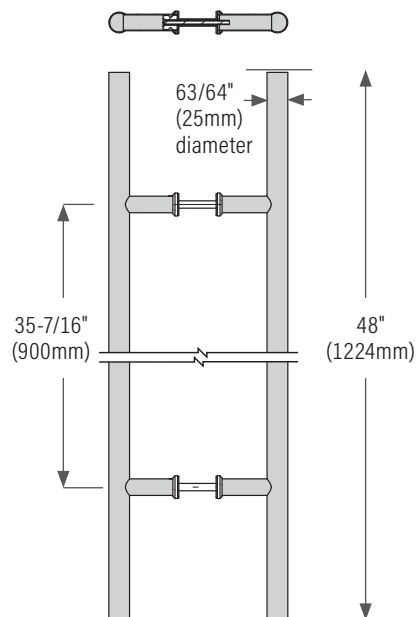


KT256SSH Brushed stainless steel, fits 1-3/8" or 1-3/4" door thickness.
KT256BLACKH Black

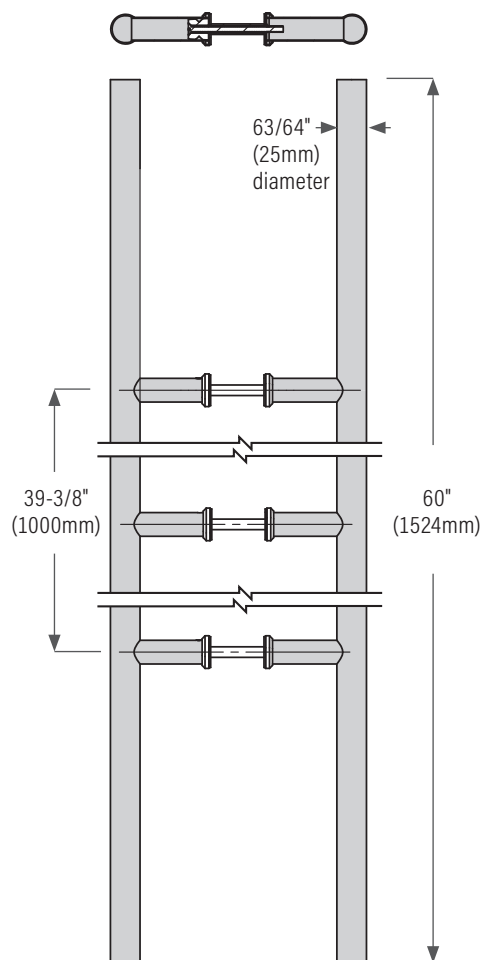


KT502SSH Brushed stainless steel, fits 1-3/8" or 1-3/4" door thickness.
KT502BLACKH Black

Handles For Sliding Wood Doors

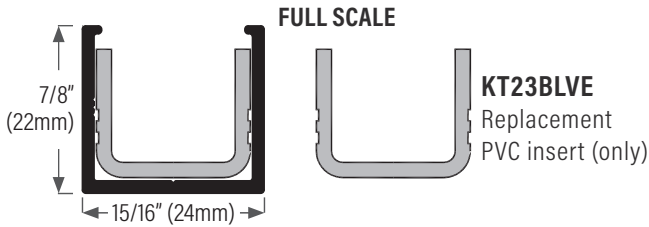


KT1224SSH Brushed stainless steel, fits 1-3/8" or 1-3/4" door thickness.
KT1224BLACKH Black powder coat

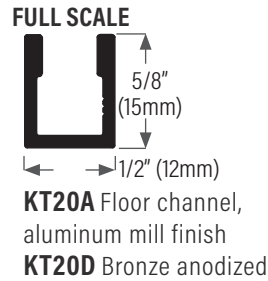


KT1524SSH Brushed stainless steel, fits 1-3/8" or 1-3/4" door thickness.
KT1524BLACKH Black powder coat

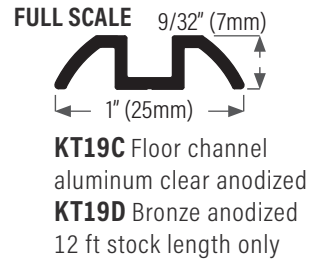
Floor Channel Choices For Single Sliding Doors



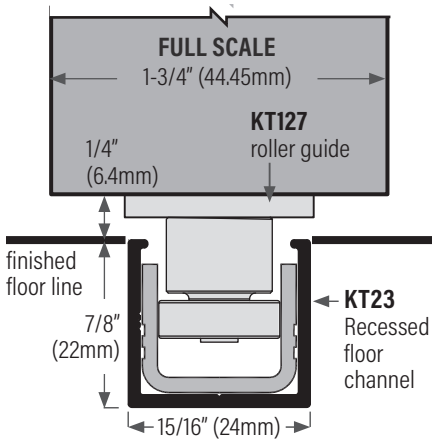
KT23D Floor channel, aluminum bronze anodized with pvc insert.



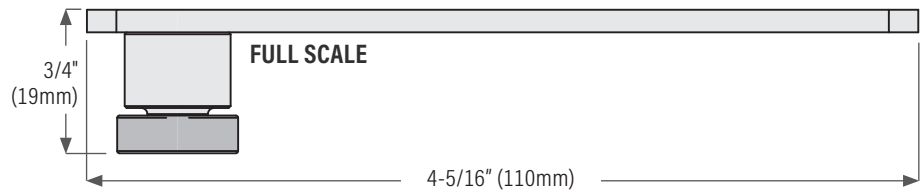
KT20A Floor channel, aluminum mill finish
KT20D Bronze anodized



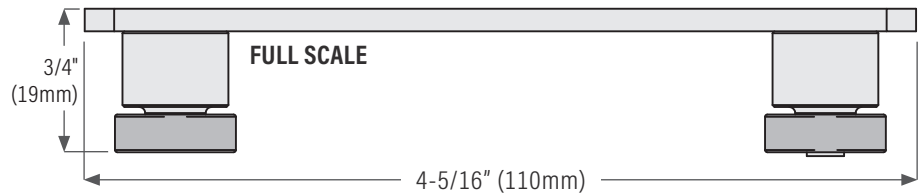
KT19C Floor channel aluminum clear anodized
KT19D Bronze anodized
12 ft stock length only



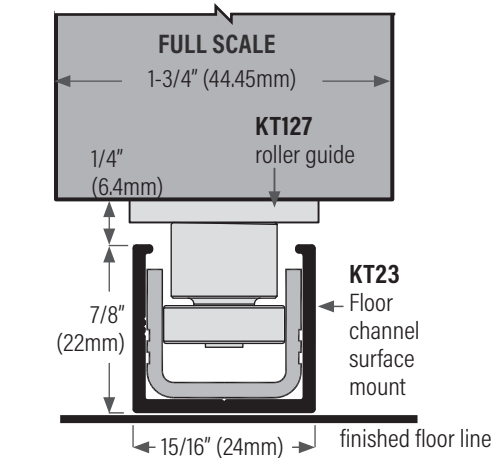
KT127SS Bottom guide, ball bearing roller (stainless steel) for recessed floor channel



KT127SS1 ball bearing single roller, stainless steel



KT127SS2 ball bearing double roller, stainless steel



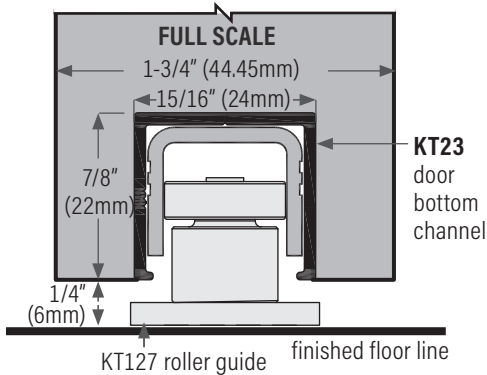
KT127SS Bottom guide, ball bearing roller (stainless steel) for surface mount floor channel



KT127SS2 ball bearing, double roller, stainless steel



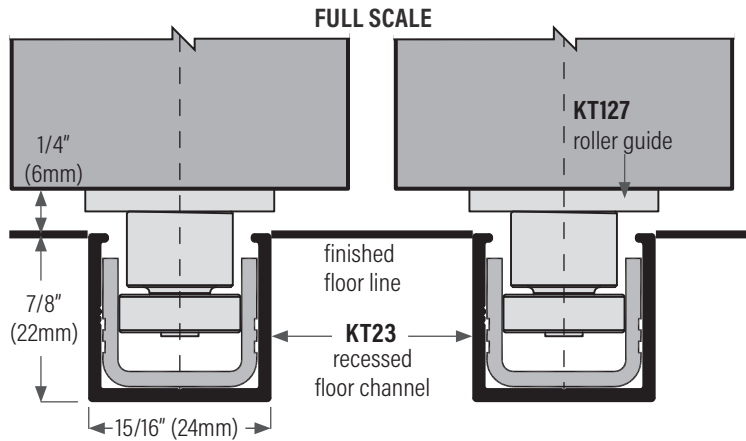
KT127SS1 ball bearing, single roller, stainless steel



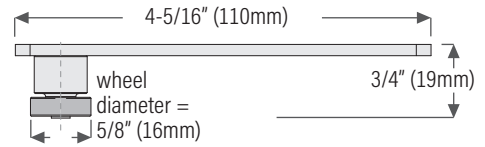
KT127SS Bottom guide, ball bearing roller (stainless steel) for door bottom channel



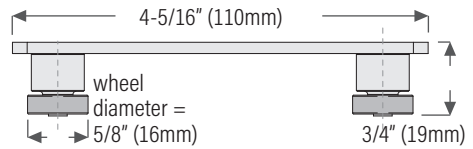
Floor Channel Choices For Bypass Sliding Doors



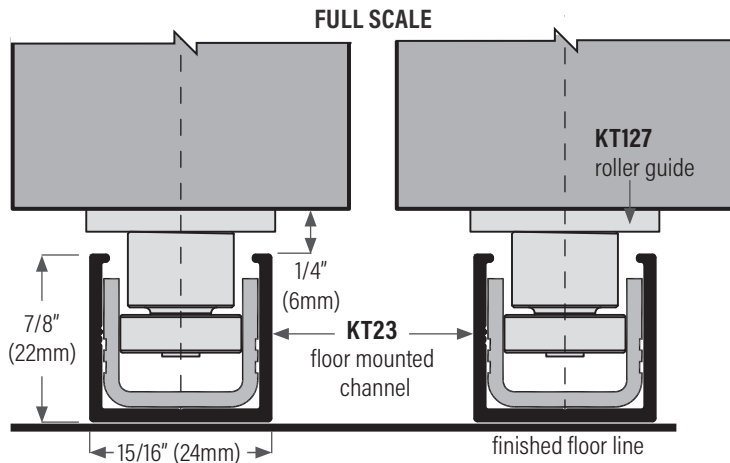
KT127SS
Bottom guide, ball bearing roller (stainless steel) for recessed floor channel



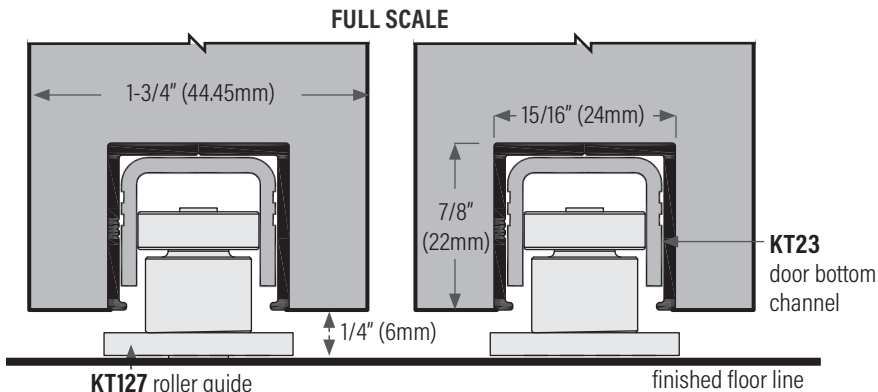
KT127SS1 ball bearing single roller, stainless steel



KT127SS2 ball bearing double roller, stainless steel



KT127SS
Bottom guide, ball bearing roller (stainless steel) for surface mount floor channel



KT127SS
Bottom guide, ball bearing roller (stainless steel) for door bottom channel

