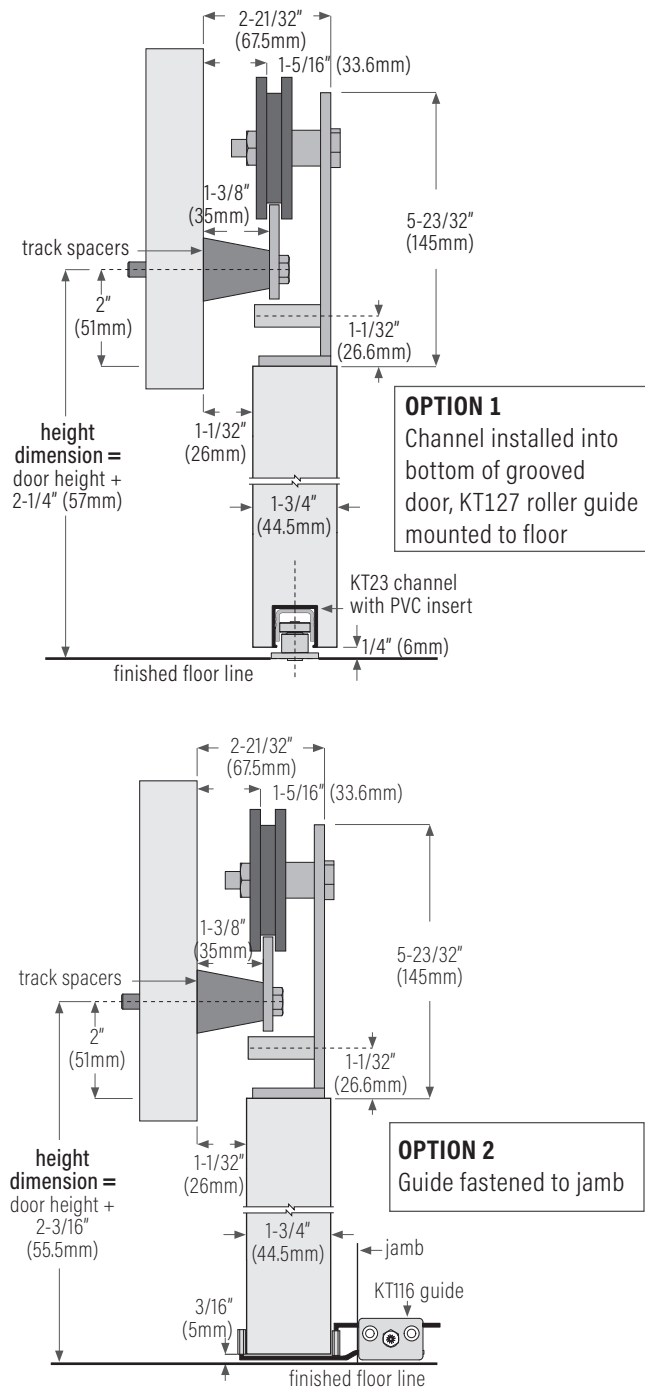


## **KTA8 All Stainless Steel (Satin or Black Finish)**

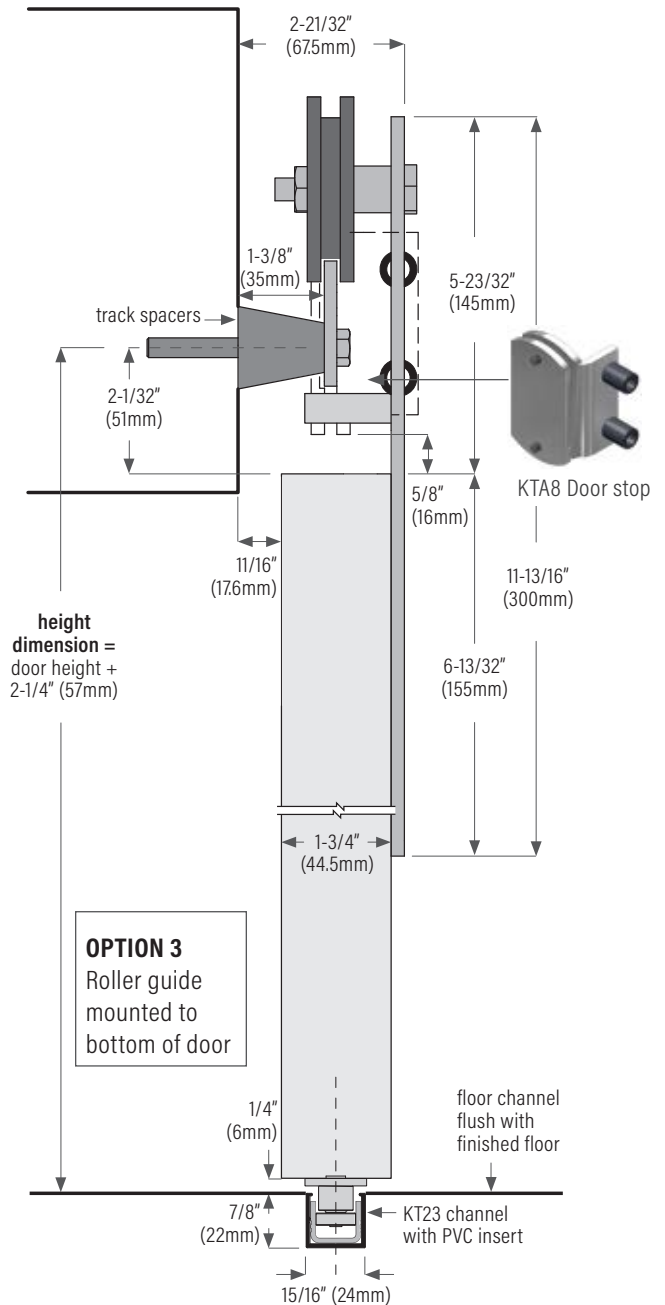
**Open Rail Track System for Sliding Doors**

# A8 Open Rail Track System for Sliding Doors, All Stainless Steel

## TOP MOUNT SIDE VIEW



## FACE MOUNT SIDE VIEW



## ARCHITECTURAL SPECIFICATIONS

- Max door weight:** 650 lbs (300kg) = 2 carriers
- Max door thickness:** 2-1/4" (57.15mm)
- Max door width:** 144" (12 ft / 3658mm)
- Max door height:** 144" (12 ft / 3658mm)

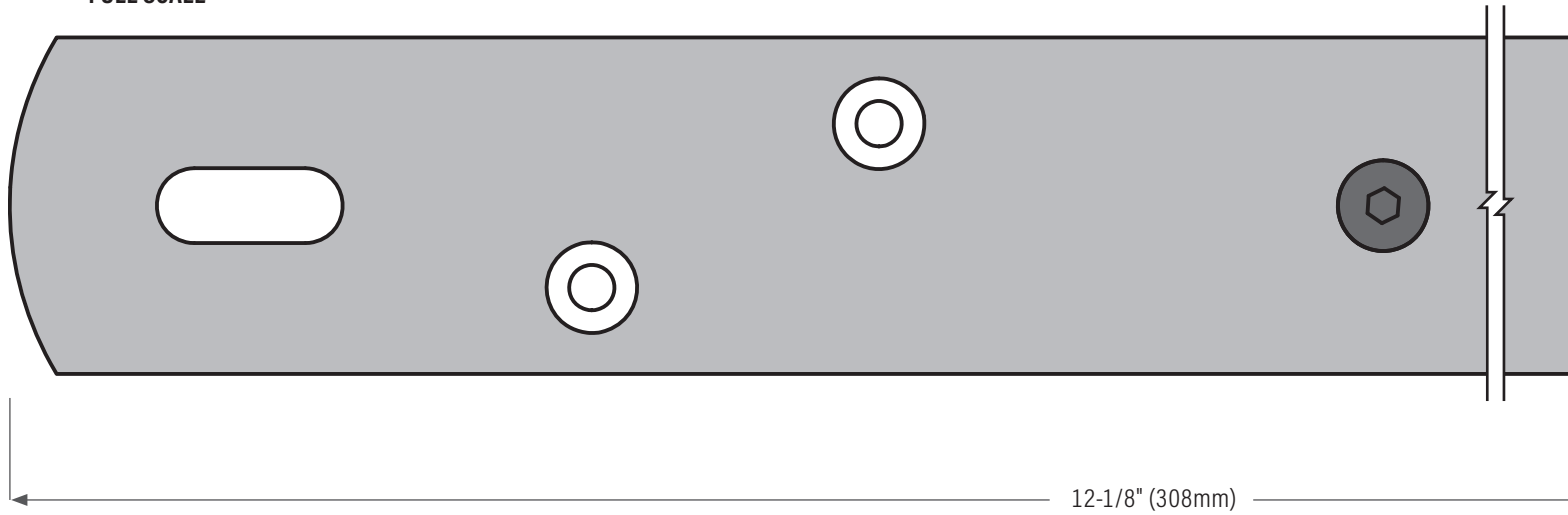
- Open rail:** flat bar stainless steel 304 (brushed or black)
- Carriers:** all stainless steel (face mount or top mount)
- Door stop:** all stainless steel with rubber bumpers
- Floor channel:** aluminum with pvc channel insert, bronze anodized
- Guides:** jamb mounted or floor mounted or bottom of door mounted

## PANEL SIZING

Weight dictates door dimensions, however for panels over 10 ft. (3000mm) wide, use three carriers for additional lateral support. If using three, adjust the middle carrier high to avoid it bearing any load.

# KTA8 Carrier Face Mount, Stainless Steel 304

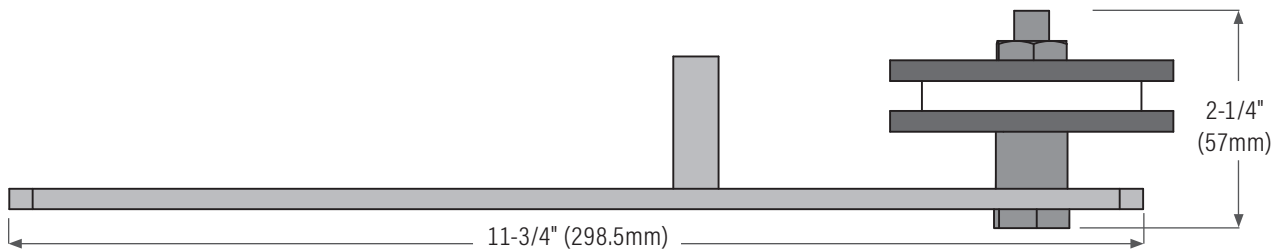
FULL SCALE



**KTA8FACEFCSS** Carrier, face mounted on door, brushed stainless steel.

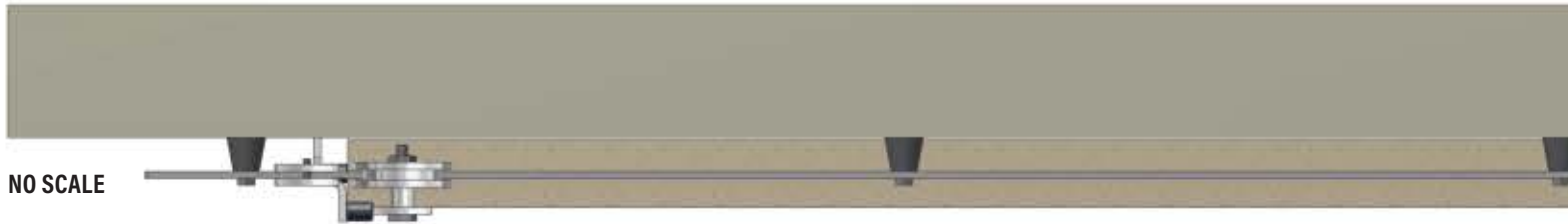
**KTA8FACEFCBL** Carrier, face mounted on door, black electro plating over stainless steel.

All carriers supplied with mounting fasteners.



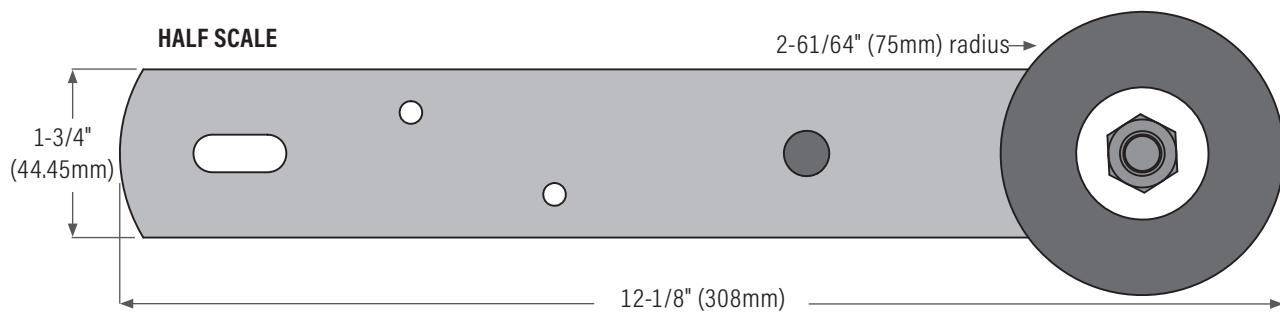
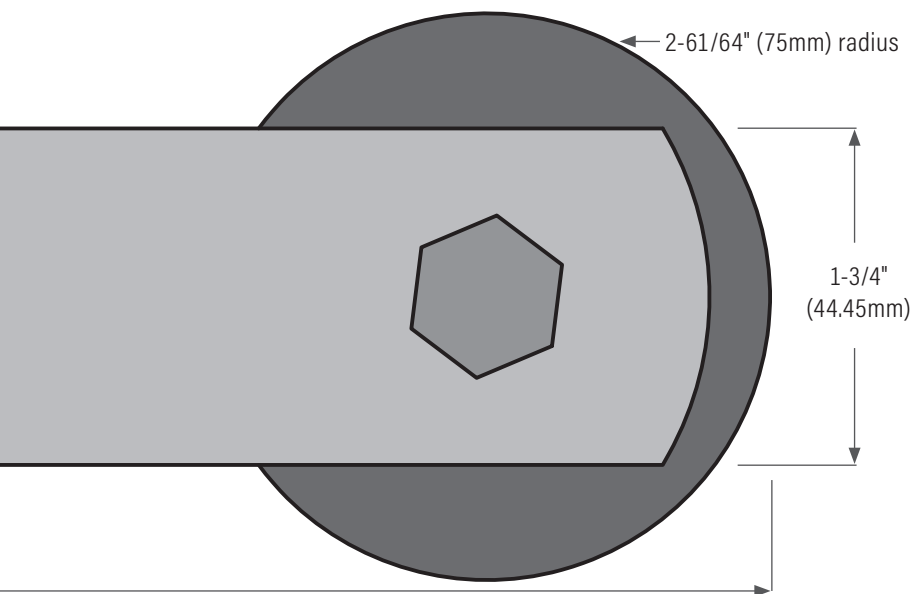
HALF SCALE

TOP VIEW

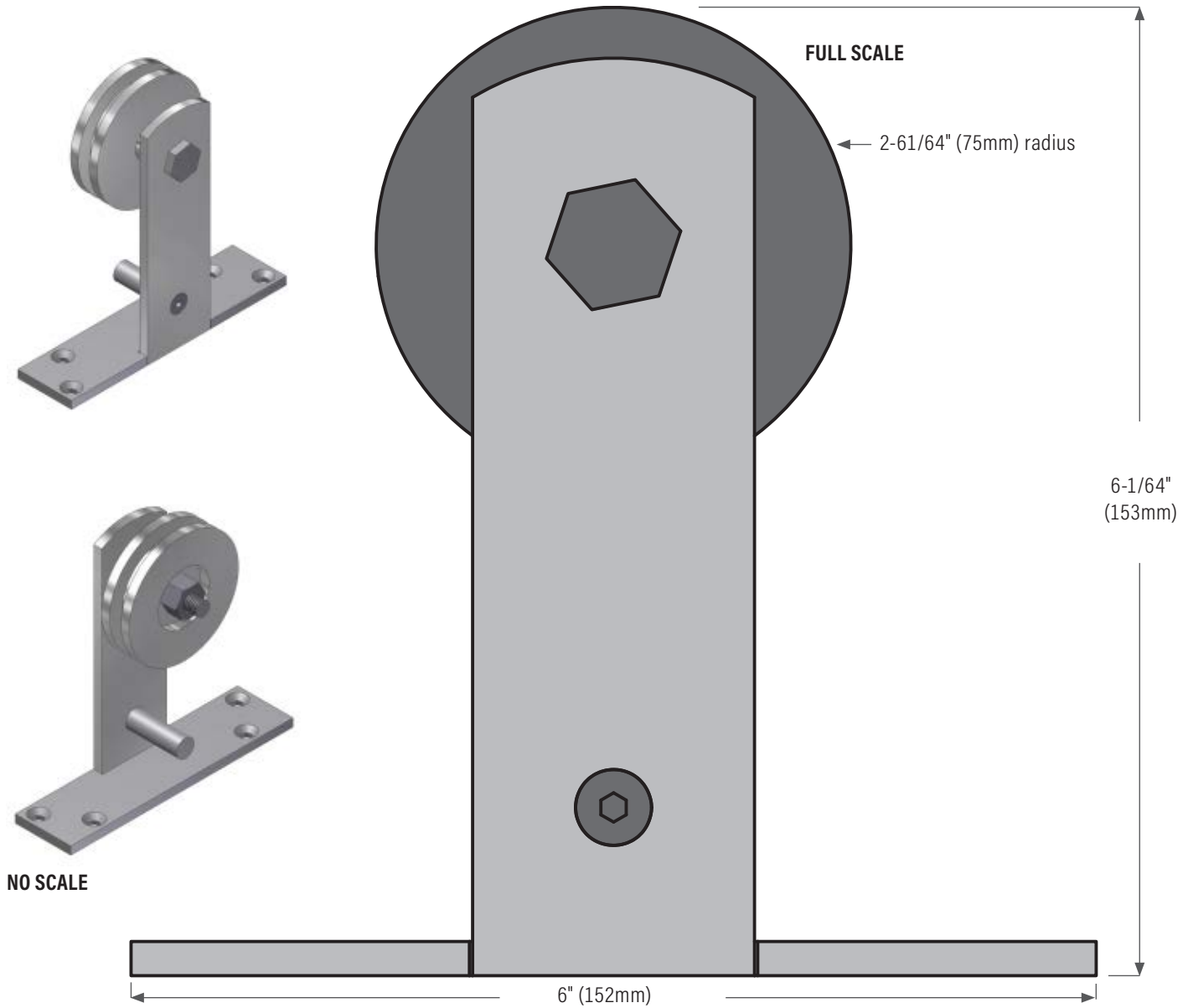


NO SCALE

# KTA8 Carrier Face Mount, Stainless Steel 304



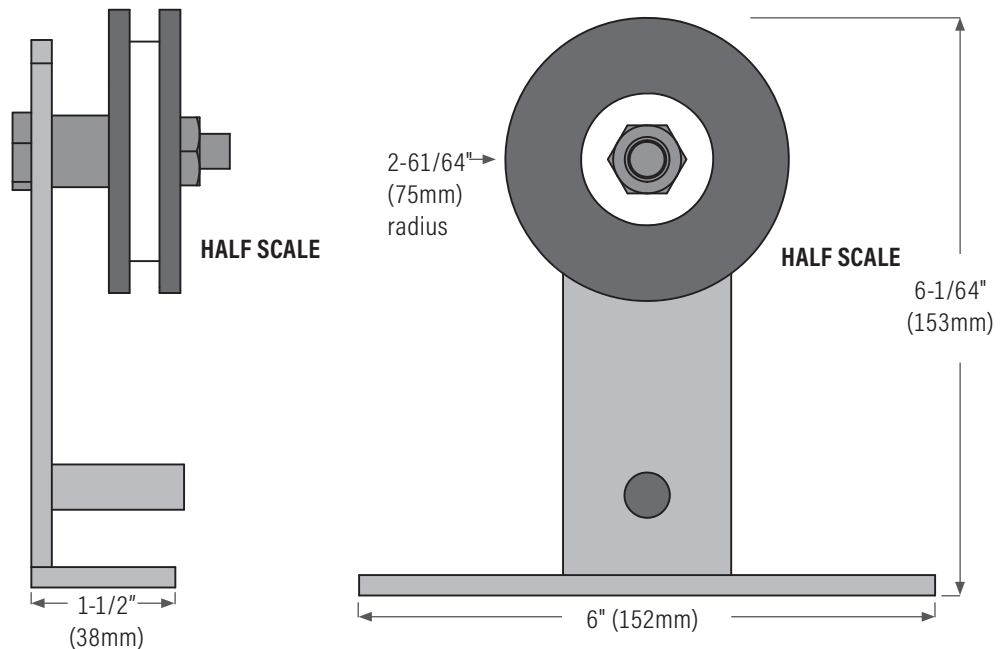
# A8 Carrier Top Mount, Stainless Steel 304



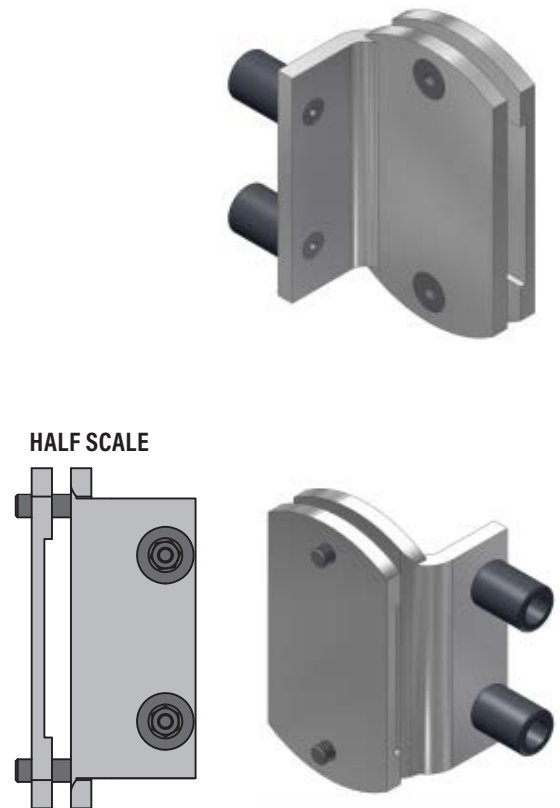
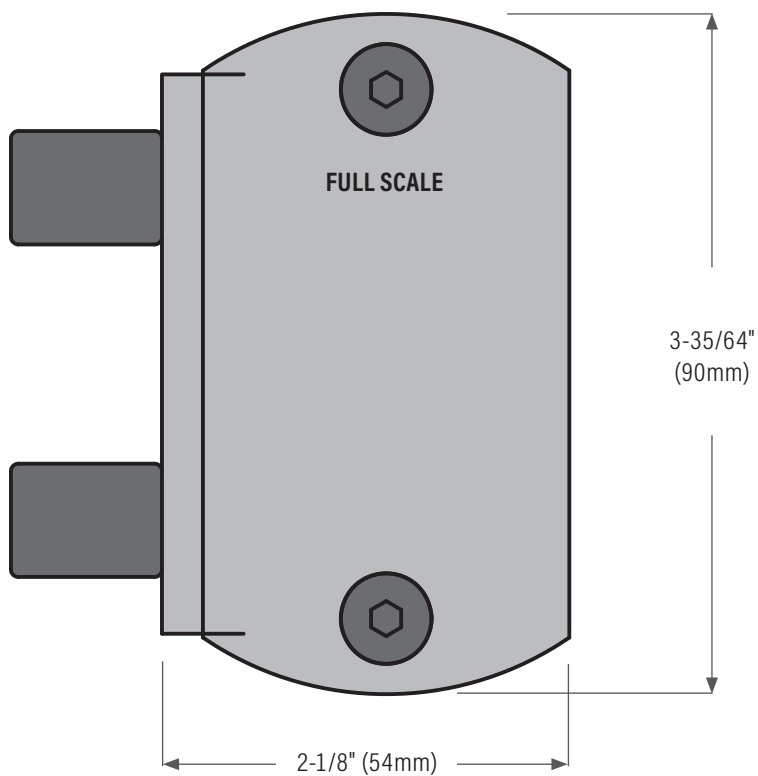
**KTA8TOPFCSS** Carrier, top mounted on door, brushed stainless steel.

**KTA8TOPFCBL** Carrier, top mounted on door, black electro plating over stainless steel.

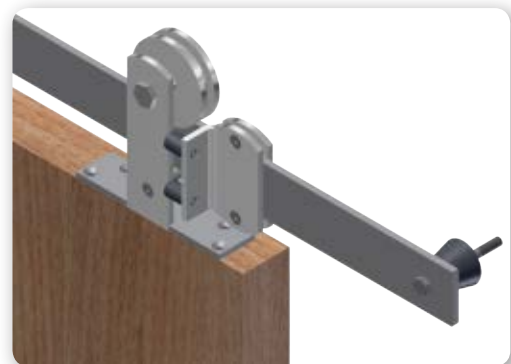
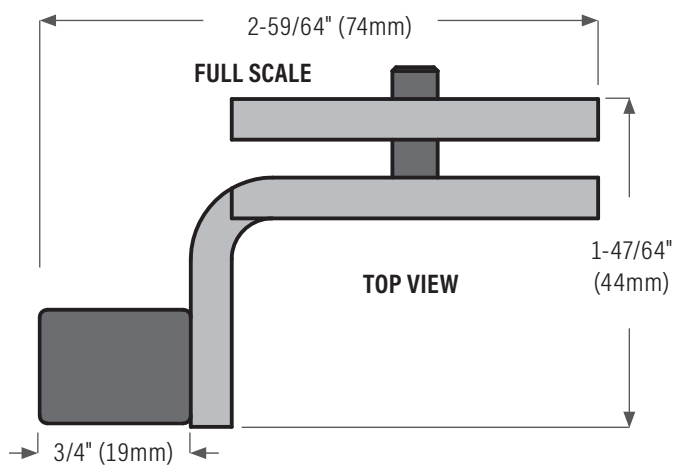
All carriers supplied with mounting fasteners.



# KTA8 Door Stop (Attaches to KTA8 open rail), Stainless Steel 304 with Rubber Bumpers

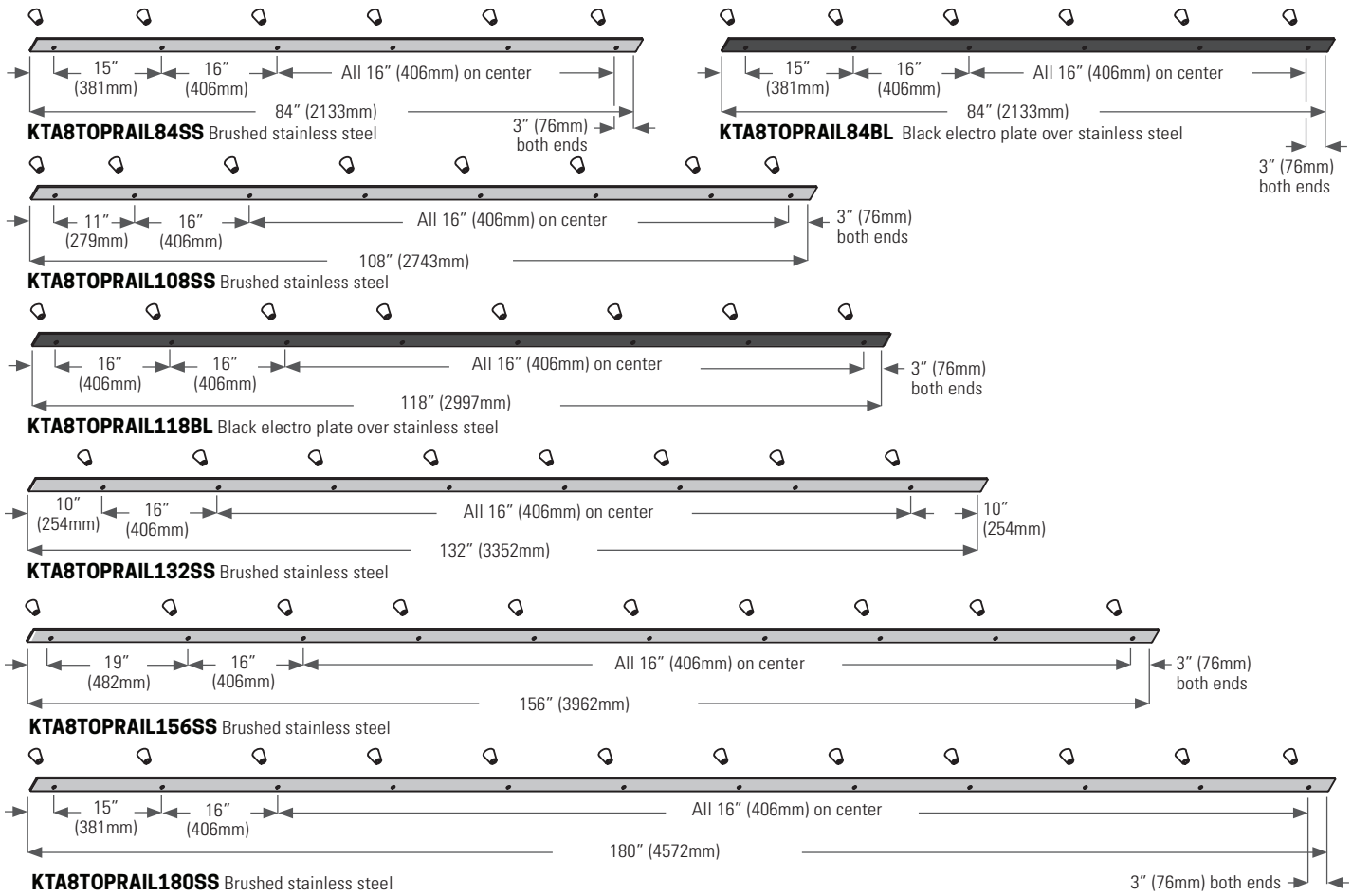


**KTA8DSTOPSS** Door stop, brushed stainless steel.  
**KTA8DSTOPBL** Door stop, black electro plating over stainless steel.



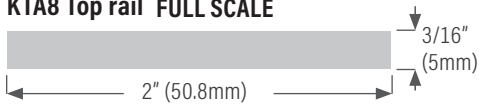
# KTA8 Open Rail, Flat Bar Track, Stainless Steel 304

**NOTE:** KTA8 open rail sold as complete system only: track, carriers, stops & guides

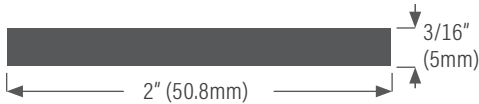


**NOTE:** Spacers not included with KTA8 open rail, order separately.

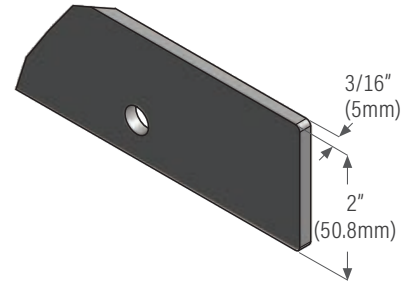
## KTA8 Top rail FULL SCALE



Brushed stainless steel  
 Available with mounting holes (standard) or without mounting holes (special order)

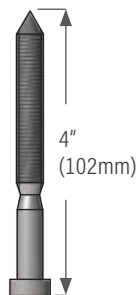
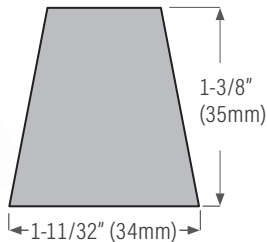


Black electro plate over stainless steel  
 Only available with mounting holes



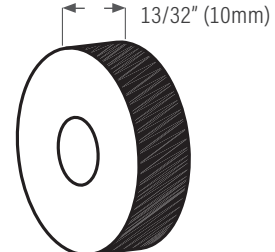
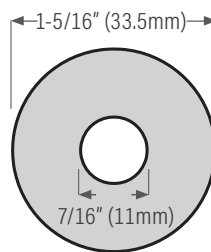
## KTA8 Spacers, Stainless Steel

**NOTE:** All spacers supplied with mounting fasteners



**KTA8SPACERSS** Spacer, brushed stainless steel.

**KTA8SPACERBL** Spacer, black electro plating over stainless steel.

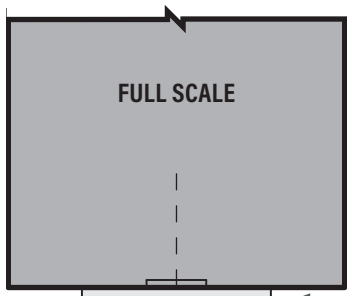


**KTA8S10MMSS** Spacer, brushed stainless steel, 10mm thick.

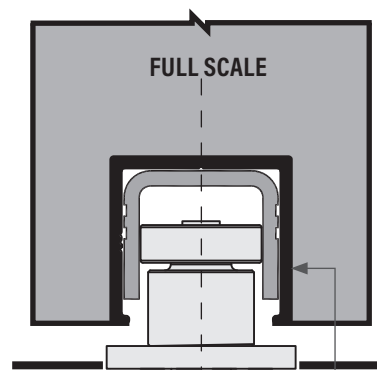
**KTA8S10MMBL** Spacer, black electro plating over stainless steel, 10mm thick.

Use with KTA8SPACERSS or KTA8SPACERBL

# KTA8 Floor Channel & Floor Guide



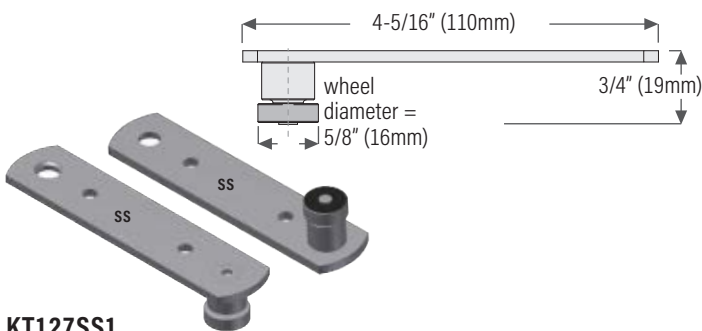
**KT127**  
roller guide mounted to  
bottom of door  
← floor channel installed  
flush with finished floor



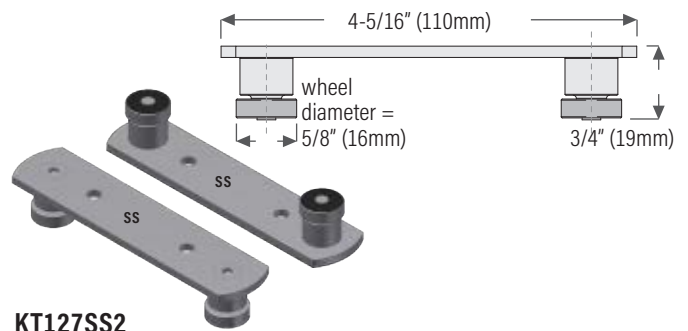
Channel installed into  
bottom of grooved  
door, KT127 roller  
guide mounted to floor

**KT23DV** Floor channel bronze anodized with PVC insert.

Lengths available: 36", 72", 111", 147", 183", 222", 294" (914mm, 1829mm, 2819mm, 3734mm, 4648mm, 5639mm, 7468mm)

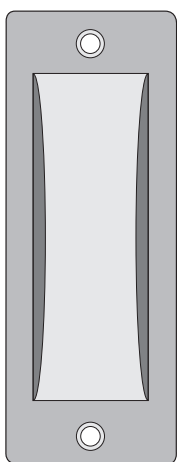


**KT127SS1**  
Bottom guide, ball bearing single roller (stainless  
steel) for floor channel or bottom door channel

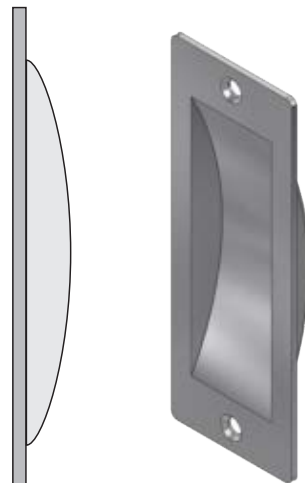


**KT127SS2**  
Bottom guide, ball bearing single roller (stainless  
steel) for floor channel or bottom door channel

**FRONT VIEW**



**SIDE VIEW**

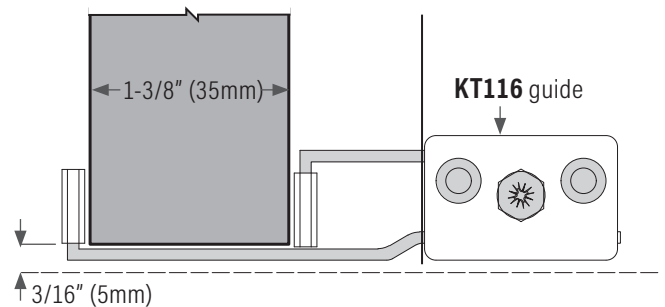


**KT174** flush pull mortise = 1-1/4" x 3-7/16"

**KT174BRZ** Flush pull, bronze

**KT174CH** polished chrome

**KT174DCH** dull chrome



**KT116** Adjustable bottom guide (metal & plastic), for doors up to  
1-3/4" (45mm) thick