

KTA2 Open Rail (Round) Track System & Hardware for Wood Doors

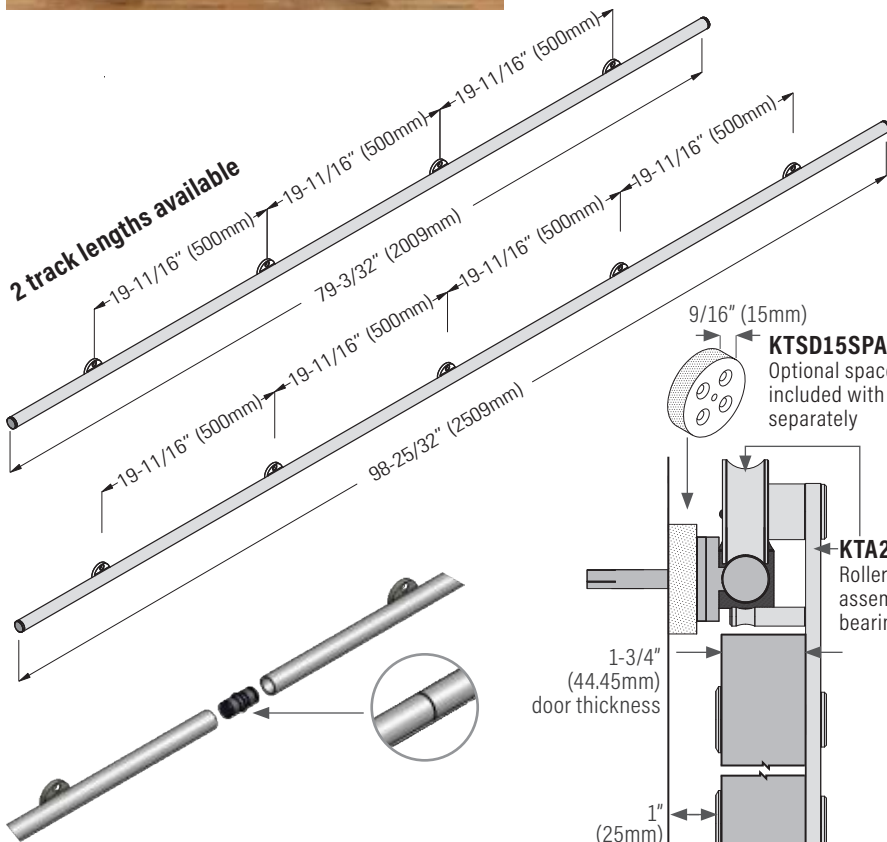
FACE MOUNT APPLICATION - MAX DOOR WEIGHT: 210 LBS (95 KG)



Each kit includes:

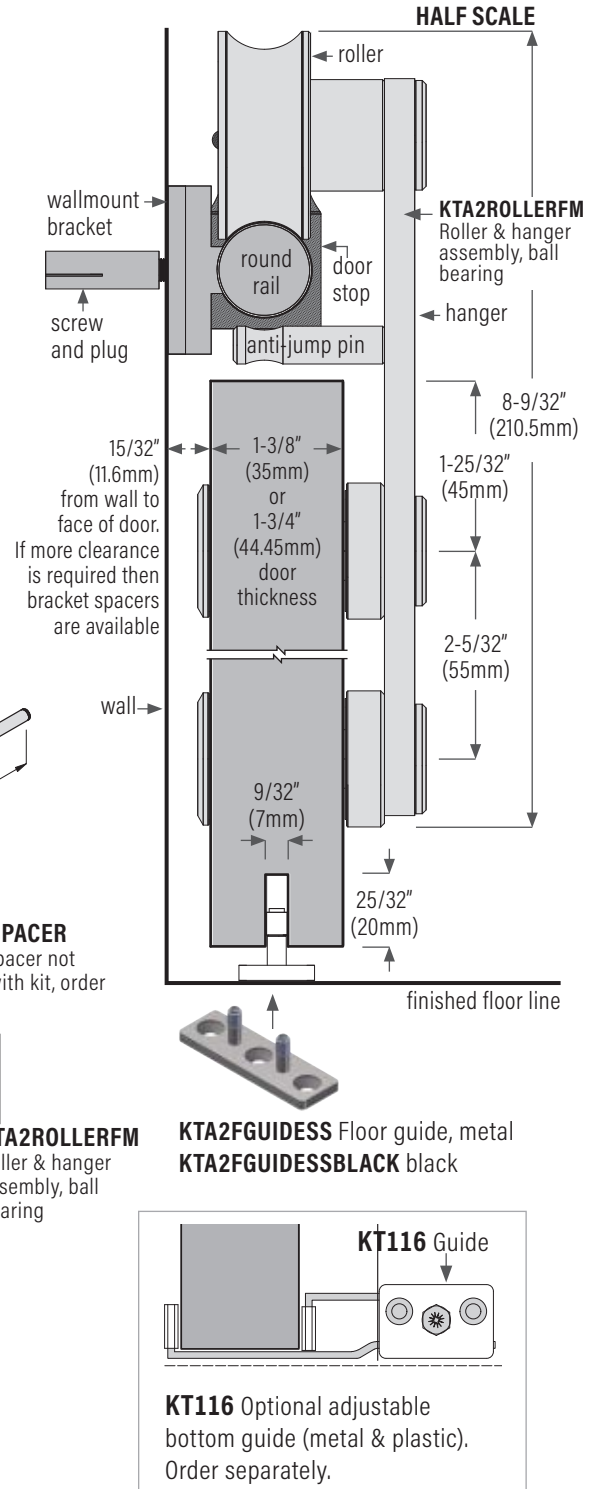
- 1 track
- 4 brackets (78" track) or 5 brackets (98" track)
- 2 rollers / hangers
- 1 guide
- 2 door stops

NOTE: Individual replacement parts available



KTA2RAILCON Connector piece, connects 2 pieces of rail end to end. Order separately.

- KTA2SS78FMKIT** A2 Round rail, stainless steel, 78" with 4 brackets, 2 door stops, 2 hangers face mount, 1 guide
- KTA2BL78FMKIT** A2 Round rail, black, 78" with 4 brackets, 2 door stops, 2 hangers face mount, 1 guide
- KTA2SS98FMKIT** A2 Round rail, stainless steel, 98" with 5 brackets, 2 door stops, 2 hangers face mount, 1 guide
- KTA2BL98FMKIT** A2 Round rail, black, 98" with 5 brackets, 2 door stops, 2 hangers face mount, 1 guide
- NOTE:** For biparting double doors, 2 of the above kits are required plus one connector piece (KTA2RAILCON)
- KTA2RAILCONSS** A2 Connector piece, stainless steel, for joining 2 rails end to end
- KTA2RAILCONSSBL** A2 Connector piece, black, for joining 2 rails end to end

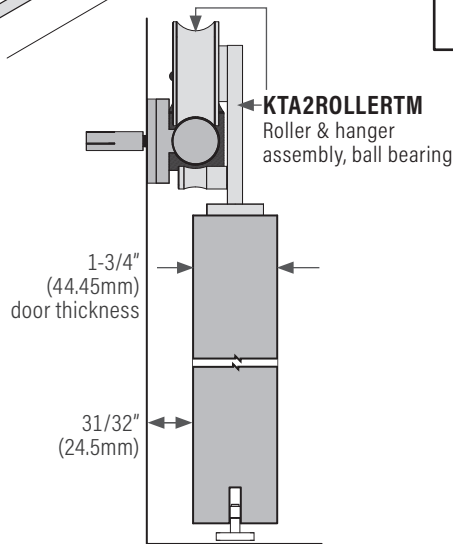
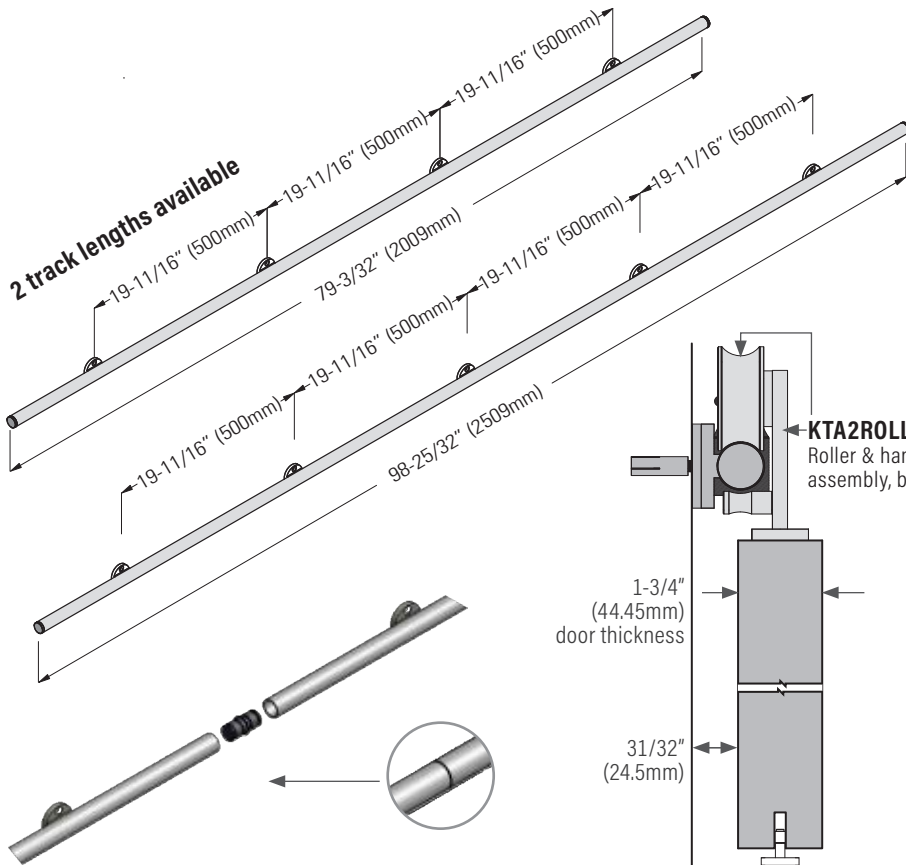
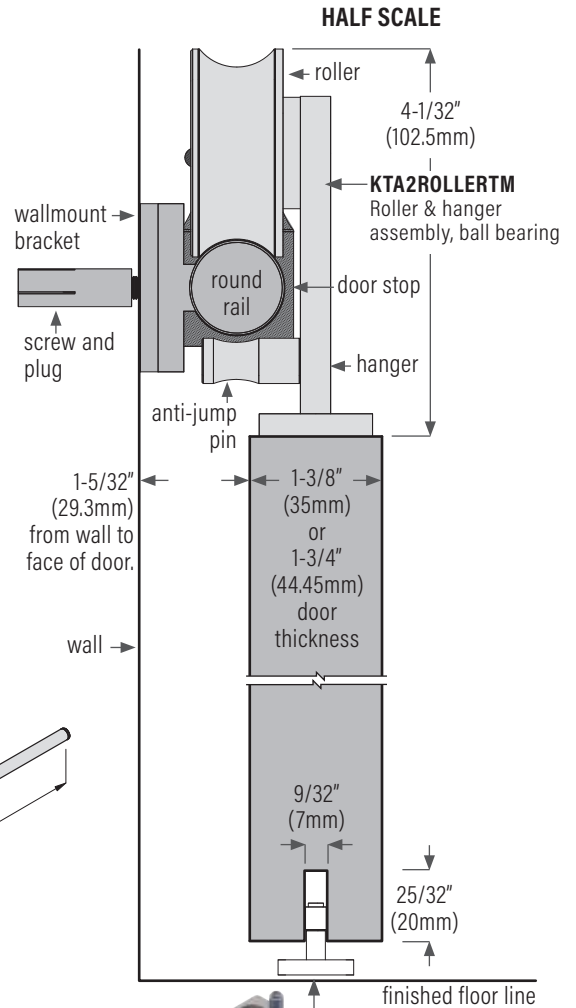


KTA2 Open Rail (Round) Track System & Hardware for Wood Doors

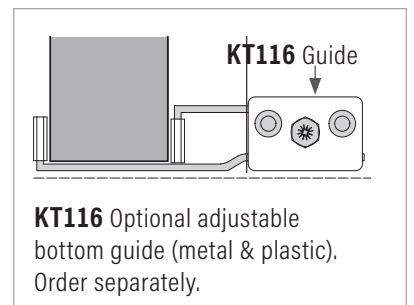
TOP MOUNT APPLICATION - MAX DOOR WEIGHT: 187 LBS (85 KG)



Each kit includes:
 1 track
 4 brackets (78" track) or
 5 brackets (98" track)
 2 rollers / hangers
 1 guide
 2 door stops
NOTE: Individual replacement parts available



KTA2FGUIDESS Floor guide, metal
KTA2FGUIDESSBLACK black



KTA2RAILCON Connector piece, connects 2 pieces of rail end to end. Order separately.

KTA2SS78TMKIT A2 Round rail, stainless steel, 78" with 4 brackets, 2 door stops, 2 hangers top mount, 1 guide

KTA2BL78TMKIT A2 Round rail, black, 78" with 4 brackets, 2 door stops, 2 hangers top mount, 1 guide

KTA2SS98TMKIT A2 Round rail, stainless steel, 98" with 5 brackets, 2 door stops, 2 hangers top mount, 1 guide

KTA2BL98TMKIT A2 Round rail, black, 98" with 5 brackets, 2 door stops, 2 hangers top mount, 1 guide

NOTE: For biparting double doors, 2 of the above kits are required plus one connector piece (KTA2RAILCON)

KTA2RAILCONSS A2 Connector piece, stainless steel, for joining 2 rails end to end

KTA2RAILCONSSBL A2 Connector piece, black, for joining 2 rails end to end