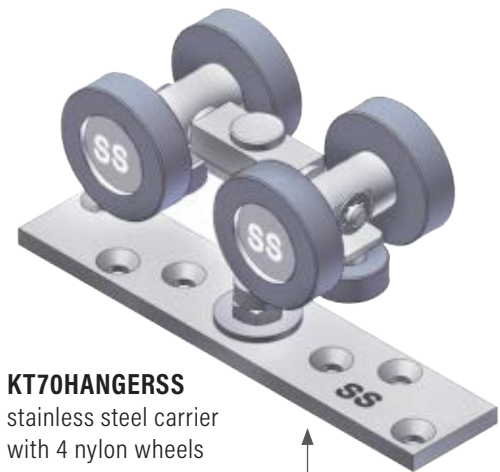
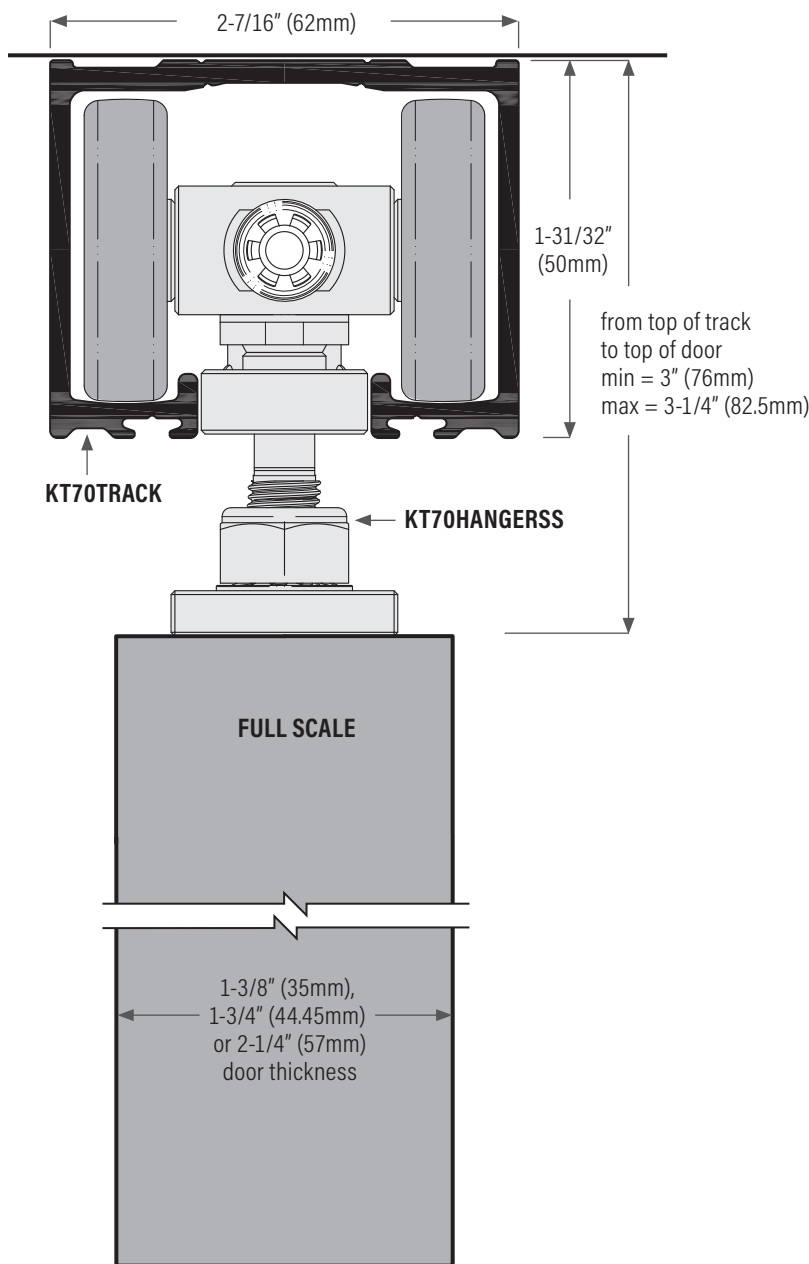


KT70 Commercial Series: Ceiling Mount Sliding Door Track & Hardware

MAXIMUM DOOR WEIGHT:	650 lbs (300 kg) = two hangers
MIN & MAX DOOR THICKNESS:	1-3/8" (35mm), 1-3/4" (44.45mm) or 2-1/4" (57mm)
MAXIMUM CAPACITY:	Width and height of the door may vary beyond standard sizes, provided the weight of the door does not exceed the maximum hanger weight listed. Weight check on door panel should always be performed by either manually weighing the door or checking manufacturing specs.
VERTICAL ADJUSTMENT:	1/4" (6.3mm)
TRACK:	Extruded aluminum bronze or clear anodized.
HANGER:	Stainless steel carrier, 4 nylon wheels, ball bearing
OPTIONS:	KT23 extruded aluminum floor channel or door bottom channel, bronze anodized, with PVC channel insert.



KT70HANGERS
stainless steel carrier
with 4 nylon wheels

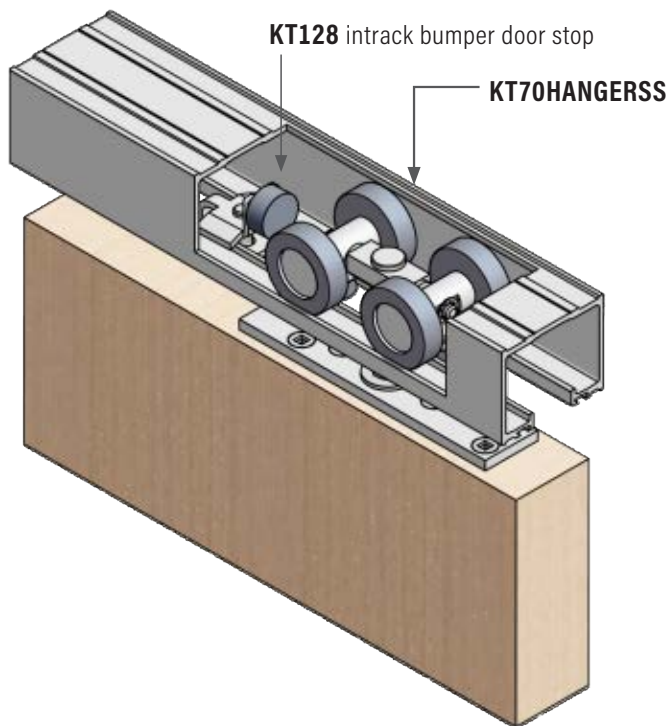
KT70RPLATE
Mounting plate only
for KT70HANGERS
(replacement part)



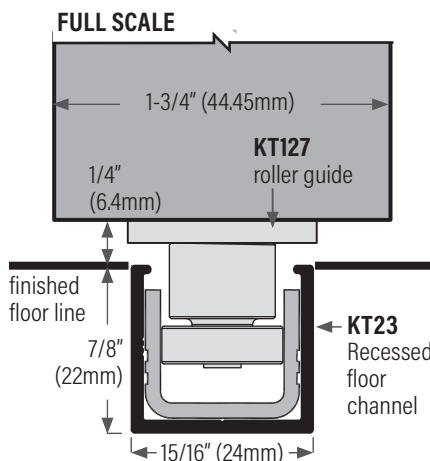
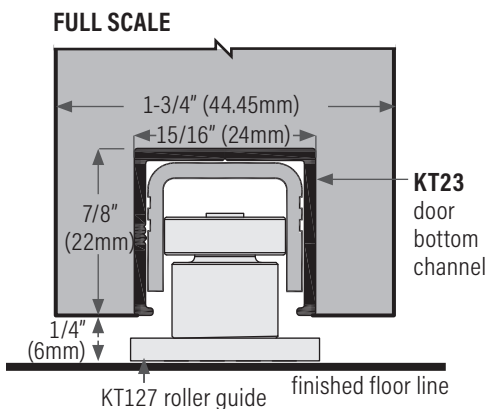
KT128 intrack door stop

No bottom guide included, with hanger, order separately

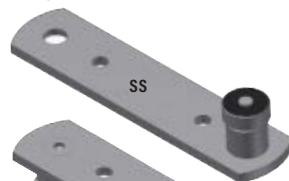
KT70 Commercial Series: Straight Sliding Door Track & Hardware, Ceiling Mount



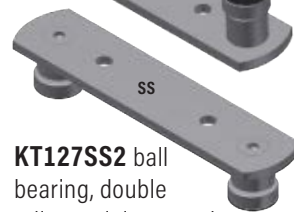
Bottom Guiding Options



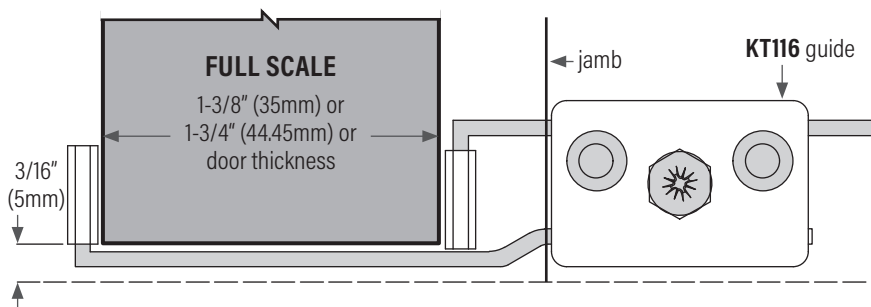
KT127SS1 ball bearing, single roller, stainless steel



KT127SS2 ball bearing, double roller, stainless steel



Jamb Mounted Guide for Wall Mounted Sliding Doors



KT116 Adjustable bottom guide (metal & plastic), for doors up to 1-3/4\" (45mm) thick