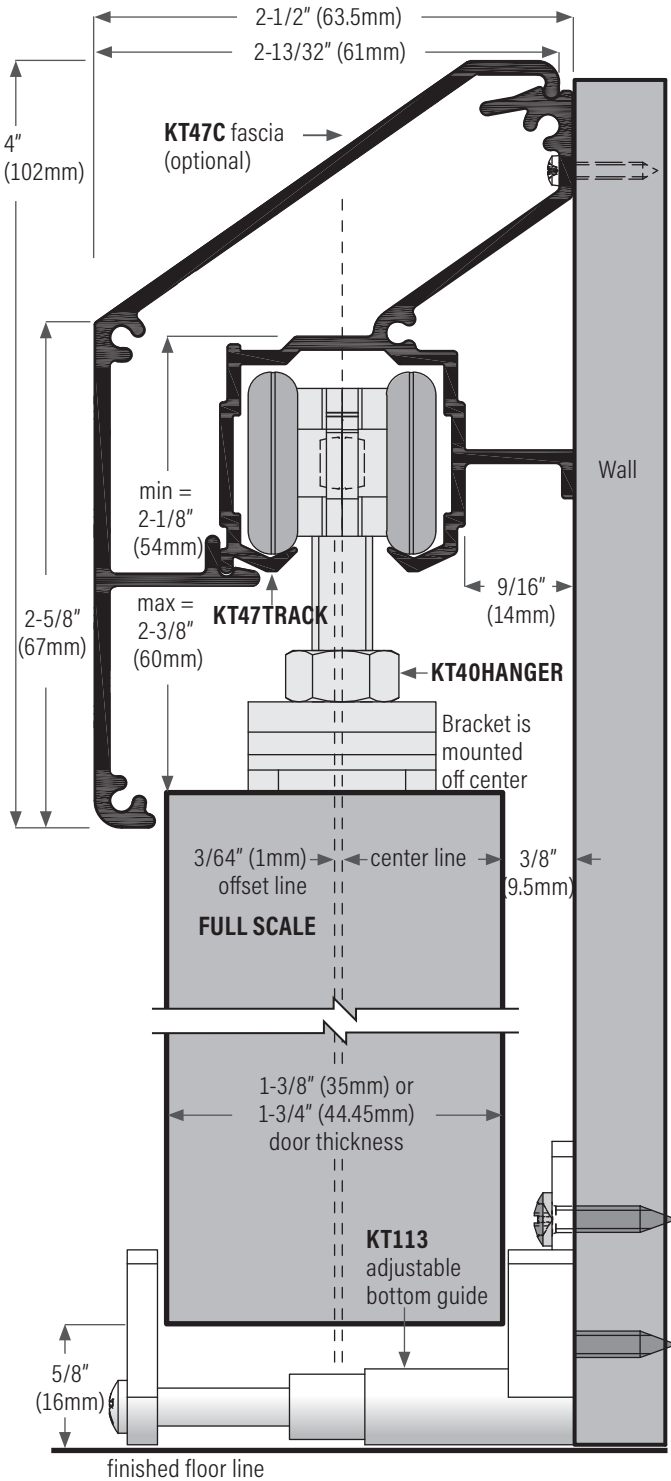


KT47 Commercial Series: Wall Mount Sliding Door Track, Hardware & Fascia

MAXIMUM CAPACITY:	Width and height of the door may vary beyond standard sizes, provided the weight of the door does not exceed the maximum hanger weight listed. Weight check on door panel should always be performed by either manually weighing the door or checking manufacturing specs.
VERTICAL ADJUSTMENT:	1/4" (6.4mm)
TRACK:	Extruded aluminum, mill finish.
HANGER:	Steel plated or cast carrier, 4 nylon wheels, ball bearing.
OPTIONS:	KT47C Fascia, extruded aluminum, clear anodized (standard). KT23 floor channel extruded aluminum, bronze anodized with PVC insert.



One Track, Two Hanger Choices:



KT38HANGER
(2 ea)

KT38KIT for 1 door application:

KT38HANGER (2 ea) hangers, KT102 (2 ea) floor mounted guide, KT113 (1 ea) adjustable bottom guide for wall mounted door, KT155 (1 ea) wrench, installation sheet plus all screws.

**Residential, max door weight:
132 lbs. (60 kg) = 2 hangers**



KT40HANGER
(2 ea)

KT40KIT for 1 door application:

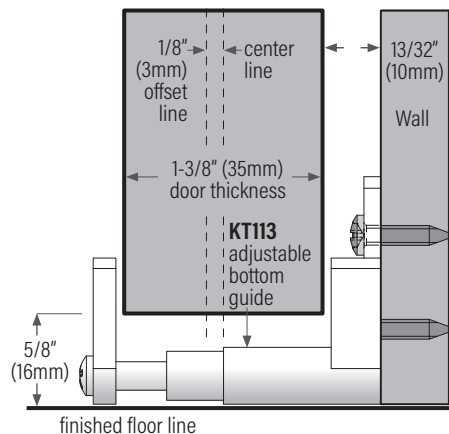
KT40HANGER (2 ea) hangers, KT102 (2 ea) floor mounted guide, KT113 (1 ea) adjustable bottom guide for wall mounted door, KT155 (1 ea) wrench, installation sheet plus all screws.

**Commercial, max door weight:
220 lbs. (100 kg) = 2 hangers**

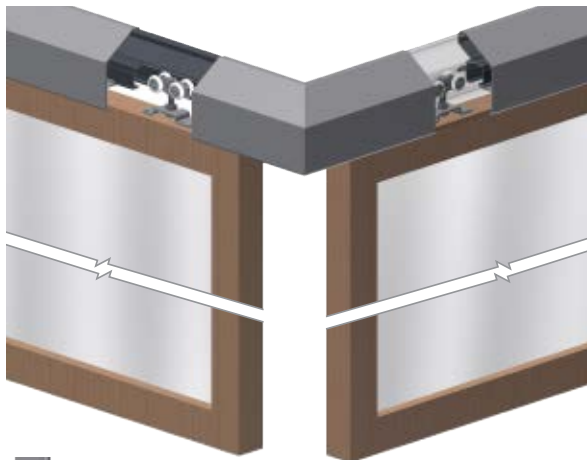


KT155
wrench (1 ea)

KT102 Floor guide (2 ea)



KT47 Commercial Series: Wall Mount Sliding Door Track, Hardware & Fascia

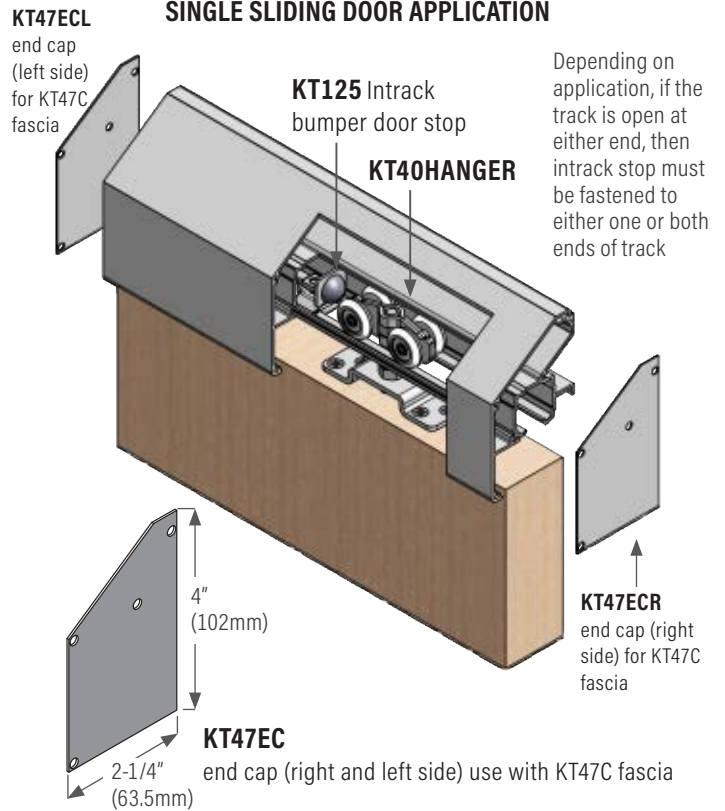


Outside Corner 90° Application

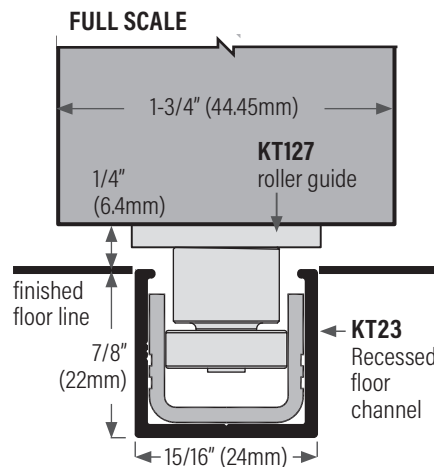
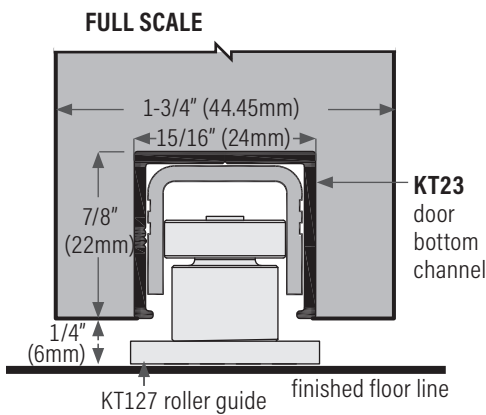
TOP VIEW

CORNER PREP BY OTHER

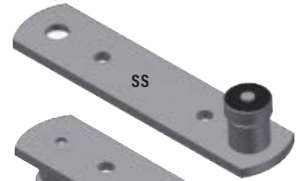
SINGLE SLIDING DOOR APPLICATION



Bottom Guiding Options



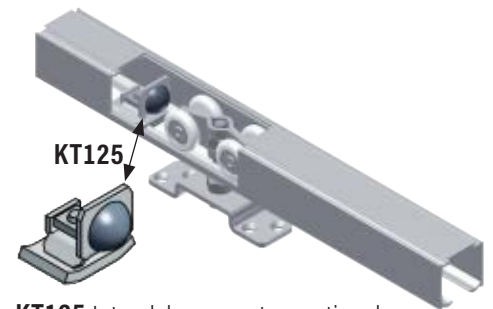
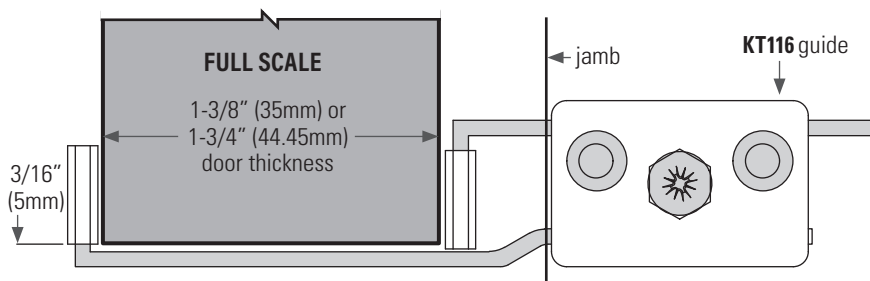
KT127SS1 ball bearing, single roller, stainless steel



KT127SS2 ball bearing, double roller, stainless steel



Jamb Mounted Guide for Wall Mounted Sliding Doors



KT125 Intrack bumper stop, optional

KT116 Adjustable bottom guide (metal & plastic), for doors up to 1-3/4" (45mm) thick