

KT41 Commercial Series: Ceiling Mount Sliding Door Track & Hardware

MAXIMUM DOOR WEIGHT: 385 lbs (175 kg) = 2 hangers (plated steel or stainless steel)

MIN & MAX DOOR THICKNESS: **Ceiling mount:** 1-3/8" (35mm), 1-3/4" (44.45mm) or 2-1/4" (57mm). **Wall mount:** 1-3/8" (35mm) to 1-3/4" (44.45mm).

MAXIMUM CAPACITY: Width and height of the door may vary beyond standard sizes, provided the weight of the door does not exceed the maximum hanger weight listed. Weight check on door panel should always be performed by either manually weighing the door or checking manufacturing specs.

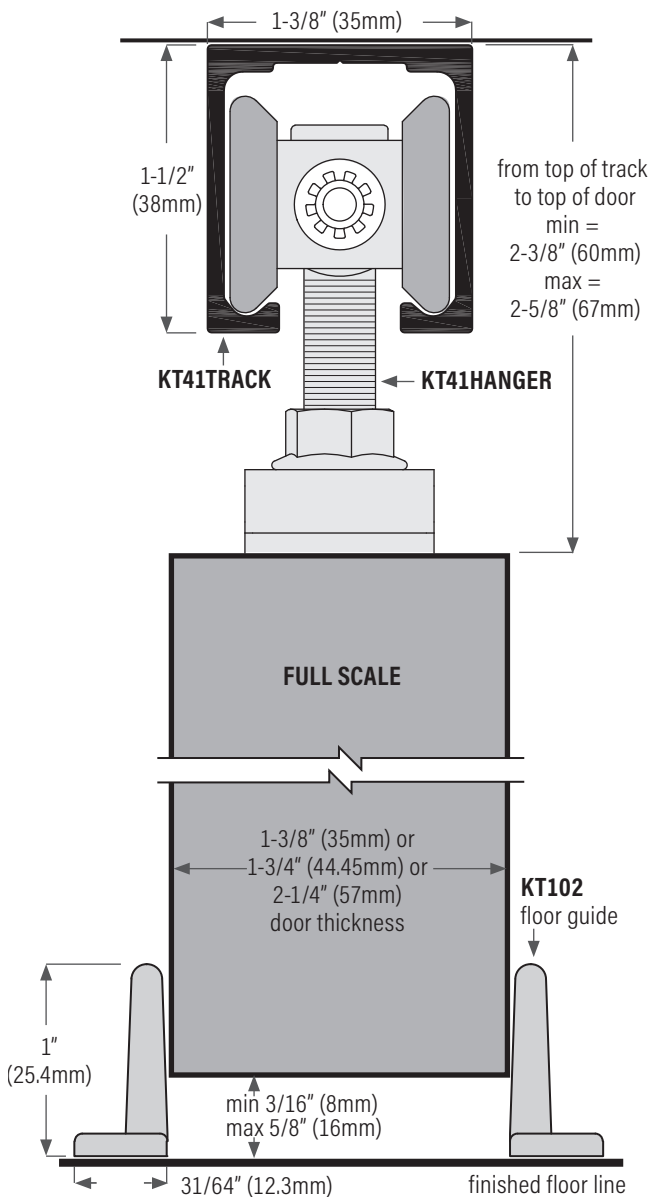
VERTICAL ADJUSTMENT: 1/4" (6mm)

TRACK: Extruded aluminum, clear or bronze anodized.


HANGER: Steel carrier, plated, 4 nylon wheels, ball bearing or Stainless steel carrier, 4 nylon wheels, ball bearing.

OPTIONS: KT23 floor channel extruded aluminum, bronze anodized with PVC insert. KT142 wall mount bracket. KT147 face door mount bracket.

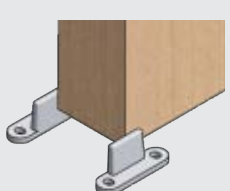
HARDWARE KITS: **KT41KIT** for single door application: KT41HANGER (2 ea) plated steel hangers, KT102 (2 ea) floor mounted guides, installation sheet plus all screws.
KT41KITSS for single door application: KT82HANGERSS plated (2 ea) stainless steel hangers, KT102 (2 ea) floor mounted guides, installation sheet plus all screws.



KT41KIT INCLUDES




KT41HANGER
 plated steel
 (2 ea)
 Max door weight:
 385 lbs. (175 kg) = 2
 hangers

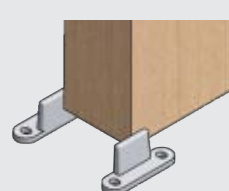


KT102 floor mounted
 guide (2 ea)

KT41KITSS INCLUDES



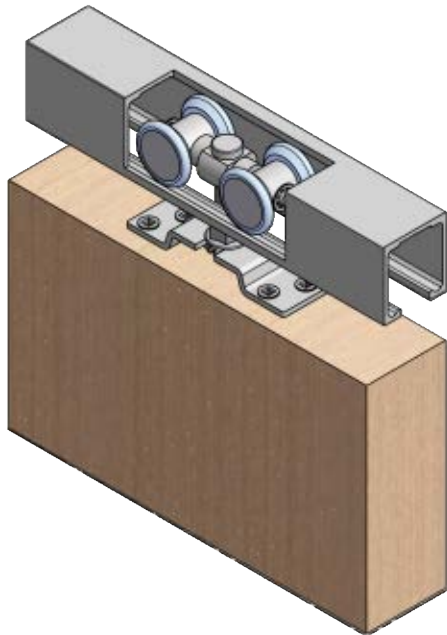
KT82HANGERSS
stainless steel
 (2 ea)
 Max door weight:
 385 lbs. (175 kg) = 2
 hangers



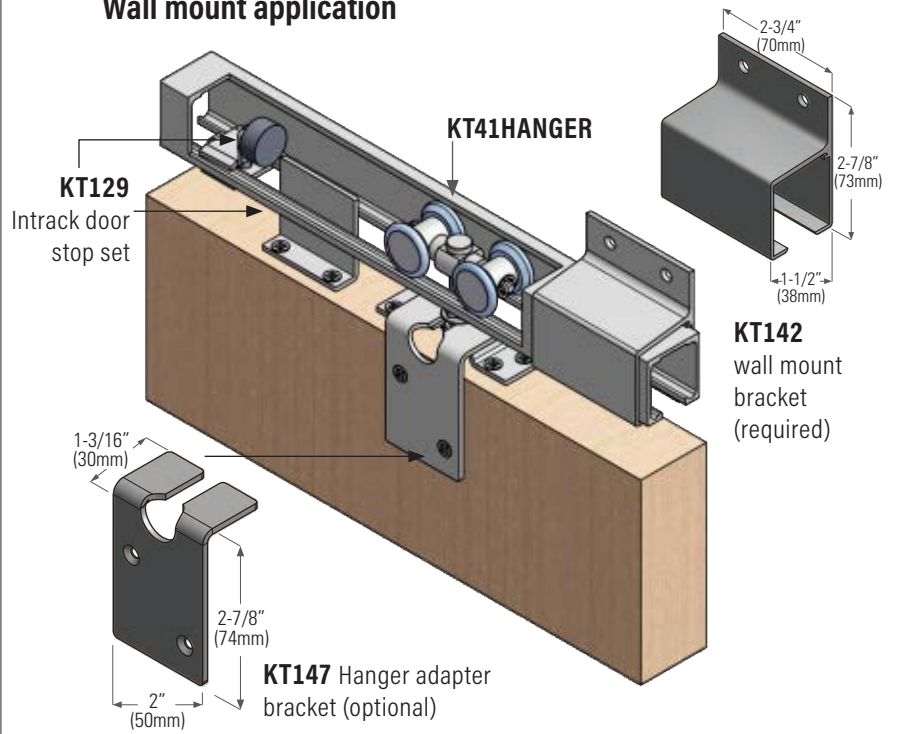
KT102 floor mounted
 guide (2 ea)

KT41 Commercial Series: Ceiling Mount Sliding Door Track & Hardware

Ceiling mount application

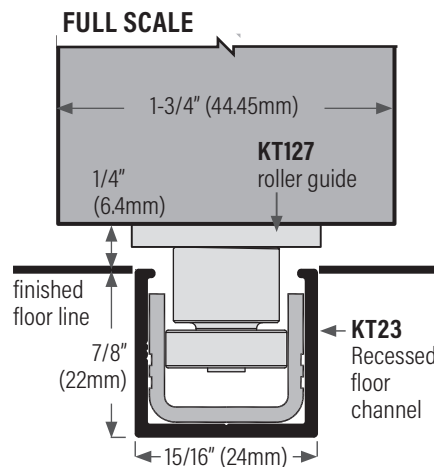
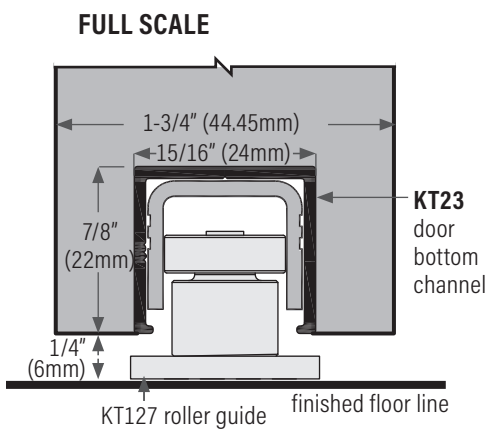


Wall mount application

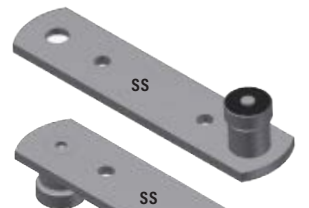


OPTIONS

Bottom Guiding



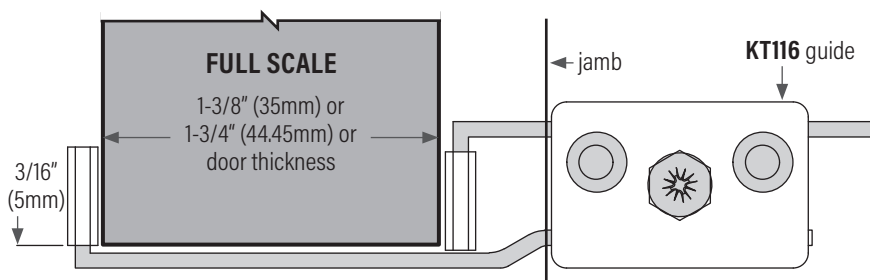
KT127SS1 ball bearing, single roller, stainless steel



KT127SS2 ball bearing, double roller, stainless steel



Jamb mounted guide for wall mounted sliding doors



KT116 Adjustable bottom guide (metal & plastic), for doors up to 1-3/4" (45mm) thick

Intrack door stop



KT129 intrack door stop set