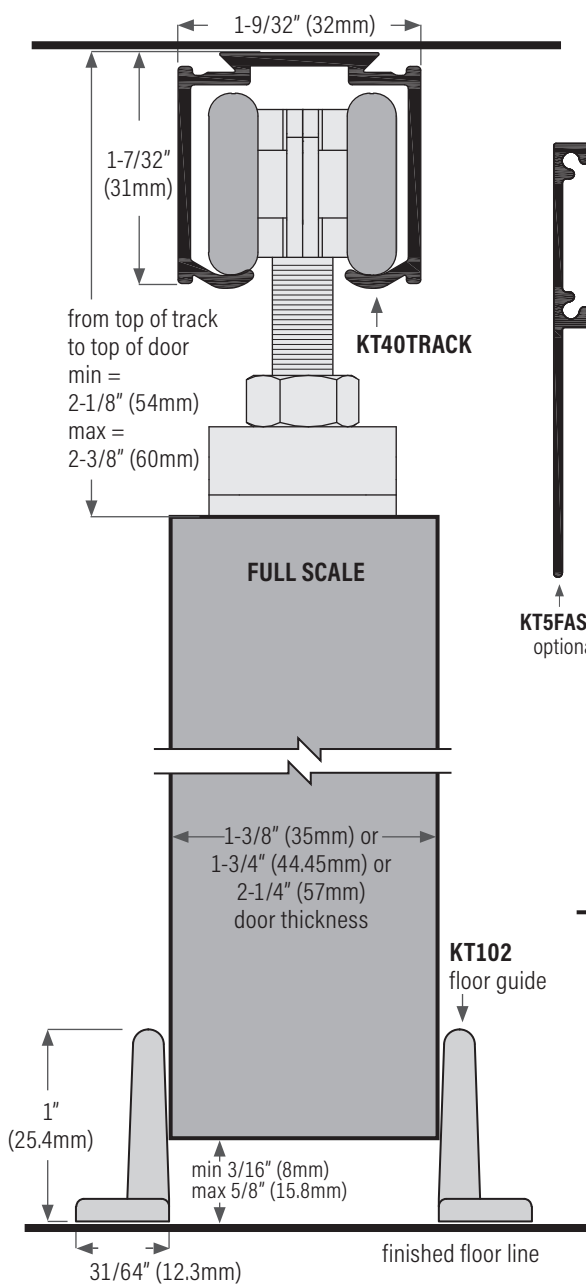


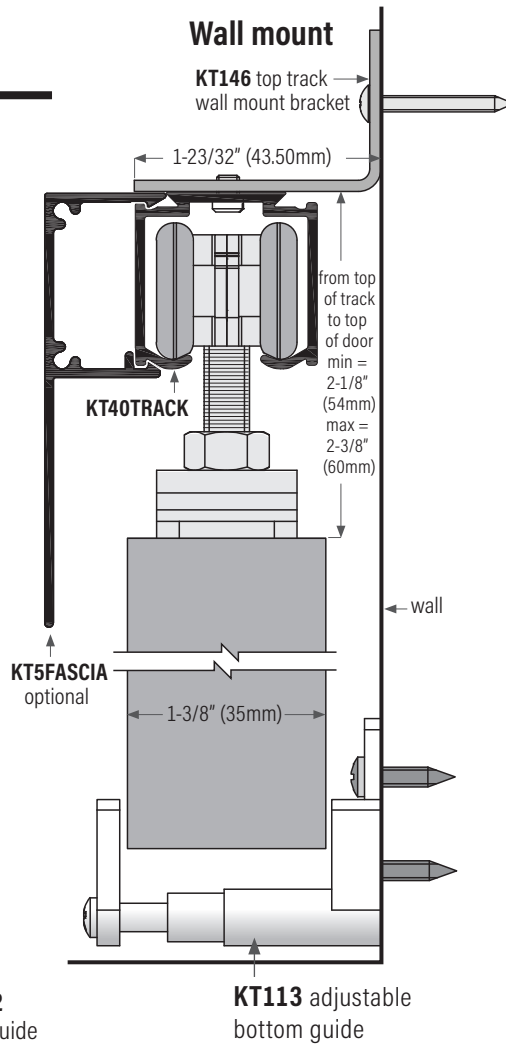
# KT40 Series: Single Track For Sliding Doors, Ceiling Or Wall Mount

<b>MAXIMUM CAPACITY:</b>	Width and height of the door may vary beyond standard sizes, provided the weight of the door does not exceed the maximum hanger weight listed. Weight check on door panel should always be performed by either manually weighing the door or checking manufacturing specs.
<b>VERTICAL ADJUSTMENT:</b>	1/4" (6.4mm)
<b>TRACK:</b>	Extruded aluminum, mill finish.
<b>HANGER:</b>	Steel plated or cast carrier, 4 nylon wheels, ball bearing.
<b>OPTIONS:</b>	KT23 floor channel extruded aluminum, bronze anodized with PVC insert. Also available KT20 & KT19 floor channels. KT146 wallmount brackets. KT151 face door mount bracket.

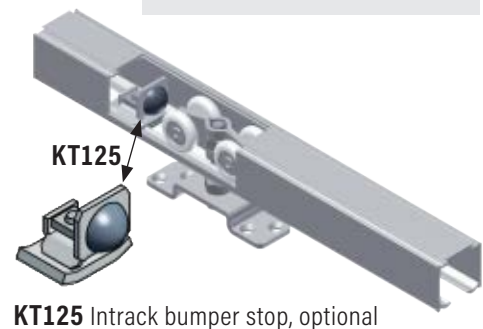
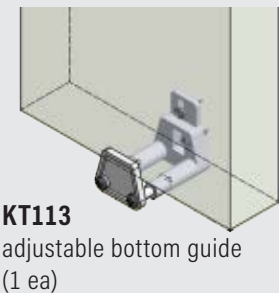
## Ceiling mount



## Wall mount



## KIT INCLUDES:



# KT40 Series: Single Track For Sliding Doors, Ceiling Or Wall Mount

## One Track, Three Hanger Choices:



### KT35KIT for 1 door application:

KT35HANGER (2 ea) hangers, KT102 (2 ea) floor mounted guide, KT113 (1 ea) adjustable bottom guide for wall mounted door, KT155 (1 ea) wrench, installation sheet plus all screws.  
For biparting doors order two kits (KT35KIT) and two (KT125) intrack door stops.

**Residential, max door weight: 100 lbs. (45 kg) = 2 hangers**



### KT38KIT for 1 door application:

KT38HANGER (2 ea) hangers, KT102 (2 ea) floor mounted guide, KT113 (1 ea) adjustable bottom guide for wall mounted door, KT155 (1 ea) wrench, installation sheet plus all screws.  
For biparting doors order two kits (KT38KIT) and two (KT125) intrack door stops.

**Residential, max door weight: 132 lbs. (60 kg) = 2 hangers**

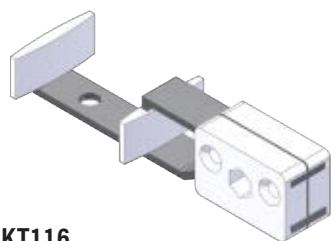
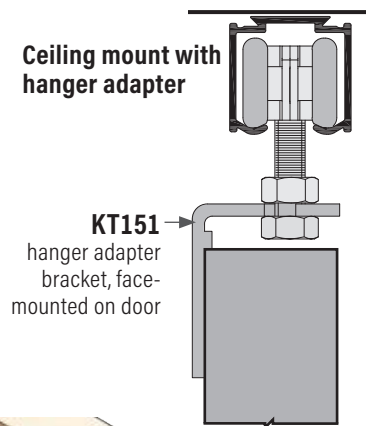
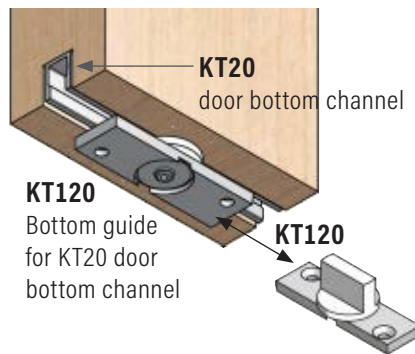
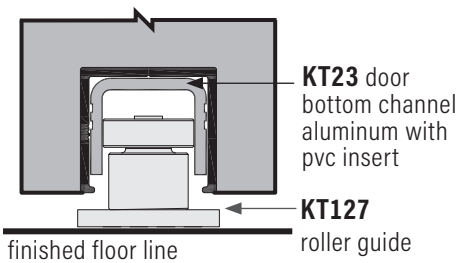


### KT40KIT for 1 door application:

KT40HANGER (2 ea) hangers, KT102 (2 ea) floor mounted guide, KT113 (1 ea) adjustable bottom guide for wall mounted door, KT155 (1 ea) wrench, installation sheet plus all screws.  
For biparting doors order two kits (KT40KIT) and two (KT125) intrack door stops.

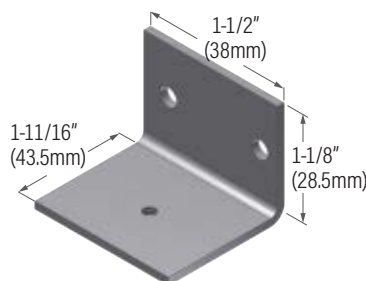
**Commercial, max door weight: 220 lbs. (100 kg) = 2 hangers**

## OPTIONS

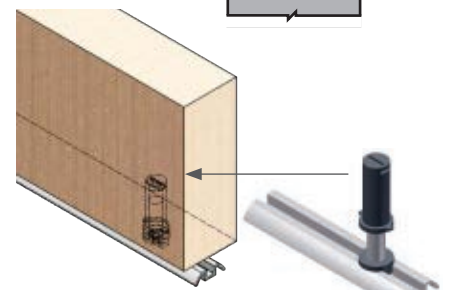


### KT116

Adjustable bottom guide (metal & plastic) jamb mounted for wall mounted door 1-3/8" or 1-3/4" door thickness



**KT146** Wall-mount bracket (metal) for KT40 Series track, order separately



**KT114** Bottom guide (plastic), spring loaded, for KT19 floor channel