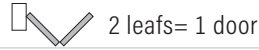


KT10 Residential Series: Bifold Door Track & Hardware

MAXIMUM DOOR WEIGHT: 30 lbs (13.6 kg) per bifold door = 2 leaves



MIN & MAX DOOR THICKNESS: 3/4" (19mm) to 1-3/8" (35mm).

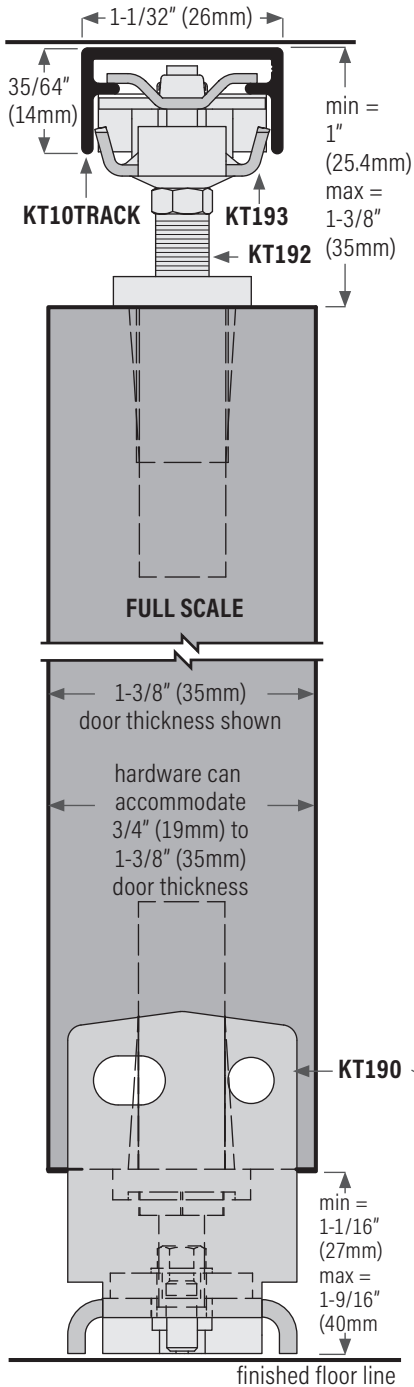
MAXIMUM CAPACITY: Max leaf width 24" (609mm). Max door height 80" (3032mm)

VERTICAL ADJUSTMENT: 3/8" (9.5mm).

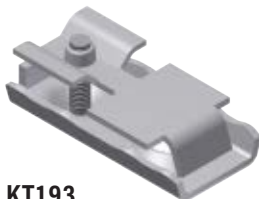
TRACK: Extruded aluminum, painted white. KT193 (1 ea) top pivot bracket included in track up to and including 36" (914mm). Track lengths of 48" (1219mm) and greater include 2 brackets.

HANGER / PIVOTS: Steel and plastic.

HARDWARE KITS: KT10KIT for 1 door (2 leaf) application KT189 (1 ea) bifold door knob, KT190 (1 ea) bottom jamb bracket, KT191 (1 ea) door bottom pivot, KT192 (1 ea) top door pivot, KT194 (1 ea) top roller guide, KT195 (1 ea) two leaf snigger, KT197 (1 ea) door aligner.



KT194
Top roller guide,
spring loaded



KT193
Intrack top bracket (included
with top track)



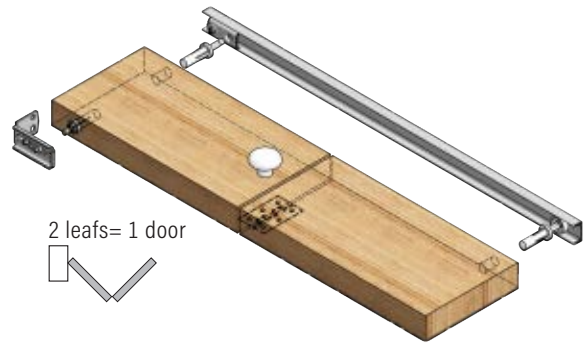
KT192
Top door
pivot spring
loaded



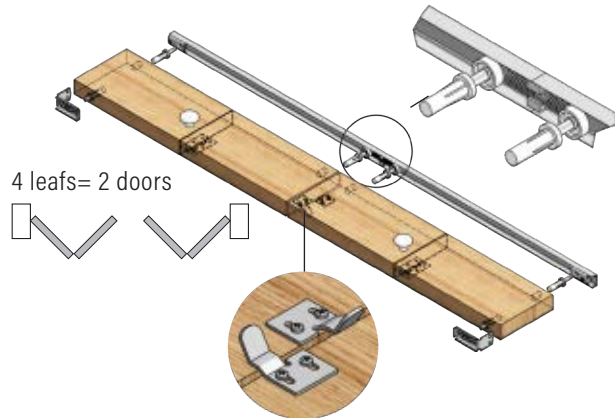
KT191
Door
bottom
pivot



KT190
Bottom jamb bracket



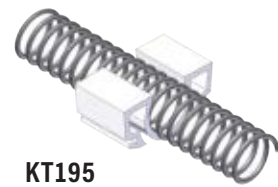
2 leaves = 1 door



4 leaves = 2 doors



KT189 Bifold door
knob, white plastic



KT195
2 leaf snigger (1 door)



KT197 Door aligner