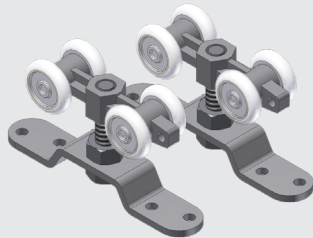


KT38PDKIT: max door weight: 132 lbs (60kg) = 2 hangers

KT40PDKIT: max door weight: 220 lbs (100kg) = 2 hangers

PARTS IN THE KIT



Hangers (2 ea)

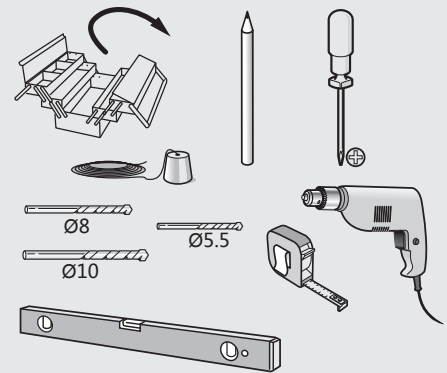


KT107
Door guide (1 ea)



KT155
wrench (1 ea)

RECOMMENDED TOOLS



ROUGH OPENING (RO):

RO in width: 2 times the door size plus 2" (51mm)

RO in height: 4-1/4" (108mm) more than door height

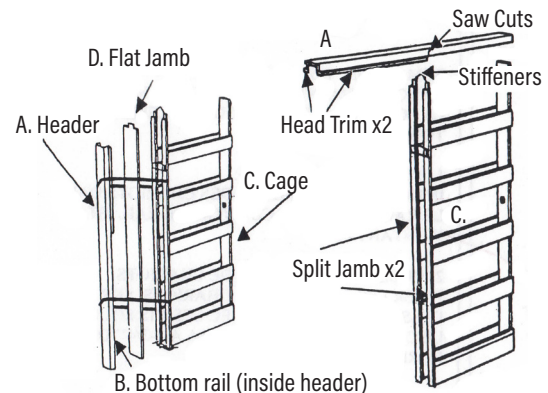
Double pocket door frame: 4 times door width, + 2" (50.8mm)

1

Begin by fastening header (A) to top of cage (C). Slide stiffeners into saw cuts of header ensuring track is facing down towards cage. Fasten through back of each split jamb into head trim and through header to back top of cage.

Pocket frame parts:

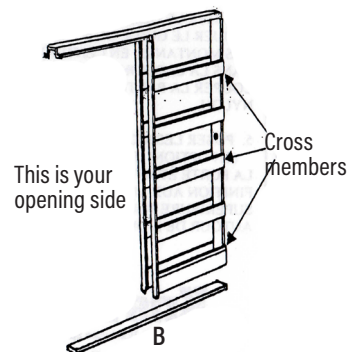
A. Header B. Bottom Rail C. Cage D. Flat Jamb



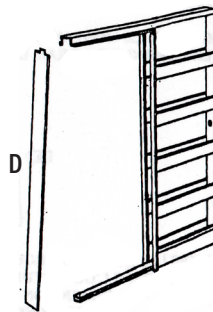
2

Install bottom rail (B) into cage by fastening through sides of bottom cross member and back of cage.

NOTE: The bottom rail runs the width of the pocket frame for ease of installation only. The portion installed inside the cage will remain in place and later be used to fasten the frame to the sub floor. The remaining piece in the opening will later be cut out and removed.



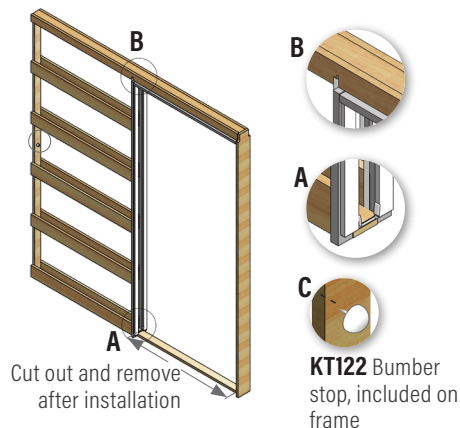
- 3** Fasten the flat jamb (D) to the outer edge of the header and the bottom rail (see diagram). **NOTE:** The flat jamb does not fit into the header or sit on top of the bottom rail.



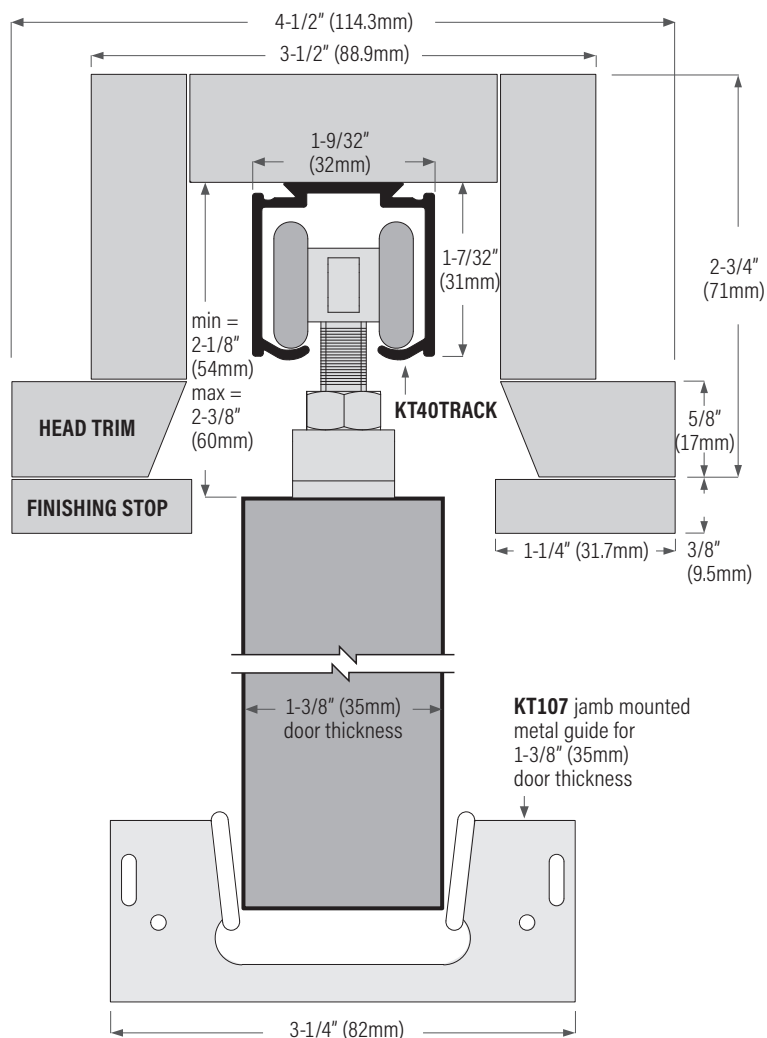
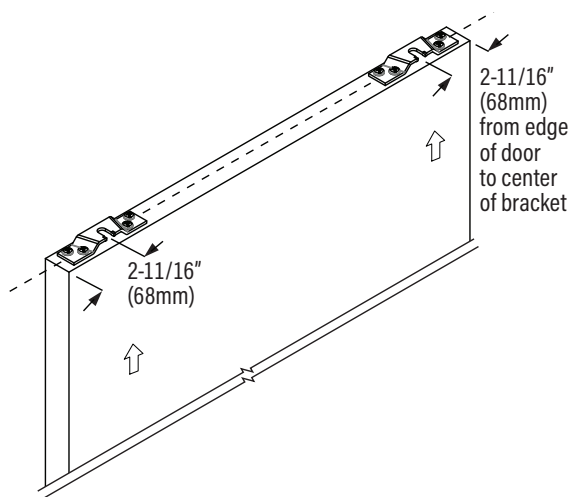
Once all four pieces are securely fastened together, the frame is ready for installation in the rough opening.

- 4** Fit pocket frame into rough opening. Square, level and plumb frame both ways and secure. The bottom rail inside the cage can now be fastened down to the subfloor with the remaining piece being cut off. We recommend replacing stock track screws with longer screws which is attached to the header. Once frame is secured in place, remove all spacers from frame.

NOTE: The wood spacers (see diagram) are used for shipping and installation only. Remove all spacers including wood pieces used to store hardware on the back of the frame.



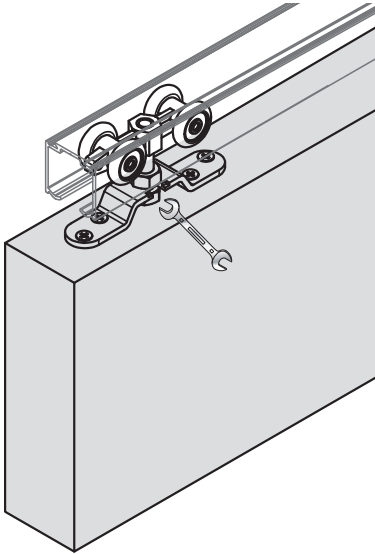
- 5** Mount center line of door hanger plates on center line of door as illustrated below. Insert hangers into track before installation of track. Hang door.



6 INSTALL & ADJUST DOORS

Attach bracket to hanger by lifting door and inserting adjusting bolt into slot until bolt head becomes seated. Align doors by turning adjusting bolt with wrench.

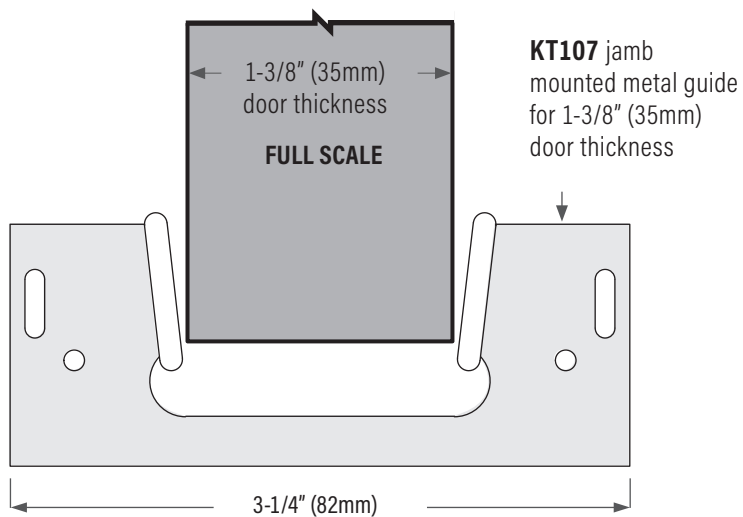
After final adjustment, tighten lock nut down to bracket as shown.



7 INSTALL FLOOR GUIDE

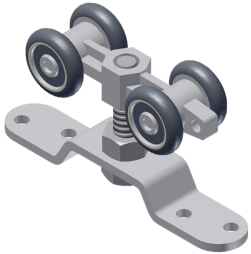
Nail steel/nylon guide KT107 to split jamb as shown, centering door in pocket.

NOTE: for 1-3/4" doors, cut out centre section of steel floor guide.



KT40PDF SERIES: SINGLE TRACK FOR POCKET FRAMES

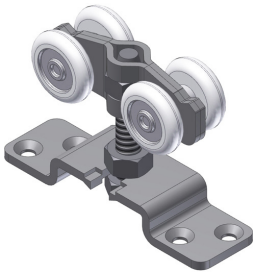
One Track, Two Hanger Choices:



KT38PDKIT for 1 door application:

KT38HANGER (2 ea) hangers, KT107 (1 ea) jamb mounted guide, KT155 (1 ea) wrench, installation sheet plus all screws. For biparting pocket doors order two kits (KT38PDKIT).

Residential, max door weight: 132 lbs. (60 kg) = 2 hangers

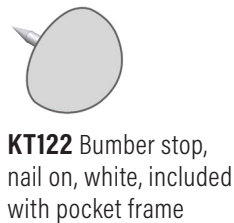
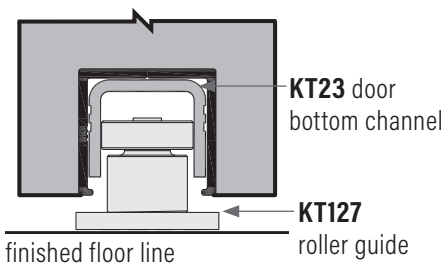
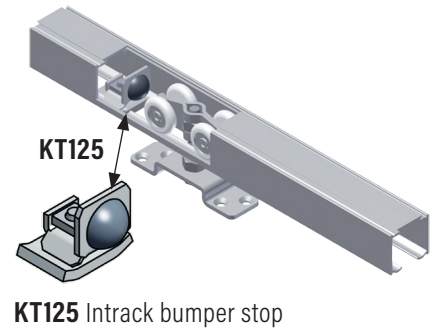
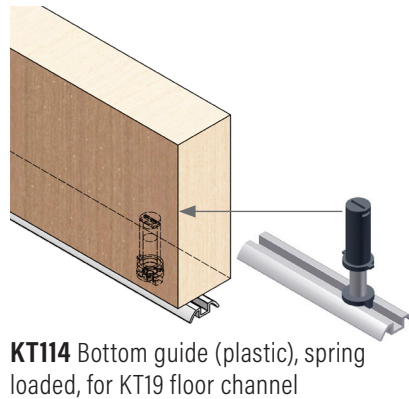
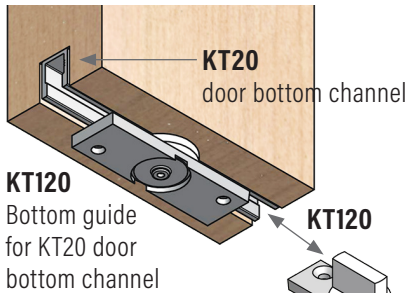


KT40PDKIT for 1 door application:

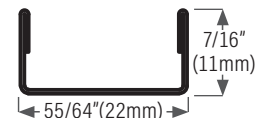
KT40HANGER (2 ea) hangers, KT107 (1 ea) jamb mounted guide, KT155 (1 ea) wrench, installation sheet plus all screws. For biparting pocket doors order two kits (KT40PDKIT).

Commercial, max door weight: 220 lbs. (100 kg) = 2 hangers

OPTIONS



Pocket Door Frame Stiffeners



KT81 steel stiffener, 81"
KT84 steel stiffener, 84"
KT96 steel stiffener, 96"

Head Office: Vancouver, Canada | Branch Offices & Manufacturing Centres: Toronto, Canada & Los Angeles, USA

Contact: www.KrisTrack.com | info@KrisTrack.com