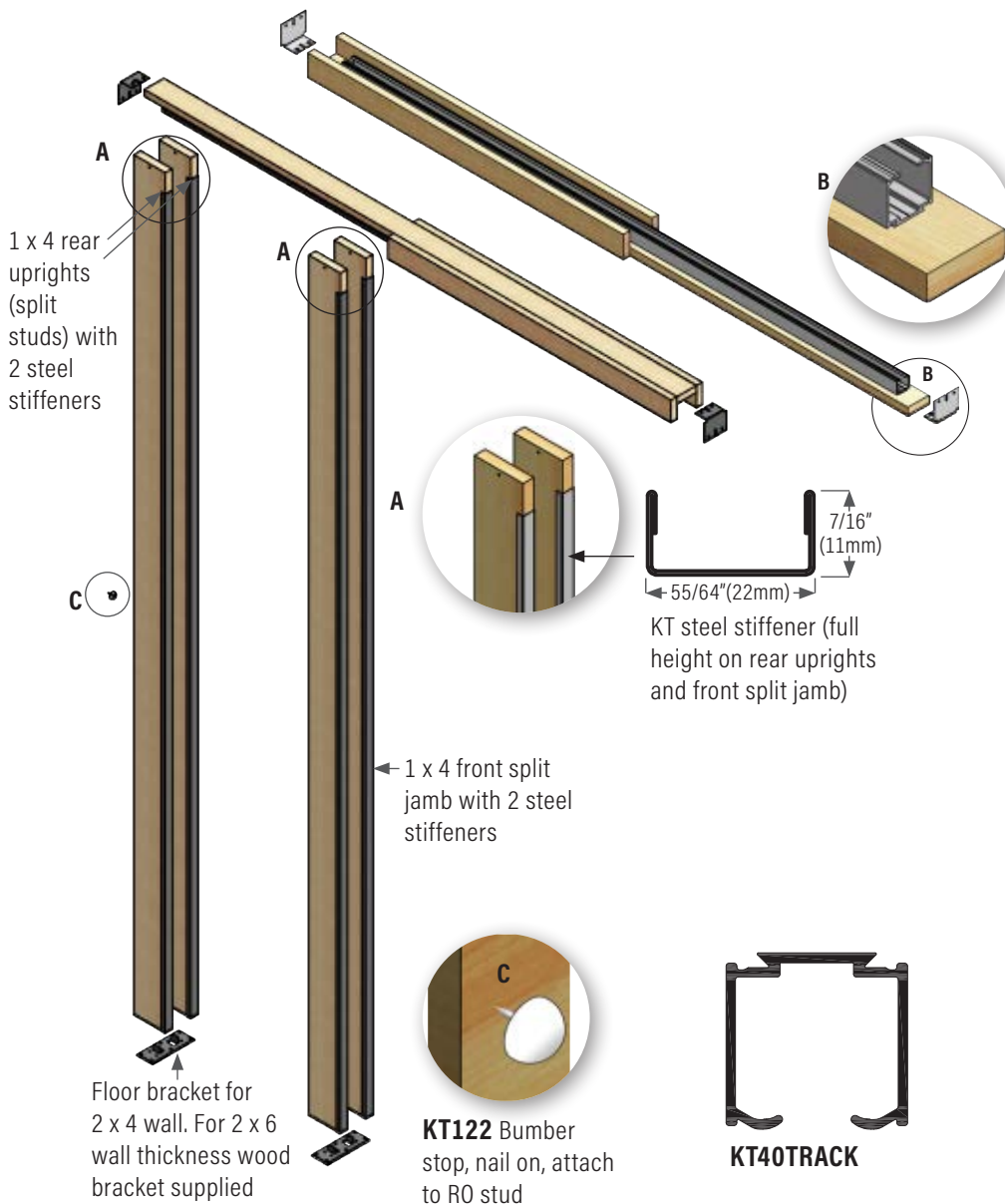


# KT1000 (2 x 4 Wall) / KT1100 (2 x 6 Wall) Series: Pocket in a Box

<b>ROUGH OPENING (RO)</b>	The width is calculated by multiplying the door width by two and adding 1" (25.4mm) IE: 36" x 2 = 72"; 72" + 1" = 73" opening (914mm x 2 = 1828mm); (1828mm + 25.4mm) Rough opening in height is 4-1/4" (108mm) more than door height.
<b>MIN &amp; MAX DOOR THICKNESS</b>	3/4" (19mm) to 1-3/8" (35mm)
<b>VERTICAL ADJUSTMENT</b>	3/8" (9.5mm)
<b>DOOR WIDTH &amp; HEIGHT</b>	Width: 24" (609mm) to 36" (914mm) / Height: Up to 80" (2032mm)
<b>TRACK</b>	Extruded aluminum, keyhole punched
<b>HANGER</b>	Steel construction zinc plated, 4 plastic wheels
<b>HARDWARE KIT</b>	included with pocket in a box

**NOTE:** After installing pocket frames, replace all track screws with #8 x 11/2" (38mm) screws (included), before drywall.

**FLAT JAMB, HEAD TRIM AND SPLIT JAMB TRIM NOT INCLUDED WITH THE KT1000 / KT1100 SERIES POCKET IN A BOX**



**KIT INCLUDES:**

Hangers (2 ea)

**KT122**  
Bumper stop, nail on (1 ea)

**KT107**  
Door guide (1 ea)

**KT155**  
wrench (1 ea)

**KT143** Floor bracket for KD pocket door frame split jamb (pocket in a box) (2 ea)

# KT1000 (2 x 4 Wall) / KT1100 (2 x 6 Wall) Series: Pocket in a Box

## One Track, Two Hanger Choices:



### KT1038PDKIT for 1 door application: (Hardware kit included with frame)

KT38HANGER (2 ea) hangers, KT107 (1 ea) jamb mounted guide, KT143 floor brackets (2 ea), KT122 nail on bumper stop (1 ea), KT155 (1 ea) wrench, installation sheet plus all screws. For biparting pocket doors two KT1038PDKIT required and two KT125 intrack door stops required.

**Residential, max door weight: 132 lbs. (60 kg) = 2 hangers**



### KT1040PDKIT for 1 door application: (Hardware kit included with frame)

KT40HANGER (2 ea) hangers, KT107 (1 ea) jamb mounted guide, KT143 floor brackets (2 ea), KT122 nail on bumper stop (1 ea), KT155 (1 ea) wrench, installation sheet plus all screws. For biparting pocket doors two KT1040PDKIT required and two KT125 intrack door stops required.

**Commercial, max door weight: 220 lbs. (100 kg) = 2 hangers**

## WHAT'S IN THE BOX: COMPONENT LIST

### Frame Kit

- 1 header with KT40TRACK
- 2 split stud 1 x 4
- 2 split jamb 1 x 4
- 4 galvanized steel stiffeners
- 1 fixed header end bracket
- 1 adjustable header end bracket

### Hardware Kit

- 2 hangers (4 wheels each)
- 1 jamb mounted door guide
- 1 nail on door bumper
- 2 floor brackets (jamb spacers)
- 1 wrench, screws & instructions

## POCKET IN A BOX - KT40TRACK

**For 4-9/16" wall (116mm), 1-3/8" (35mm) door thickness.**

**Flat jamb, head trim & split jamb not included.**

<b>KT1038-1</b>	2'-0" to 3'-0" x 6'-8"	132 lbs
<b>KT1038-2</b>	2'-0" to 3'-0" x 7'-0"	132 lbs
<b>KT1040-1</b>	2'-0" to 3'-0" x 6'-8"	220 lbs
<b>KT1040-2</b>	2'-0" to 3'-0" x 7'-0"	220 lbs

**For 4-5/8" to 7-1/4" (117.5 to 184mm) wall, 1-3/4" (44.45mm) door thickness.**

**Flat jamb, head trim & split jamb not included.**

<b>KT1138-1</b>	2'-0" to 3'-0" x 6'-8"	132 lbs
<b>KT1138-2</b>	2'-0" to 3'-0" x 7'-0"	132 lbs
<b>KT1140-1</b>	2'-0" to 3'-0" x 6'-8"	220 lbs
<b>KT1140-2</b>	2'-0" to 3'-0" x 7'-0"	220 lbs