

KT1200 (2 x 4 Wall) / KT1300 (2 x 6 Wall) Series: Pocket in a Box

ROUGH OPENING (RO) The width is calculated by multiplying the door width by two and add 1" (25.4mm)
 IE: 36" x 2 = 72"; 72" + 1" = 73" opening (914mm x 2 = 1828mm); (1828mm + 25.4mm)
 Rough opening in height is 4-1/4" (108mm) more than door height

MIN & MAX DOOR THICKNESS 3/4" (19mm) to 1-3/8" (35mm)

VERTICAL ADJUSTMENT 3/8" (9.5mm) for KT1250 & KT1258

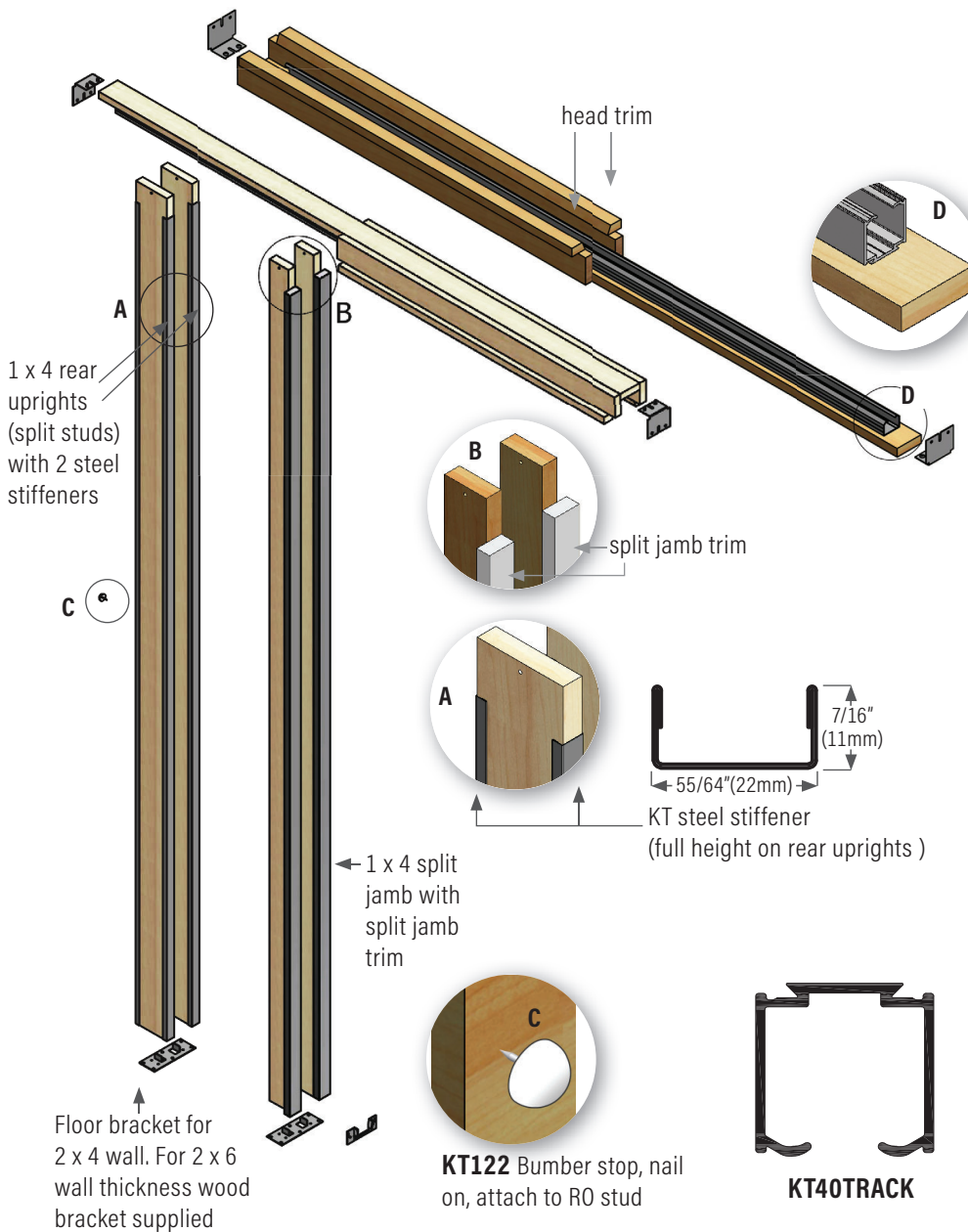
TRACK Extruded aluminum, keyhole punched

HANGER Steel construction zinc plated, 4 plastic wheels.

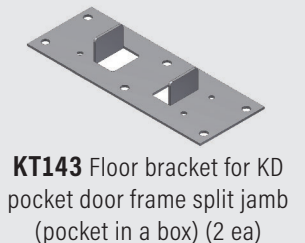
HARDWARE KIT Included in pocket in a box

NOTE: After installing pocket frames, replace all track screws with #8 x 11/2" (38mm) screws (included), before drywall.

HEAD TRIM AND SPLIT JAMB TRIM INCLUDED WITH THE KT1200 / KT1300 SERIES POCKET IN A BOX. FLAT JAMB NOT INCLUDED

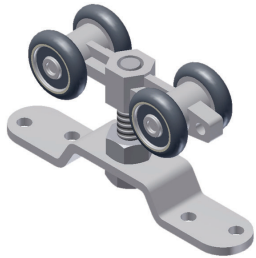


KIT INCLUDES:



KT1200 (2 x 4 Wall) / KT1300 (2 x 6 Wall) Series: Pocket in a Box

One Track, Three Hanger Choices:

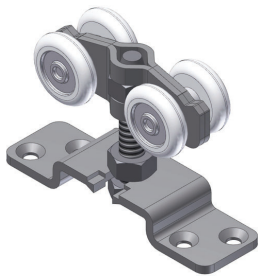


KT1038PDKIT for 1 door application: (Hardware kit included with frame)

KT38HANGER (2 ea) hangers, KT107 (1 ea) jamb mounted guide, KT143 floor brackets (2 ea), KT122 nail on bumper stop (1 ea), KT155 (1 ea) wrench, installation sheet plus all screws.

For biparting pocket doors two KT1038PDKIT required and two KT125 intrack door stops required.

Residential, max door weight: 132 lbs. (60 kg) = 2 hangers



KT1040PDKIT for 1 door application: (Hardware kit included with frame)

KT40HANGER (2 ea) hangers, KT107 (1 ea) jamb mounted guide, KT143 floor brackets (2 ea), KT122 nail on bumper stop (1 ea), KT155 (1 ea) wrench, installation sheet plus all screws.

For biparting pocket doors two KT1040PDKIT required and two KT125 intrack door stops required.

Commercial, max door weight: 220 lbs. (100 kg) = 2 hangers

WHAT'S IN THE BOX: COMPONENT LIST

Frame Kit

- 1 header with KT40TRACK
- 2 bevelled head trim
- 2 split stud 1 x 4
- 2 split jamb 1 x 4
- 2 split jamb trim
- 4 galvanized steel stiffeners
- 1 fixed header end bracket
- 1 adjustable header end bracket

Hardware Kit

- 2 hangers (4 wheels each)
- 1 jamb mounted door guide
- 1 nail on door bumper
- 2 floor brackets (jamb spacers)
- 1 wrench, screws & instructions

POCKET IN A BOX - KT40TRACK

For 4-9/16" wall (116mm), 1-3/8" (35mm) door thickness.

Includes head trim & split jamb.

KT1238-1	2'-0" to 3'-0" x 6'-8"	132 lbs
KT1238-2	2'-0" to 3'-0" x 7'-0"	132 lbs
KT1240-1	2'-0" to 3'-0" x 6'-8"	220 lbs
KT1240-2	2'-0" to 3'-0" x 7'-0"	220 lbs

For 4-5/8" to 7-1/4" (117.5 to 184mm) wall, 1-3/4" (44.45mm) door thickness. Includes split jamb.

KT1338-1	2'-0" to 3'-0" x 6'-8"	132 lbs
KT1338-2	2'-0" to 3'-0" x 7'-0"	132 lbs
KT1340-1	2'-0" to 3'-0" x 6'-8"	220 lbs
KT1340-2	2'-0" to 3'-0" x 7'-0"	220 lbs