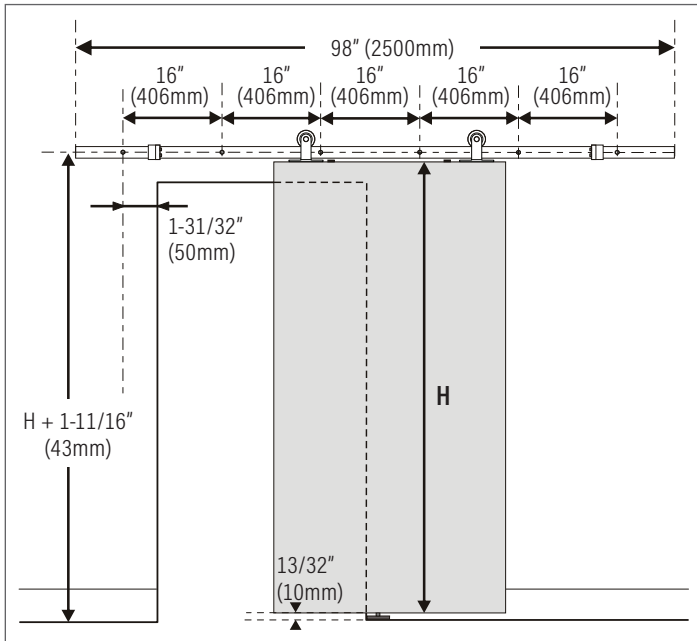
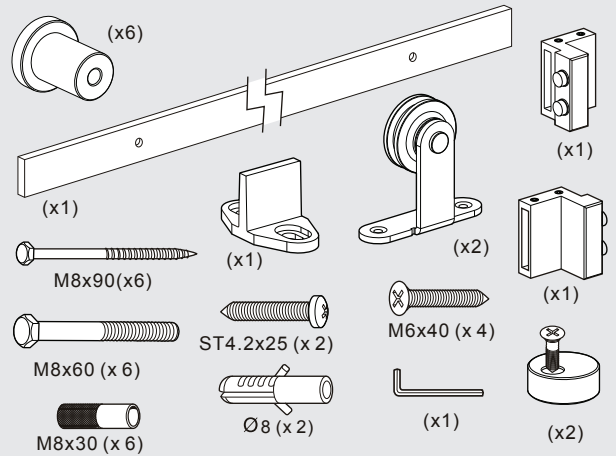




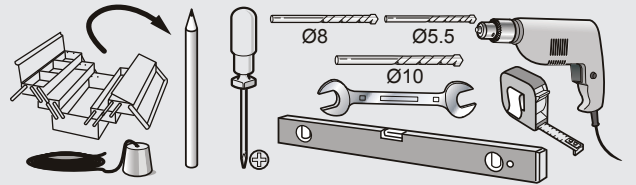
KrisTrack® A7 SERIES: Flat bar 98" (2500mm) & Topmount Hangers for Wood Doors



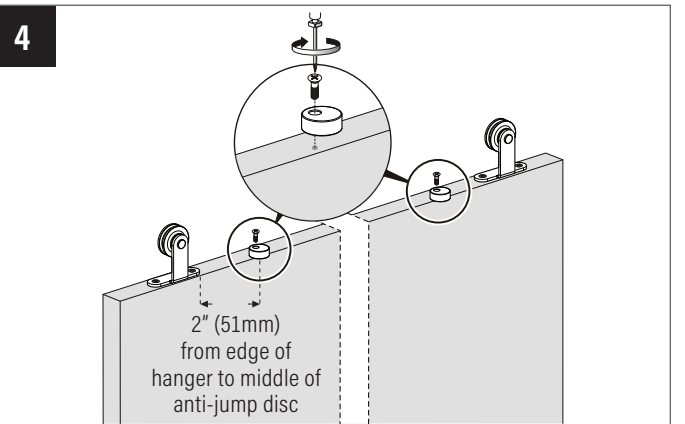
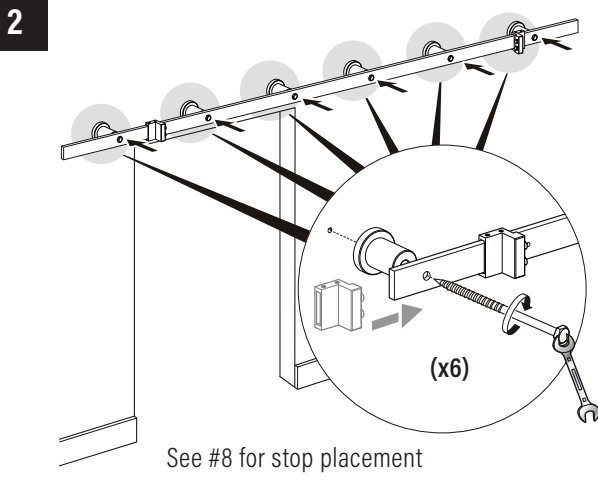
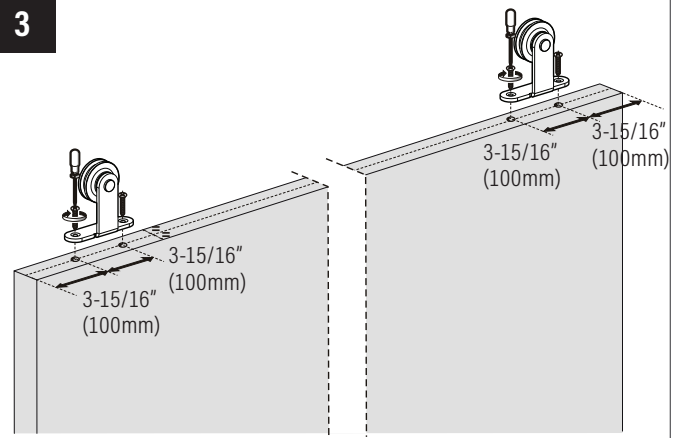
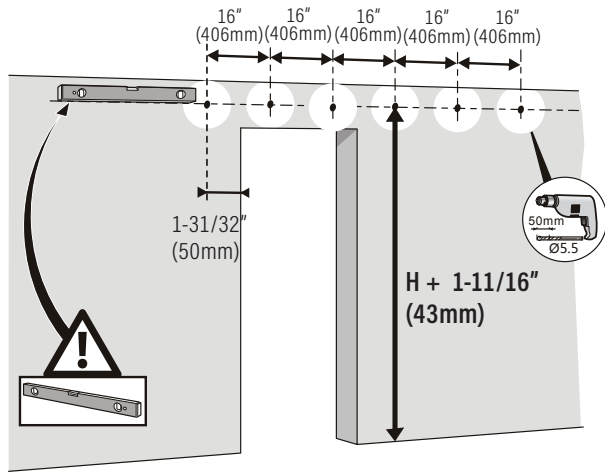
PARTS IN THE BOX



RECOMMENDED TOOLS



1 Confirm hole spacing on bar before drilling holes in wall.





Maximum weight per panel: 220 lbs (100 kg)

KrisTrack® A7 SERIES: Flat bar 98" (2500mm) & Topmount Hangers for Wood Doors

5 Groove bottom of door for floor mounted guide

KTA7GUIDE Floor guide, plastic

KT116 Optional jamb mounted guide

6

7

Placement of floor mounted guide is dependent on door and baseboard thickness and clearance from door to wall

8