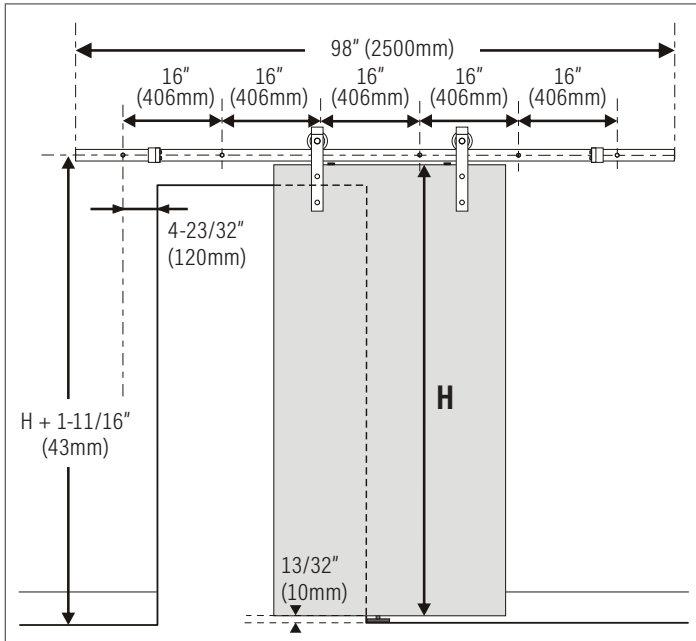
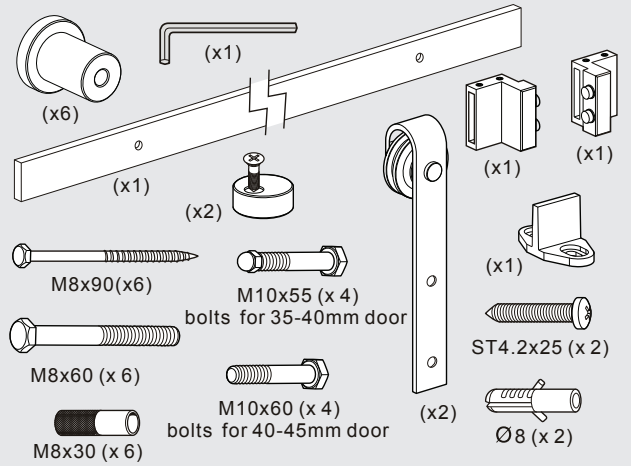


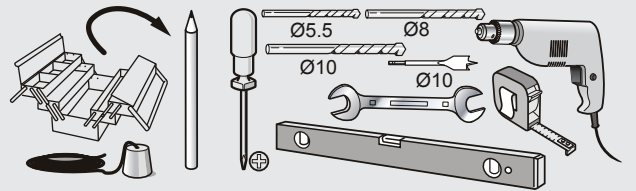
KrisTrack® A7 SERIES: Flat bar 98" (2500mm) & Facemount Hangers for Wood Doors



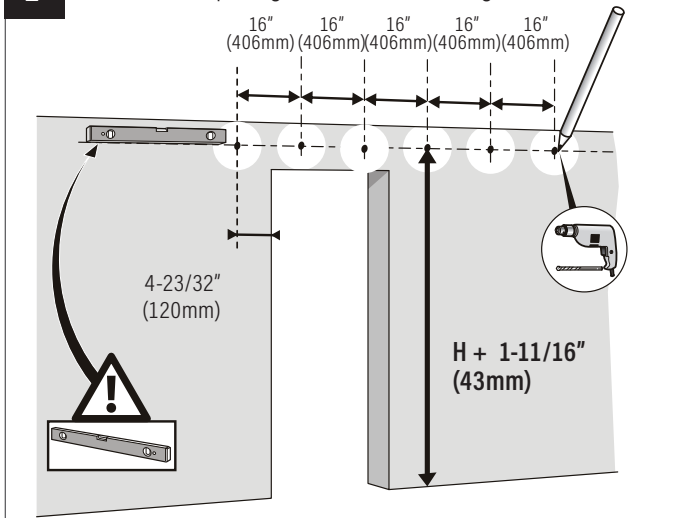
PARTS IN THE BOX



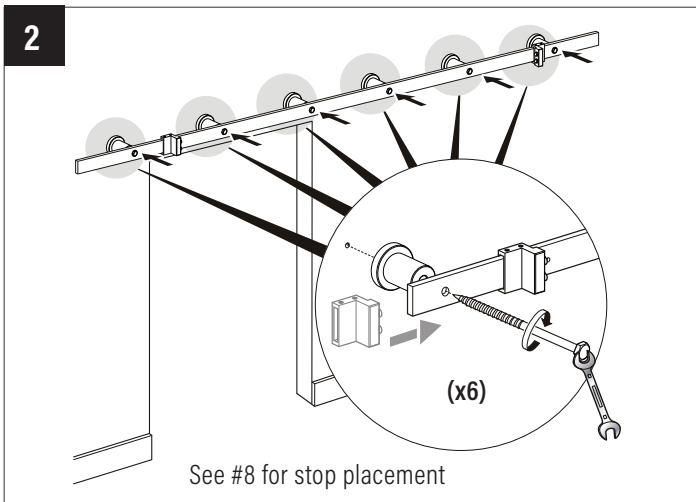
RECOMMENDED TOOLS



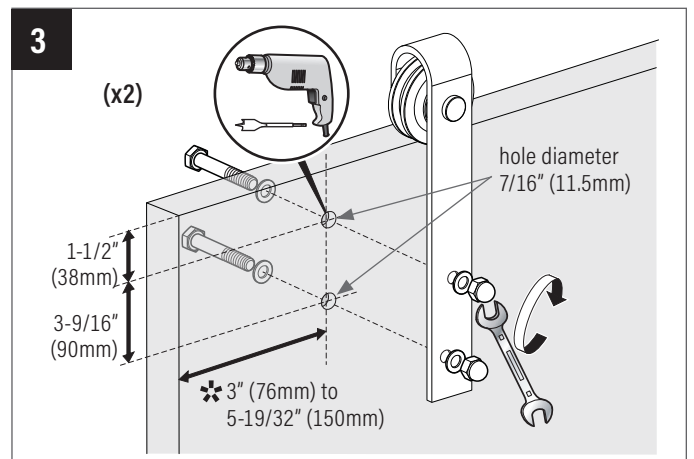
1 Confirm hole spacing on bar before drilling holes in wall.



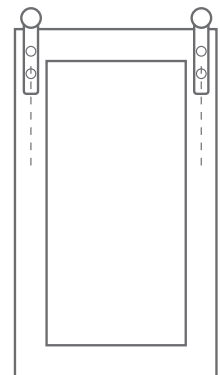
2



3



*Guideline measurement for all wood panel. For full lite glass door panel, mount hanger middle of door stile as shown.





KrisTrack® A7 SERIES: Flat bar 98" (2500mm) & Facemount Hangers for Wood Doors

