

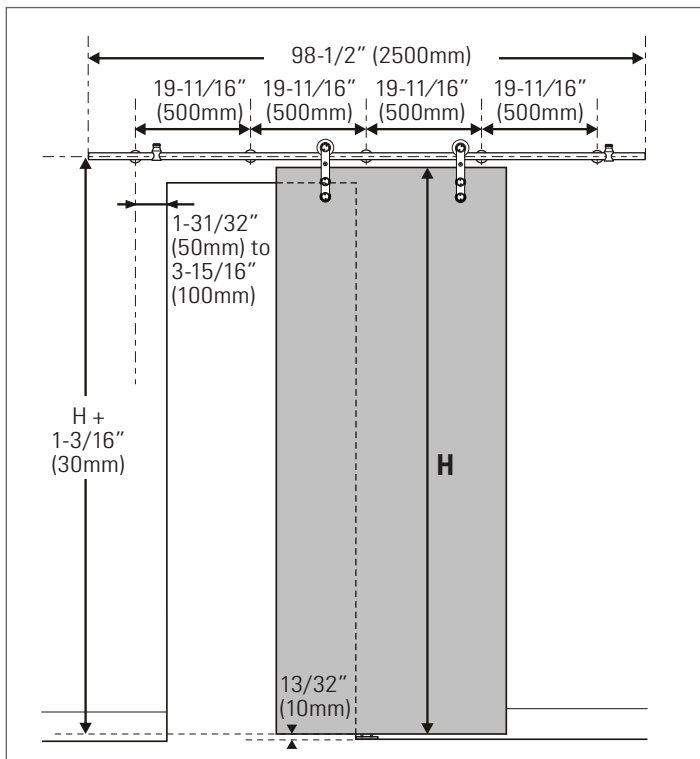


INSTALLATION INSTRUCTIONS

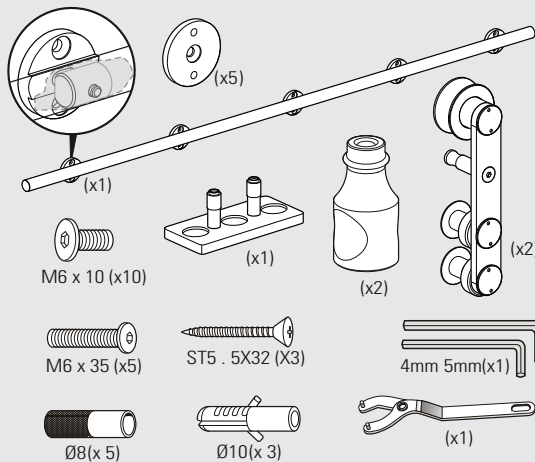
FOR KTA2SSBL98FMKIT OR KTA2SS98FMKIT

Maximum weight per panel: 210 lbs (95 kg)

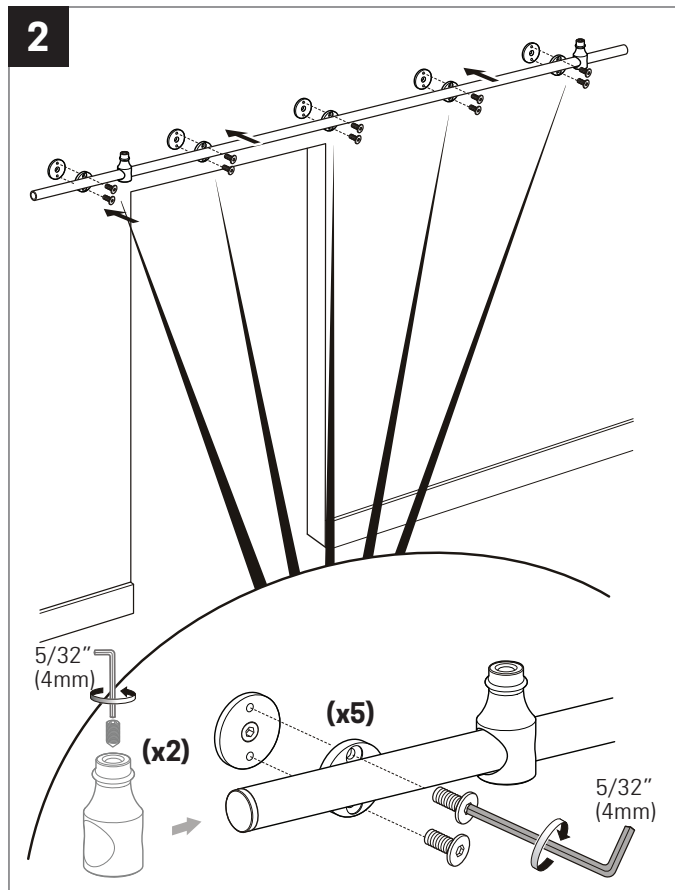
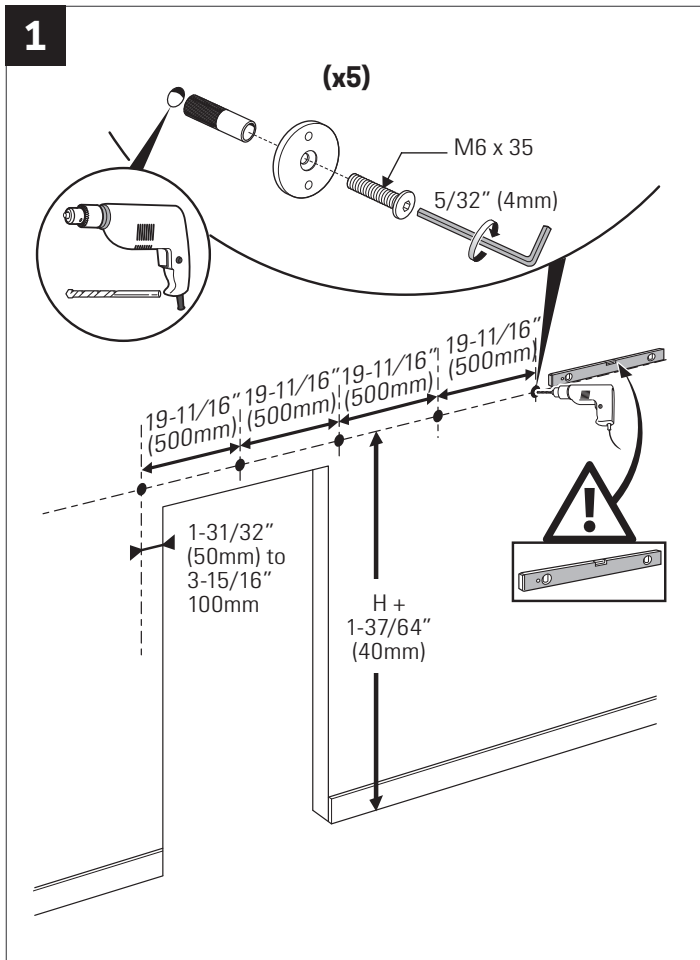
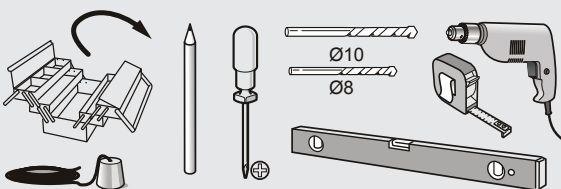
KristTrack® A2 Series: Round rail 98" (2500mm) & Facemount Hangers for Wood Doors

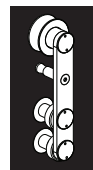


PARTS IN THE BOX



RECOMMENDED TOOLS





INSTALLATION INSTRUCTIONS

FOR KTA2SSBL98FMKIT OR KTA2SS98FMKIT

Maximum weight per panel: 210 lbs (95 kg)

KrisTrack® A2 Series: Round rail 98" (2500mm) & Facemount Hangers for Wood Doors

3

5/32" (4mm)

2 1-3/8" (35mm) thickness

hole diameter 5/8" (16mm)

1-25/32" (45mm)

2-5/32" (55mm)

3" (76mm) to 5-19/32" (150mm) *

(x2)

1 1-3/4" (45mm) thickness

hole diameter 5/8" (16mm)

1-25/32" (45mm)

2-5/32" (55mm)

3" (76mm) to 5-19/32" (150mm) *

(x2)

*Guideline measurement for all wood panel. For full lite glass door panel, mount hanger middle of door stile. (see drawing below)

groove bottom of door for floor mounted guide

9/32" (7mm)

25/32" (20mm)

KT116 Optional jamb mounted guide

4

5

(x2)

6

(x2)

Mount hanger middle of door stile

ALL DRAWINGS NO SCALE

Head Office & Manufacturing Centre - Vancouver, Canada

7470 Buller Avenue, Burnaby, B.C. V5J 4S5 Canada • info@theDSgroup.com

Ph: (604) 451-1080 • Fax: (604) 451-1140 • Outside Vancouver, BC use toll free numbers Ph: 1-888-520-9009 Fax: 1-800-567-2887

Branch Offices & Manufacturing Centres | Eclipse Architectural® Corporate Showrooms

Toronto, Canada & Los Angeles, USA

Vancouver & Toronto, Canada • Los Angeles, California, USA

THE DS GROUP IS THE BRAND IMAGE OF A.K. DRAFT SEAL LTD.