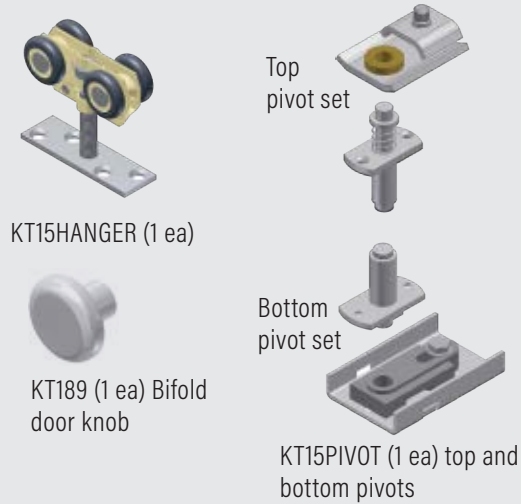
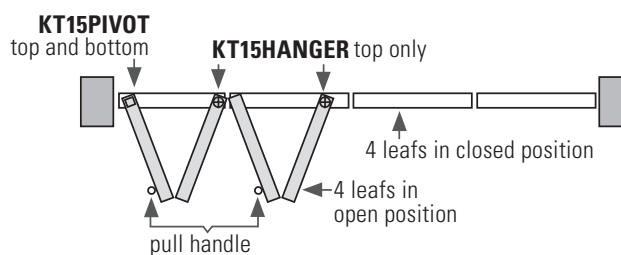
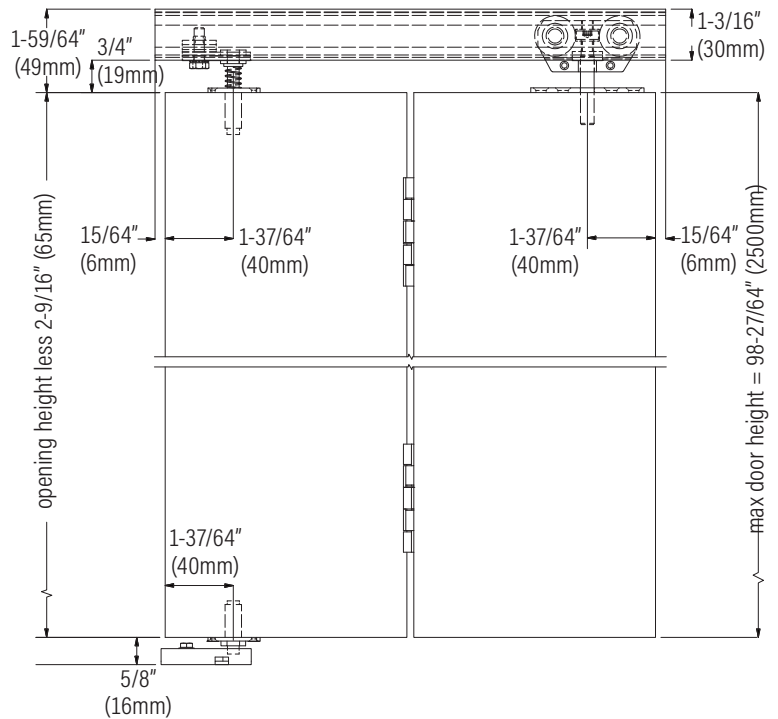
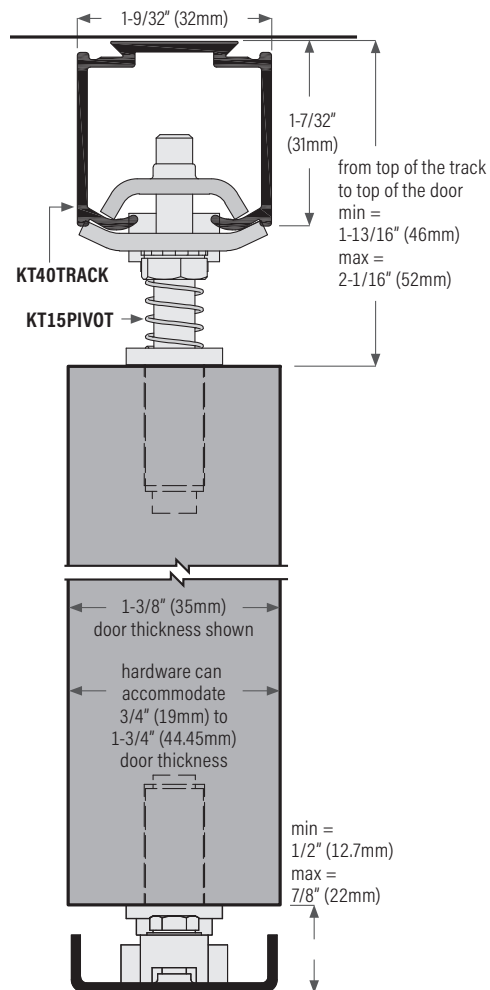
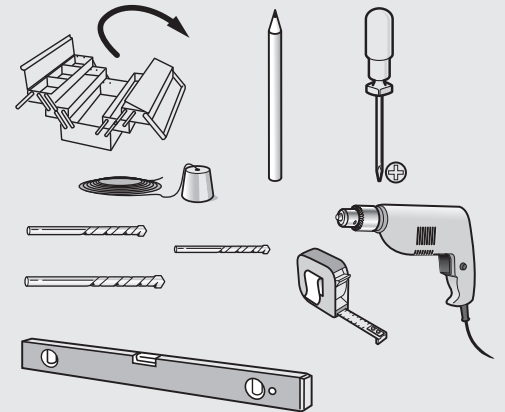


**KT15KIT-2L:** max door weight: 120 lbs (55kg) = 2 hangers

### PARTS IN THE BOX

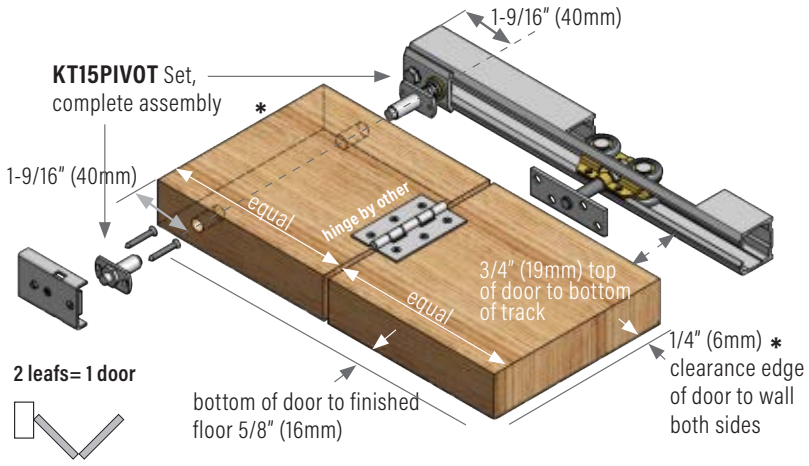


### RECOMMENDED TOOLS



1

Fit top and bottom pivots into holes and screw in long wood screws. Fit hanger with door plate surface mounted. Hinge doors together with 3 hinges per joint as shown below. Doors over 2100mm high will require 4 hinges per joint.



**NOTE:** For multiple leaves folding to one side use one KT15KIT-2L for the first 2 leaves and for each additional 2 leaves add one KT15HANGER & one KT189 bifold door knob.

Doors over 17-23/32" (450mm) wide or with weight in excess of 15kg need stabilizing with KT120 door guide fitted plumb under top hanger(s) and engaging KT20 floor channel. Minimum door thickness must be 1-3/16" (30mm). Not included in standard kits.

