

KT41 COMMERCIAL SERIES: Ceiling mount sliding door track & hardware

ARCHITECTURAL SPECIFICATIONS

MAXIMUM DOOR WEIGHT: 385 lbs (175 kg) = 2 hangers.

MIN & MAX DOOR THICKNESS: **Ceiling mount:** 1-3/8" (35mm), 1-3/4" (44.45mm) or 2-1/4" (57mm).
Wall mount: 1-3/8" (35mm) to 1-3/4" (44.45mm).

MAXIMUM CAPACITY: Width and height of the door may vary beyond standard sizes provided the weight of the door does not exceed the maximum weight listed above.

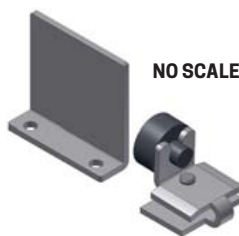
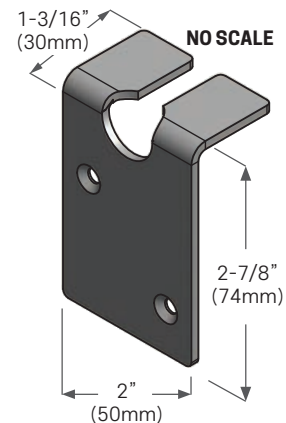
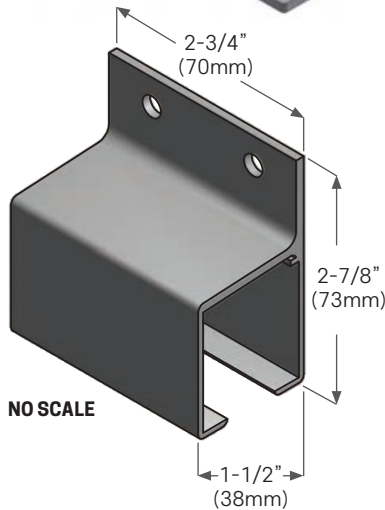
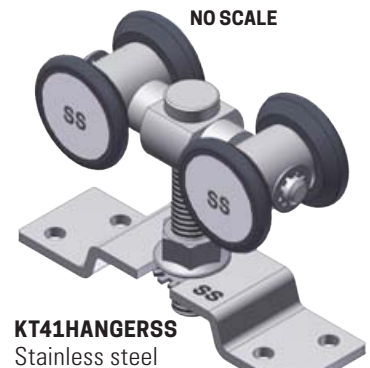
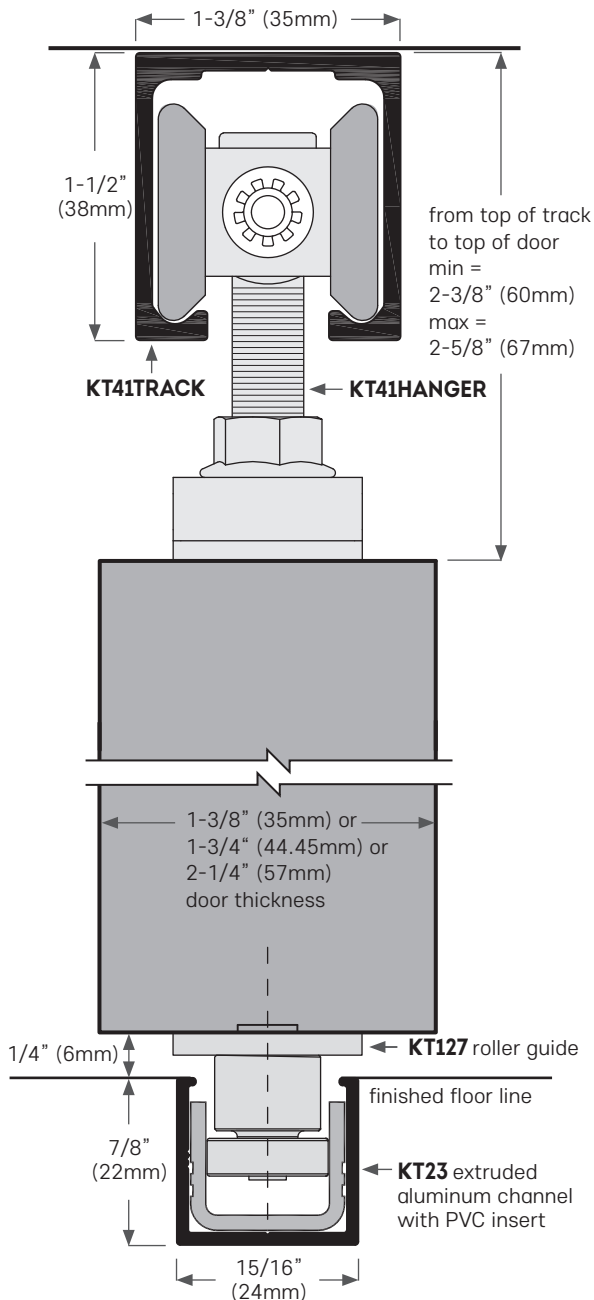
VERTICAL ADJUSTMENT: 1/4" (6mm).

TRACK: Extruded aluminum, clear or bronze anodized. 8 stock lengths available, refer to price list.

HANGER: Steel carrier, plated, 4 nylon wheels, ball bearing or
Stainless steel carrier, 4 nylon wheels, ball bearing.

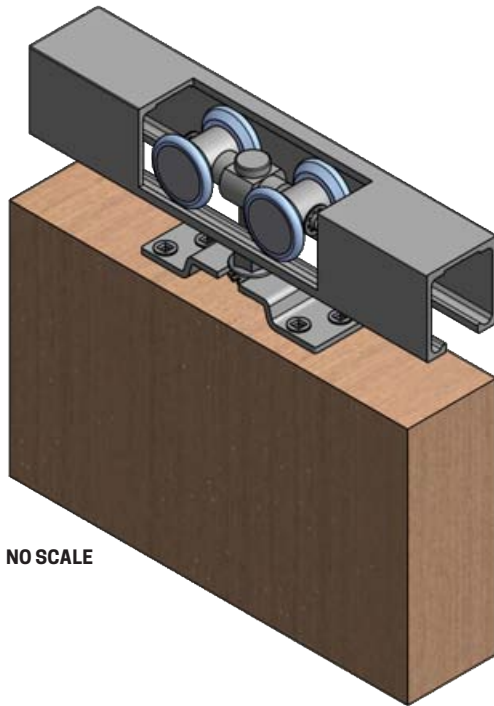
OPTIONS: KT23 floor channel extruded aluminum, bronze anodized with PVC insert, 7 stock lengths available, refer to price list. KT142 wall mount bracket. KT147 face door mount bracket.

HARDWARE KITS: KT41KIT for single door application, consists of (poly-bagged) KT41HANGER (2 ea) hangers, KT102 (2 ea) floor mounted guides, KT123 (1 ea) HD screw on bumper, installation sheet plus all screws. Wrench by other.

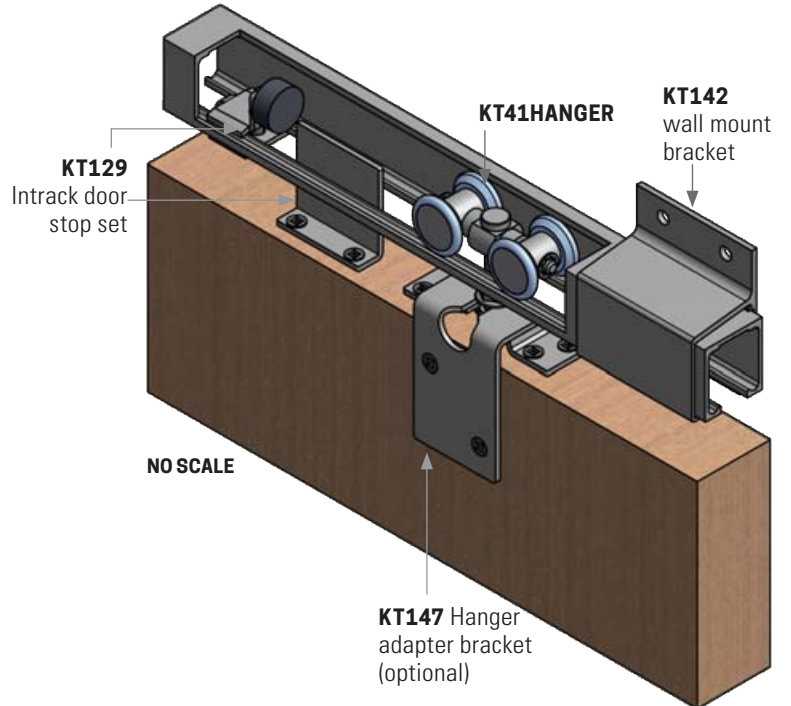


KT41 COMMERCIAL SERIES: Ceiling mount or Pocket door, sliding door track & hardware

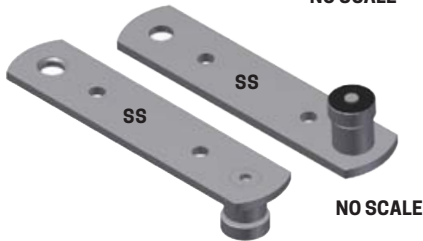
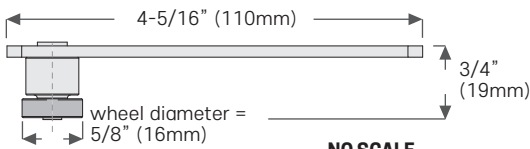
Ceiling mount application



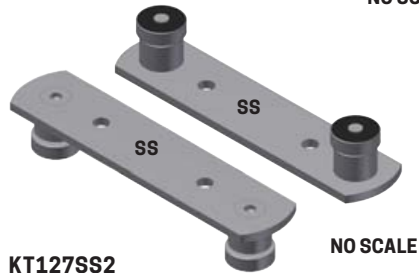
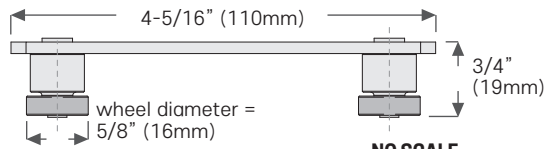
Wall mount application



Floor Mounted Or Bottom Of Door Mounted Roller Guide

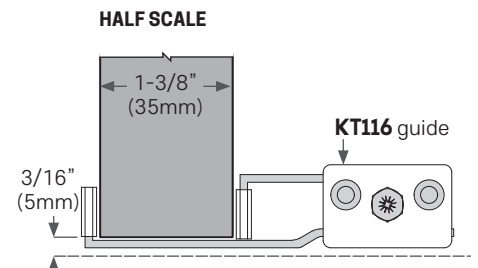
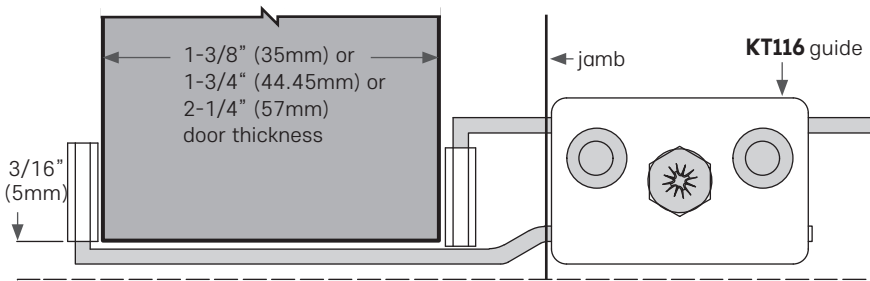


KT127SS1
Roller guide, single wheel, stainless steel



KT127SS2
Roller guide, double wheel, stainless steel

Jamb Mounted Guide



KT116 Adjustable bottom guide (metal & plastic), for doors up to 1-3/4" (45mm) thick