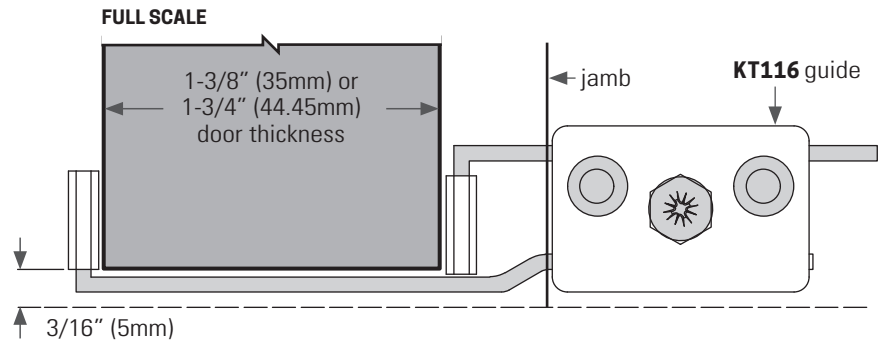
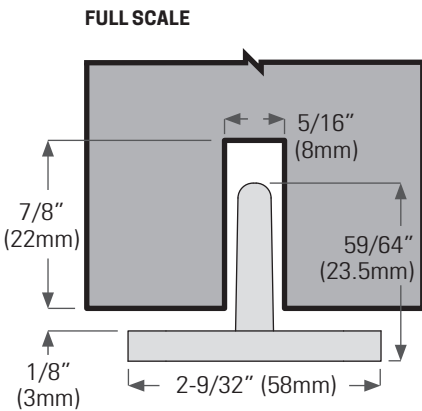


KTA2, KTA7 & KTA8 ACCESSORIES

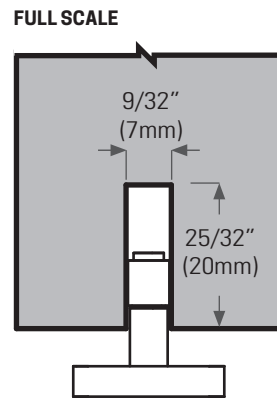
Bottom Guides



KT116 Adjustable bottom guide (metal & plastic), for doors up to 1-3/4" (45mm) thick



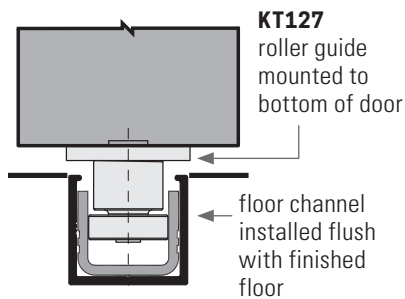
KT112 Floor guide, plastic, for wood doors



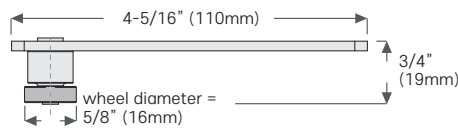
KTA2FGUIDESS Floor guide, brushed stainless steel finish
KTA2FGUIDESSBLACK black finish over stainless steel



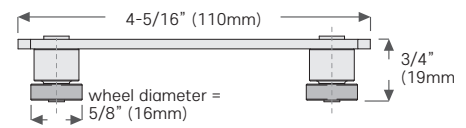
Optional Floor Channel & Floor Guide



KT23DV Floor channel bronze anodized with PVC insert. Lengths available: 36", 72", 111", 147", 183", 222", 294" (914mm, 1829mm, 2819mm, 3734mm, 4648mm, 5639mm, 7468mm)



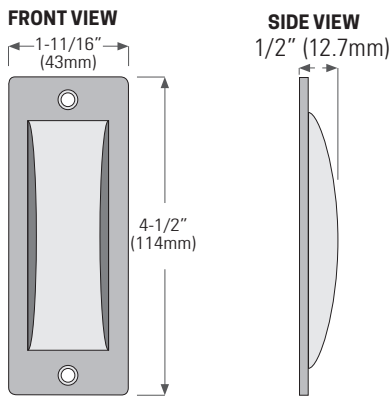
KT127SS1 Bottom guide, single roller (stainless steel) for floor channel or bottom door channel



KT127SS2 Bottom guide, single roller (stainless steel) for floor channel or bottom door channel

KTA2, KTA7 & KTA8 ACCESSORIES

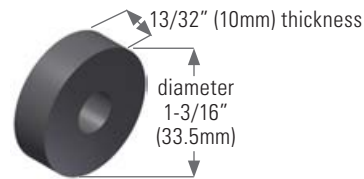
Flush Pulls



- KT174** flush pull mortise = 1-1/4" x 3-7/16"
- KT174BRZ** Flush pull, bronze
- KT174CH** polished chrome
- KT174DCH** dull chrome

Spacers

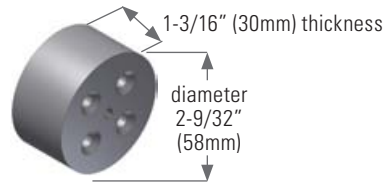
Note: Spacers not included with any KTA2, KTA7 or KTA8 kits, order separately.



- KTA8S10MSS** Spacer, brushed stainless steel
- KTA8S10MBSL** Black electro plating over stainless steel
- Use with KTA7 or KTA8 systems

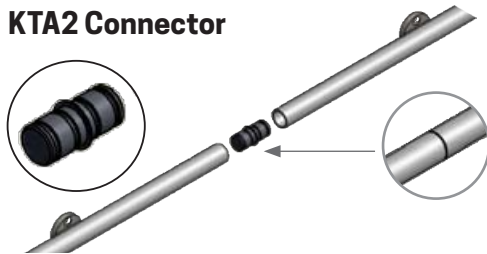


- KTS15SPACER** Spacer, brushed stainless steel
- Use with KTA2 systems



- KTS30SPACER** Spacer, brushed stainless steel
- Use with KTA2 systems

KTA2 Connector

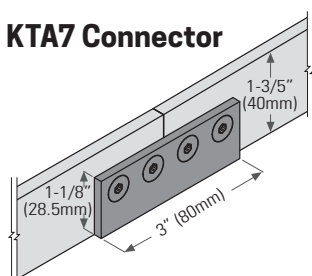


NOTE: For biparting double doors, 2 kits required plus one connector piece (KTA2RAILCONSS)

- KTA2RAILCONSS** Connector piece, brushed stainless steel, connects 2 pieces of track end to end.
- KTA2RAILCONSSBL** black finish over stainless steel.
- Order separately.



KTA7 Connector



- KTA7CONSS** Connector piece, stainless steel, connects 2 pieces of track end to end.
- KTA7CONBLACK** black finish over stainless steel

NOTE: For biparting double doors, 2 kits required plus one connector piece (KTA7CON)