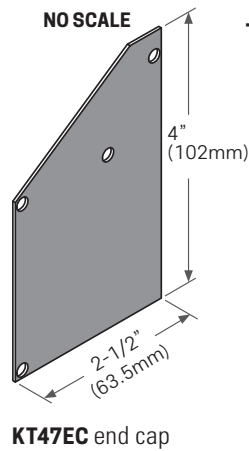
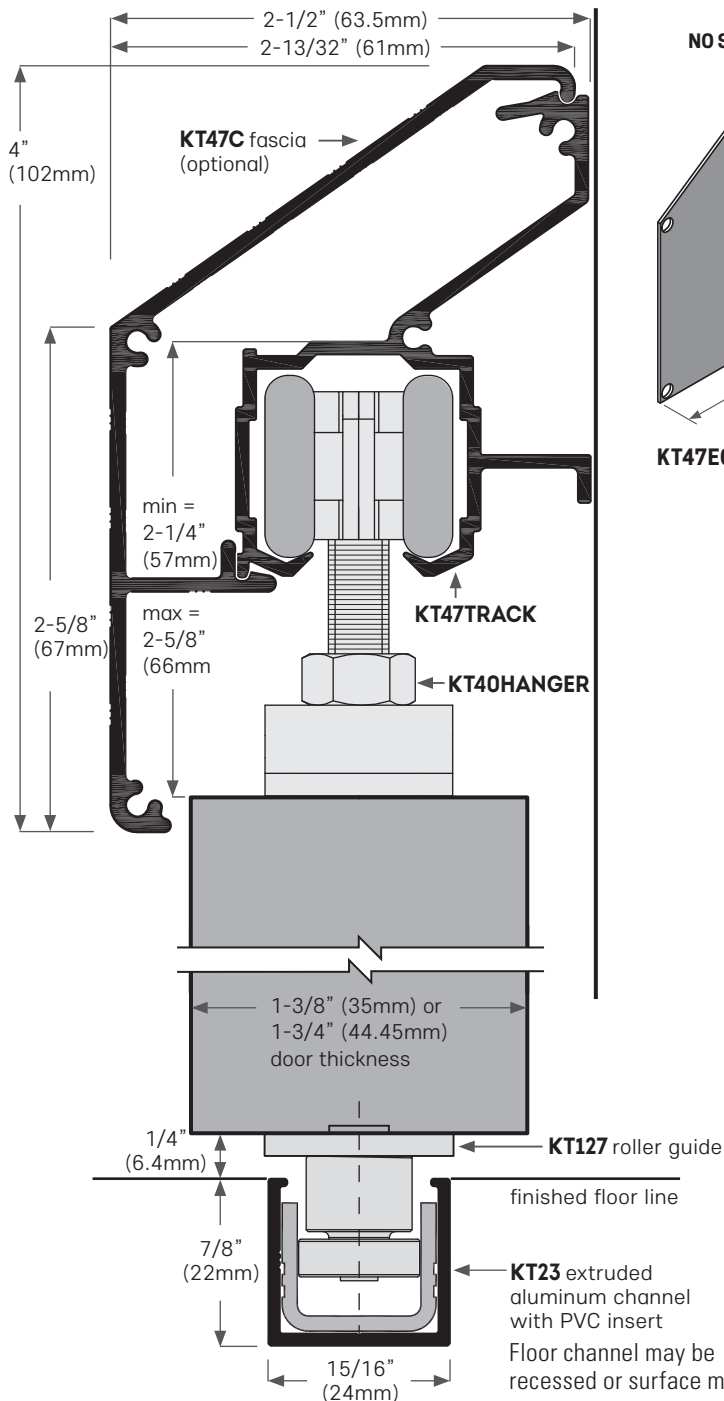


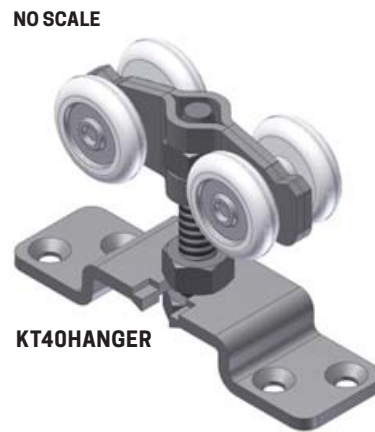
KT47 COMMERCIAL SERIES: Wall mount sliding door track, hardware & fascia

ARCHITECTURAL SPECIFICATIONS

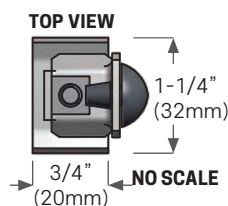
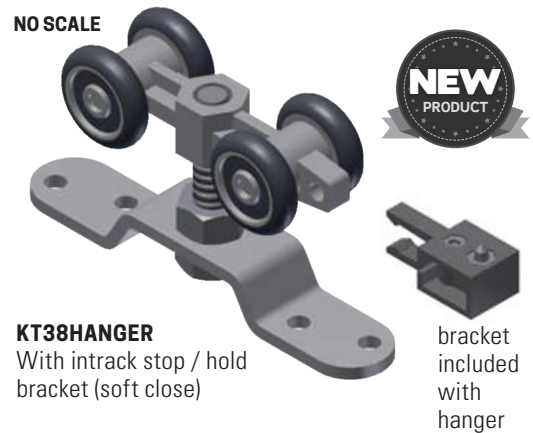
MAXIMUM DOOR WEIGHT:	KT40HANGER = 220 lbs (100 kg) = two hangers. NEW KT38HANGER = 132 lbs (60 Kg) = two hangers.
MIN & MAX DOOR THICKNESS:	1-3/8" (35mm) to 1-3/4" (44.45mm)
MAXIMUM CAPACITY:	Width and height of the door may vary beyond standard sizes provided the weight of the door does not exceed the maximum weight listed above
VERTICAL ADJUSTMENT:	3/8" (9.5mm)
TRACK:	Extruded aluminum, mill finish. 5 stock lengths available, refer to price list.
HANGER:	Steel carrier, zinc plated, 4 nylon wheels, ball bearing. Intrack stop included with KT38HANGER.
OPTIONS:	KT47C Fascia, extruded aluminum, clear anodized (standard) or custom colour. KT23 floor channel extruded aluminum, bronze anodized with PVC insert. 7 stock lengths available, refer to price list.
HARDWARE KITS:	KT40KIT for single door application: consists of KT40HANGER (2 ea) hangers, KT102 (2 ea) guides, KT157 (1 ea) wrench, installation sheet plus all screws.



Two Hanger Choices KT40HANGER or KT38HANGER



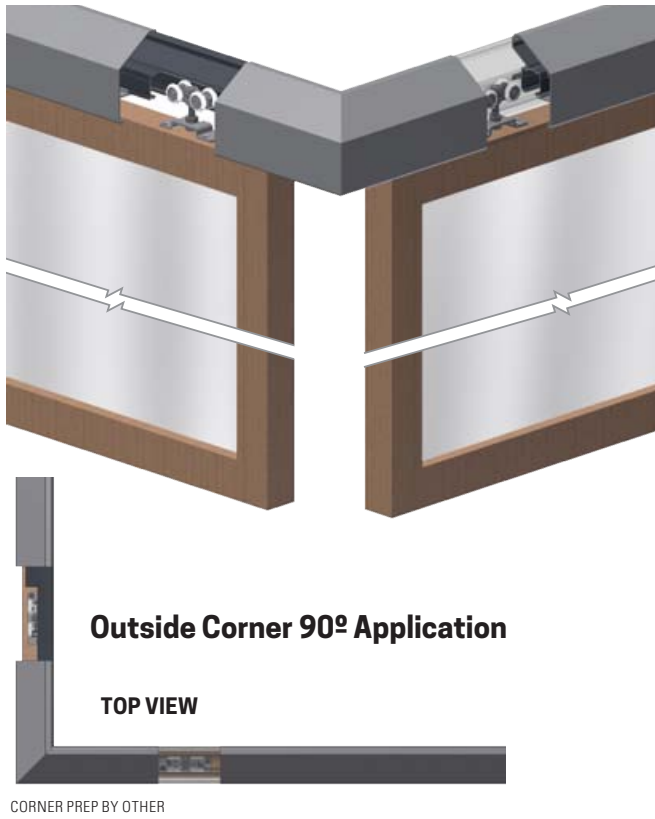
Refer to max door weight above for hanger capacity



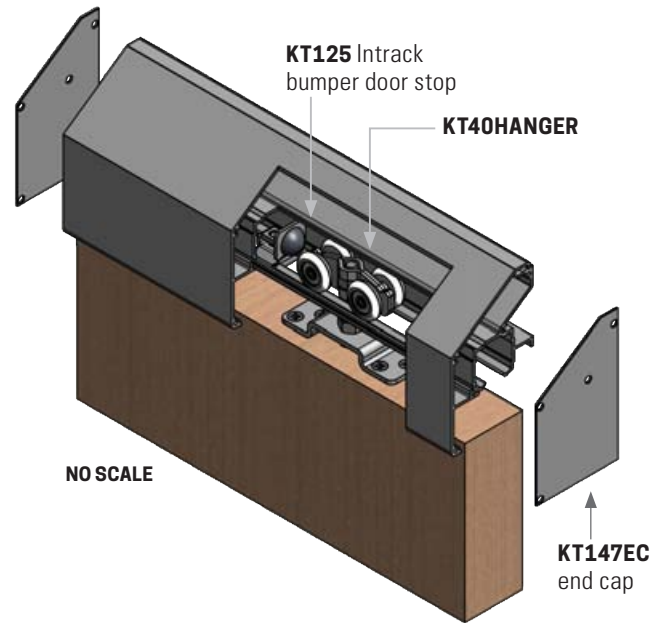
KT125 intrack bumper stop



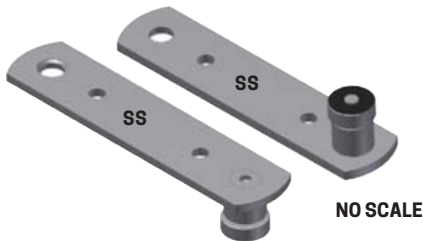
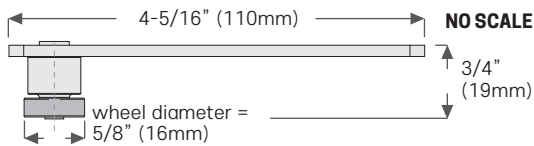
KT47 COMMERCIAL SERIES: Wall mount sliding door track, hardware & fascia



Single Sliding Door Application

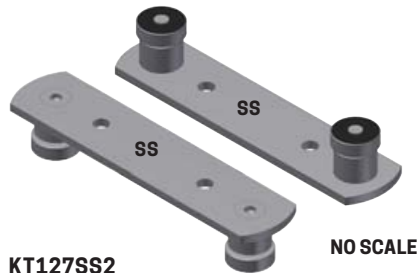
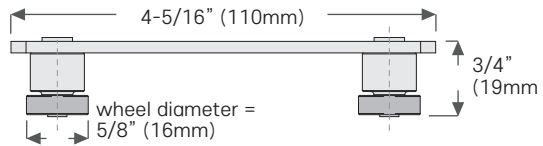


Floor Mounted Or Bottom Of Door Mounted Roller Guide



KT127SS1

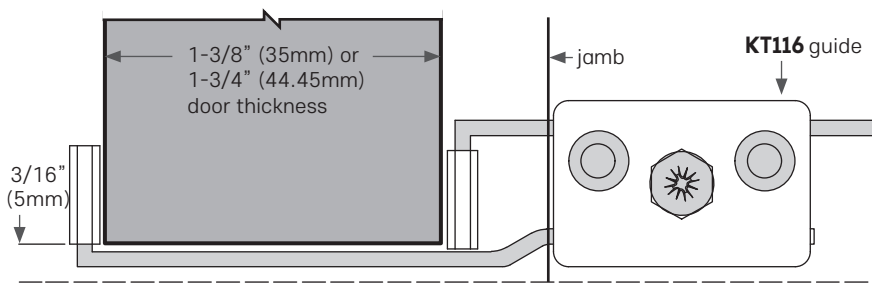
Roller guide, single wheel, stainless steel



KT127SS2

Roller guide, double wheel, stainless steel

Jamb Mounted Guide



KT116 Adjustable bottom guide (metal & plastic), for doors up to 1-3/4" (45mm) thick

