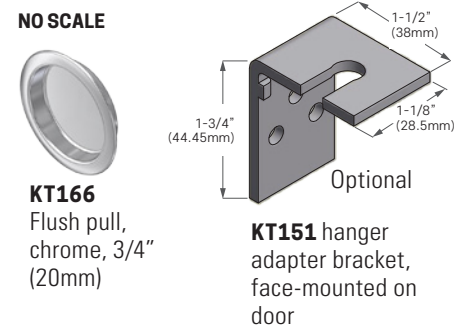
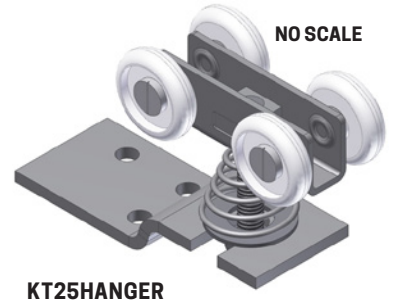
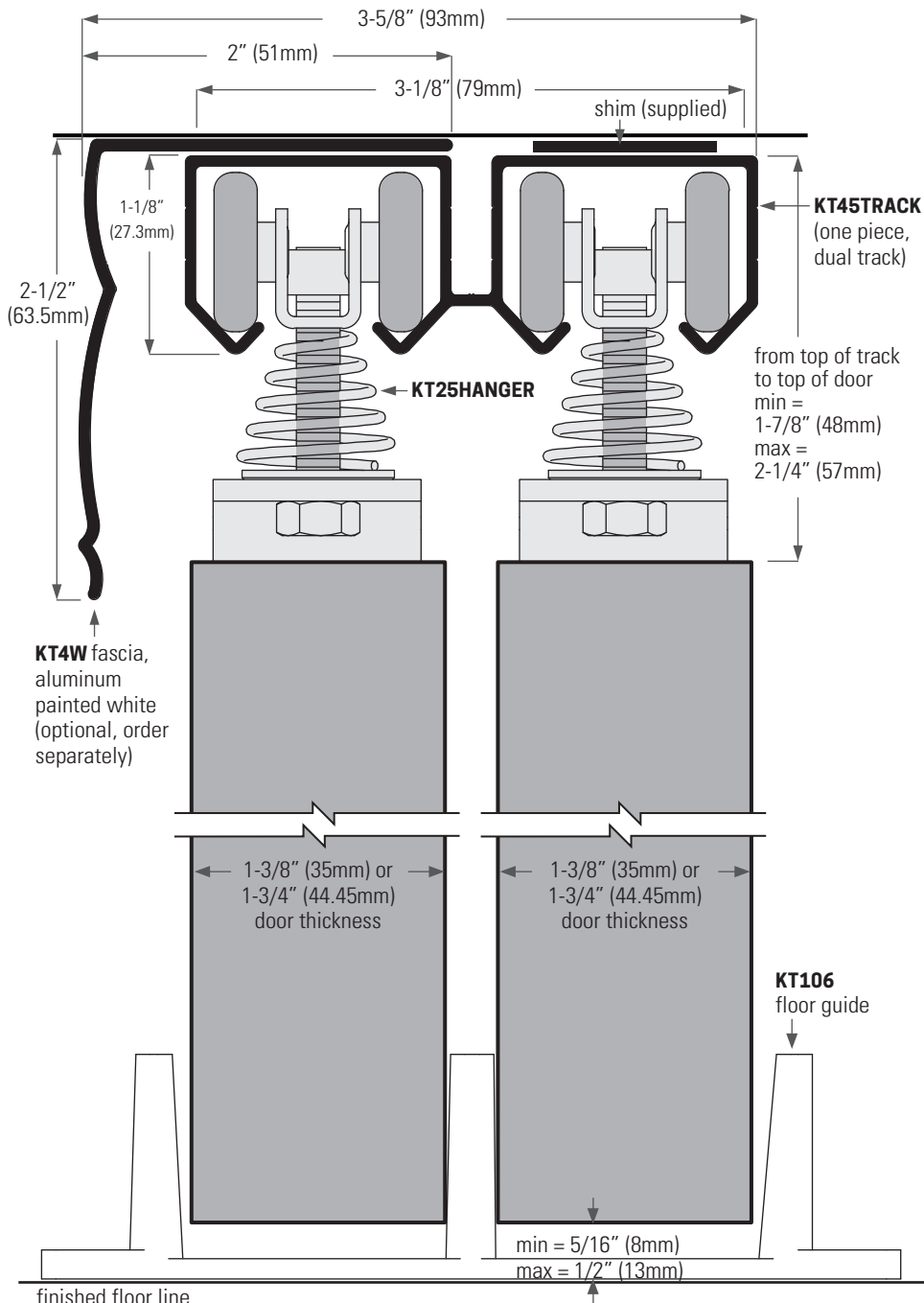


KT45 RESIDENTIAL SERIES: Bi-pass Door Track & Hardware

ARCHITECTURAL SPECS

MAXIMUM DOOR WEIGHT:	100 lbs (45 kg) = 2 hangers.
MIN & MAX DOOR THICKNESS:	1-3/8" to 1-3/4" (35mm to 44.45mm).
MAXIMUM CAPACITY:	Width and height of the door may vary beyond standard sizes provided the weight of the door does not exceed the maximum weight listed above.
VERTICAL ADJUSTMENT:	3/8" (9.5mm).
TRACK:	Extruded aluminum, mill finish. 8 stock lengths available, refer to price list.
HANGER:	Steel carrier, plated, 4 plastic wheels
OPTIONS:	KT4W Fascia extruded aluminum, painted white. KT20 extruded aluminum floor channel with KT120 swivel bottom guide, or KT119 plastic door bottom guide.
HARDWARE KITS:	KT45KIT for 2 door application, consists of (poly-bagged) KT25HANGER (4 ea) hangers, KT106 (1 ea) floor guide, KT166C (2 ea) chrome finger pulls, KT155 (1 ea) wrench, installation sheet plus all screws.



Optional bottom guiding

