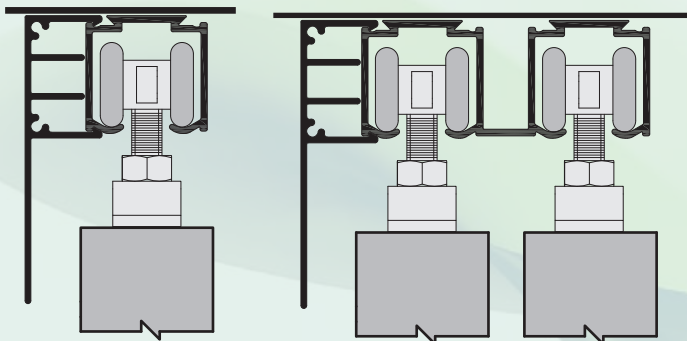
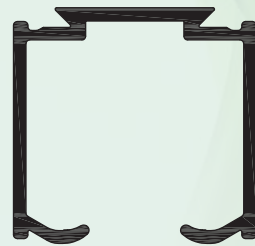
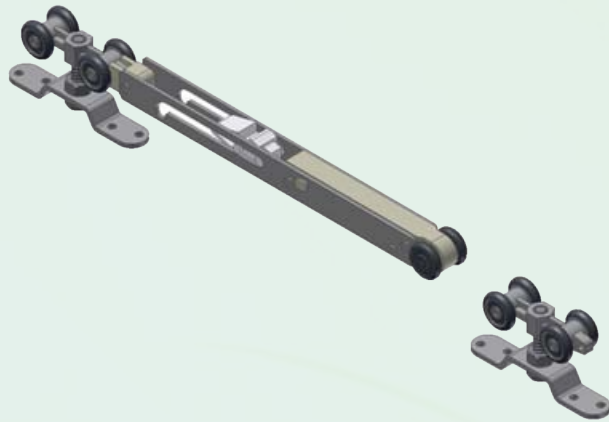


KrisTrack®
Track & Hardware Specialists



New KT40SC Series Ceiling or Wall Mount Track & Fascia With Soft Close Hardware

New KT40SC Series Pocket Door Frame Track with Soft Close Hardware

New KT50SC Series Ceiling Mount Bypass Track & Fascia With Soft Close Hardware

DSGroup®

www.theDSgroup.com

Tomorrow's Innovative Solutions for Today's Doors & Windows

The DS Group Of Companies: Draftseal®, Kristrack®, Eclipse Architectural® & DSD Hardware

KT40SC & KT50SC Series Track & Fascia With Soft Close Hardware • Revision (1) November 23, 2016

PRINTED BROCHURE MAY NOT BE UP TO DATE, ALWAYS REFER TO PRODUCT WEBSITE FOR MOST UP TO DATE CONTENT.

KT40SC RESIDENTIAL SERIES: Ceiling or wall mount sliding door track & hardware

ARCHITECTURAL SPECIFICATIONS

MAXIMUM DOOR WEIGHT: **OPTION 1: KT40SOFTCLOSEH1:** 80 lbs (36 kg) = 1 hanger, 1 soft close assembly. **MIN & MAX DOOR WIDTH:** 24" - 36" (610 - 914 mm)
OPTION 2: KT40SOFTCLOSEH2: 80 lbs (36 kg) = 2 soft close assemblies. **MIN & MAX DOOR WIDTH:** 32" - 36" (813 - 914 mm)

MAXIMUM CAPACITY: Width and height of the door may vary beyond standard sizes provided the weight of the door does not exceed the maximum weight listed above. When using max door width and height (36" x 84" / 914 x 2134mm) door may exceed maximum door weight of 80 lbs (36 kg)

VERTICAL ADJUSTMENT: 5/16" (8mm) **MIN & MAX DOOR THICKNESS:** 1-3/8" to 1-3/4" (35mm to 44.45mm) **MAX DOOR HEIGHT:** 84" (2134mm)

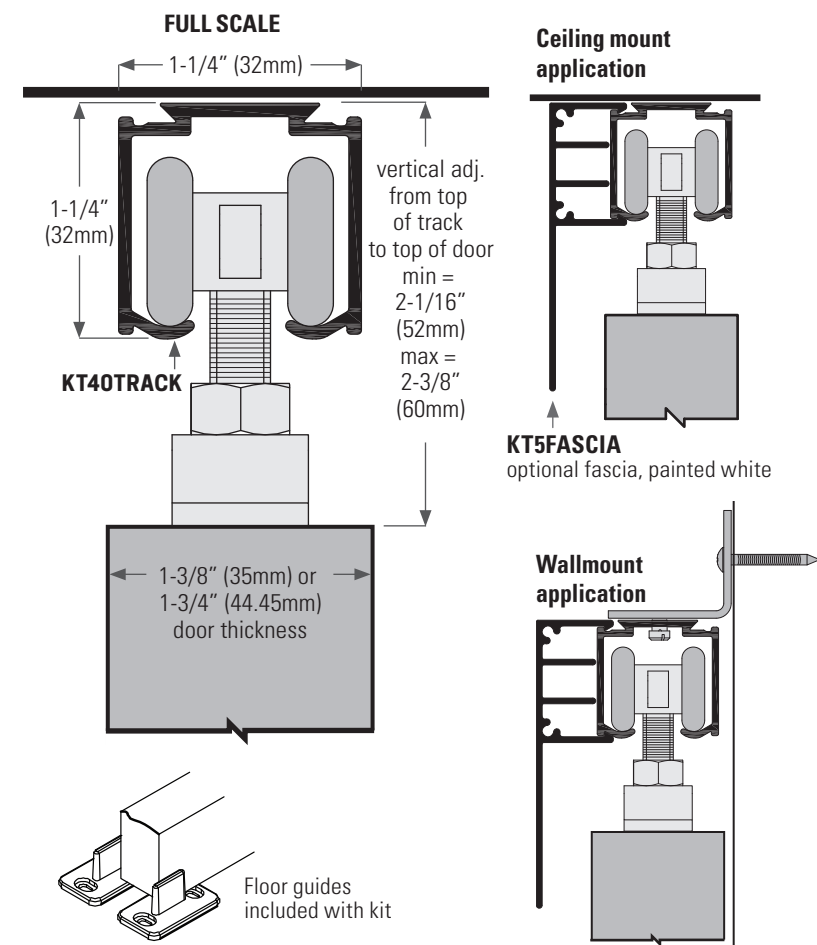
TRACK: Extruded aluminum, mill finish. 7 stock lengths available, refer to price list.

HANGER: Steel carrier, plated, 4 nylon wheels, ball bearing.

OPTIONS: KT5FASCIA, extruded aluminum painted white, 10 lengths available with end caps. KT23 floor channel extruded aluminum, bronze anodized with PVC insert, 7 stock lengths, refer to price list. Also available KT20 & KT19 floor channels.

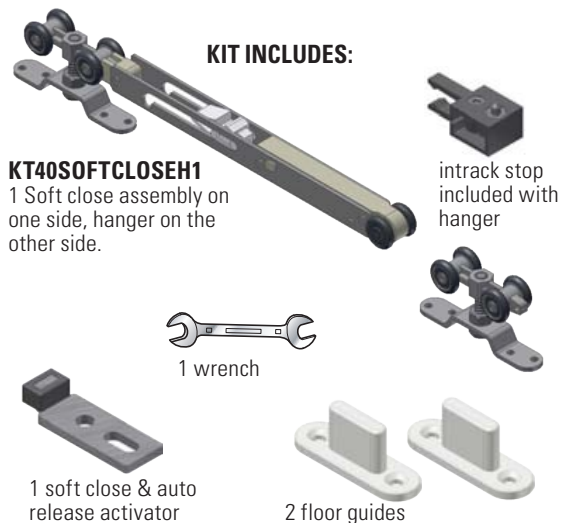
HARDWARE KITS: **KT40SOFTCLOSEH1:** consists of (1 ea) hanger, KT40SOFTCLOSE (1ea) soft close assembly, (1 ea) intrack stop, (2 ea) floor guides, (1 ea) soft close & auto release activator, (1 ea) wrench, installation sheet plus all screws.

KT40SOFTCLOSEH2: consists of (2 ea) KT40SOFTCLOSE soft close assemblies, (2 ea) floor guides, (2 ea) soft close & auto release activator, (1 ea) wrench, installation sheet plus all screws.

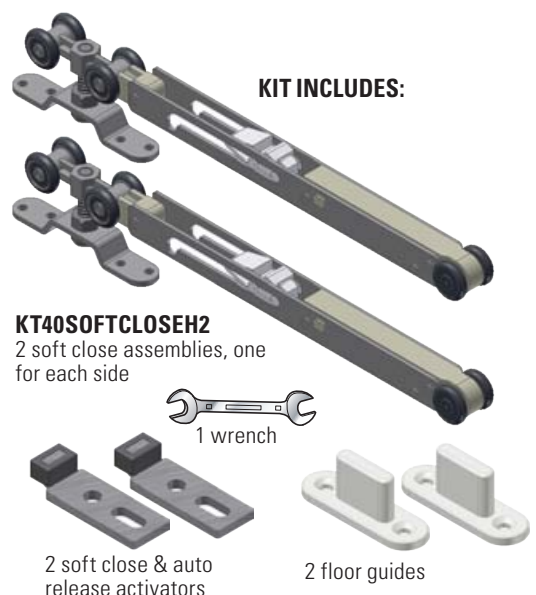


2 HANGER OPTIONS

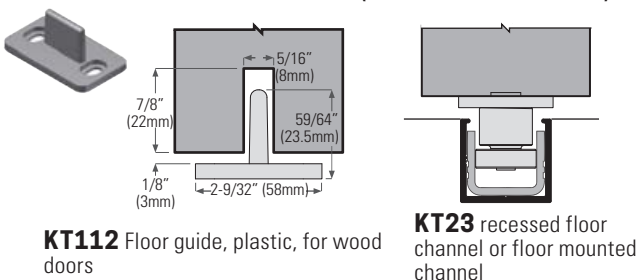
1 Min door width 24" (610mm) - Max 80 lbs (36 kg)



2 Min door width 32" (813mm) - Max 80 lbs (36 kg)



OPTIONAL FLOOR GUIDES (NOT INCLUDED IN KIT)

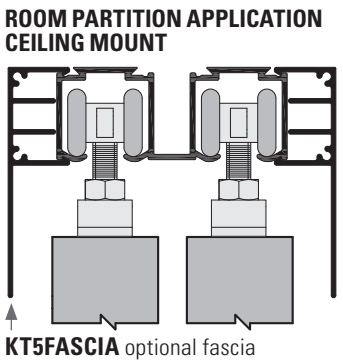
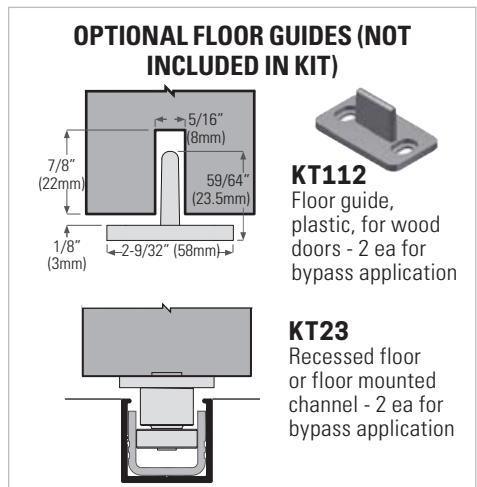
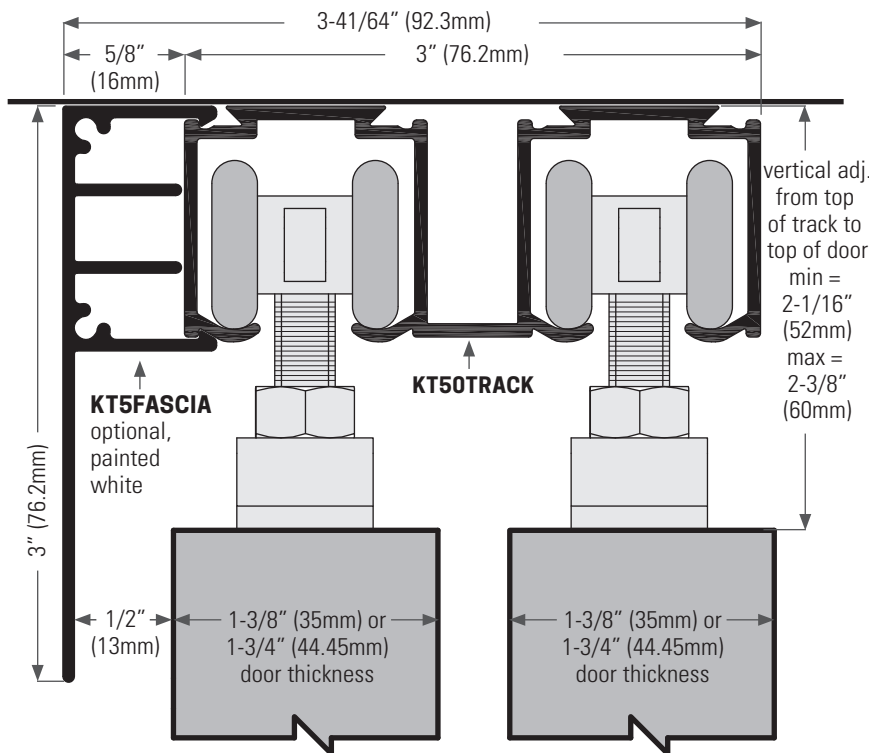


KT50SC RESIDENTIAL SERIES: Ceiling mount bypass sliding door track & hardware

ARCHITECTURAL SPECIFICATIONS

MAXIMUM DOOR WEIGHT:	OPTION 1: KT40SOFTCLOSEH1: 80 lbs (36 kg) = 1 hanger, 1 soft close assembly. MIN & MAX DOOR WIDTH: 24" - 36" (610 - 914 mm)
	OPTION 2: KT40SOFTCLOSEH2: 80 lbs (36 kg) = 2 soft close assemblies. MIN & MAX DOOR WIDTH: 32" - 36" (813 - 914 mm)
MAXIMUM CAPACITY:	Width and height of the door may vary beyond standard sizes provided the weight of the door does not exceed the maximum weight listed above. When using max door width and height (36" x 84" / 914 x 2134mm) door may exceed maximum door weight of 80 lbs (36 kg)
VERTICAL ADJUSTMENT:	5/16" (8mm) MIN & MAX DOOR THICKNESS: 1-3/8" to 1-3/4" (35mm to 44.45mm) MAX DOOR HEIGHT: 84" (2134mm)
TRACK:	Extruded aluminum, mill finish. 7 stock lengths available, refer to price list.
HANGER:	Steel carrier, plated, 4 nylon wheels, ball bearing.
OPTIONS:	KT5FASCIA, extruded aluminum painted white, 10 lengths available with end caps. KT23 floor channel extruded aluminum, bronze anodized with PVC insert, 7 stock lengths, refer to price list. Also available KT20 & KT19 floor channels.
HARDWARE KITS:	KT40SOFTCLOSEH1: consists of (1 ea) hanger, KT40SOFTCLOSE (1ea) soft close assembly, (1 ea) intrack stop, (2 ea) floor guides, (1 ea) soft close & auto release activator, (1 ea) wrench, installation sheet plus all screws. KT40SOFTCLOSEH2: consists of (2 ea) KT40SOFTCLOSE soft close assemblies, (2 ea) floor guides, (2 ea) soft close & auto release activator, (1 ea) wrench, installation sheet plus all screws.

CLOSET APPLICATION CEILING MOUNT (FULL SCALE)



2 HANGER OPTIONS

1 Min door width 24" (610mm) - Max 80 lbs (36 kg)

KIT INCLUDES:

KT40SOFTCLOSEH1
1 Soft close assembly on one side, hanger on the other side.

1 wrench

1 soft close & auto release activator

2 floor guides

intrack stop included with hanger

2 Min door width 32" (813mm) - Max 80 lbs (36 kg)

KIT INCLUDES:

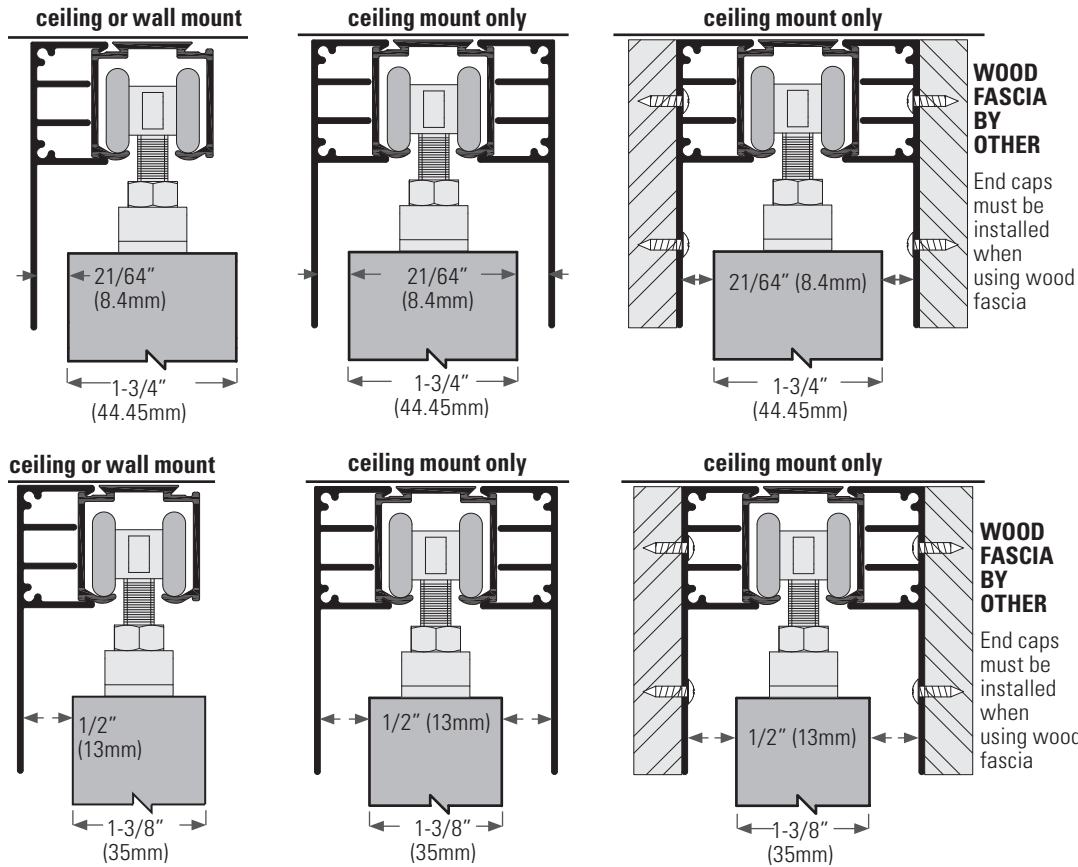
KT40SOFTCLOSEH2
2 soft close assemblies, one for each side

1 wrench

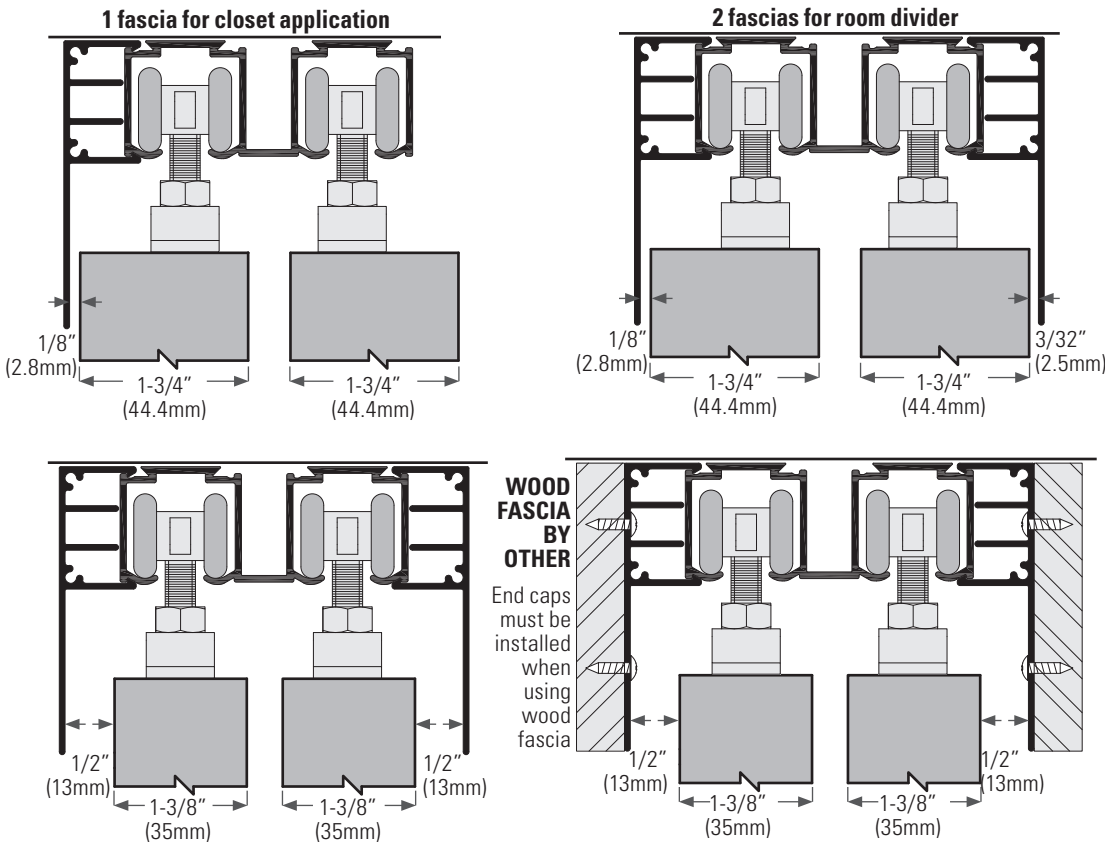
2 soft close & auto release activators

2 floor guides

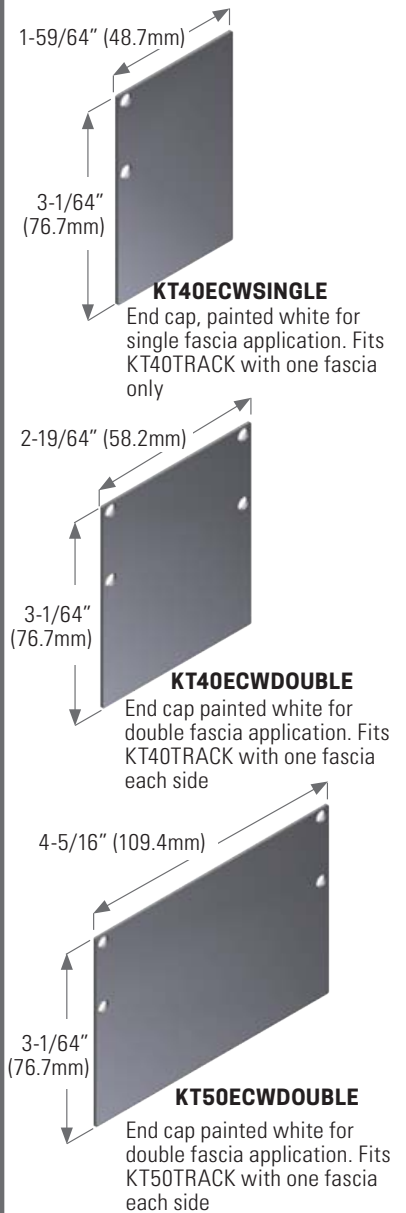
KT40SC WITH FASCIA OPTIONS



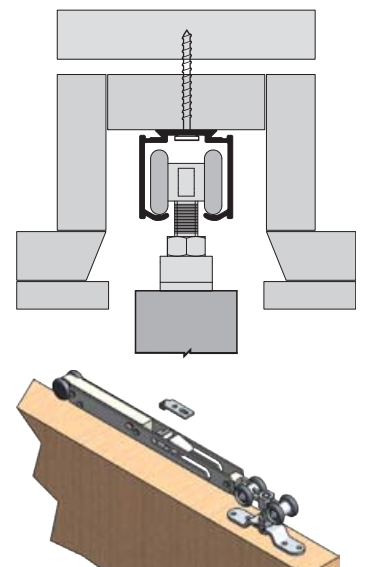
KT50SC CEILING MOUNT WITH FASCIA OPTIONS



END CAP SELECTION



POCKET DOOR APPLICATION WITH SOFT CLOSE



WHAT IS NOT COVERED BY OUR WARRANTY

Other than manufacturing defects, our warranty excludes all other defects in KrisTrack products, including defects caused or contributed in whole or in part by, abuse, misuse or neglect.